

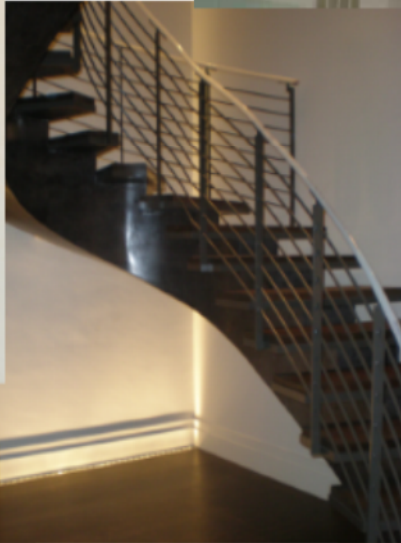
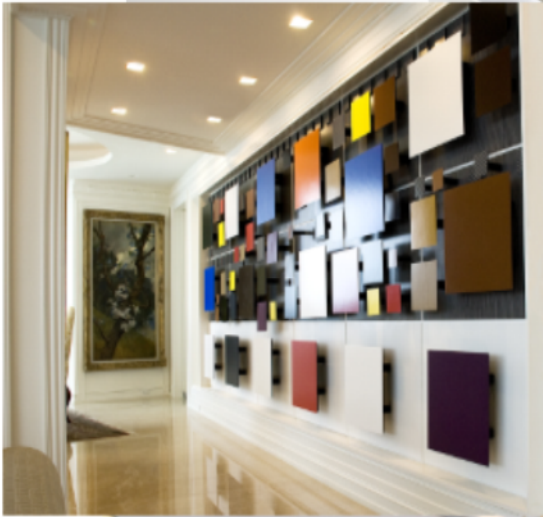
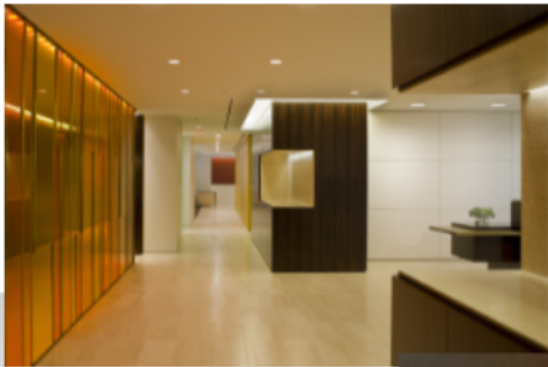


**SPECIALTY LIGHTING
INDUSTRIES, INC.**

International Fixture **2014** Collection

Specialty Lighting Industries, Inc.
1306 Doris Avenue
Ocean, NJ 07712 USA
www.specialtylightingindustries.com
732-517-0800

flawless





Single lamp, low-voltage halogen, recessed accent light with conical trim 50mm aperture and optional glass diffuser.

TYPE: _____

JOB: _____

SPECIFIER: _____

SPECIFICATIONS

HOUSING - Precision die-cast ceiling collar with integral mud ring and screed edge.

MOUNTING - Install from below in sheetrock or plaster.

ELECTRICAL - Integral terminal block for connection to adjacent transformer supplied by others.

LAMP - MR-16, 50w max. supplied by others.

LABELS - CE IP20, IP54 with Shower Trim

SOCKET - Auto-locking, hot aiming precision die-formed aluminum yoke. G4/G6 ceramic socket with high temperature, teflon coated lead wires.

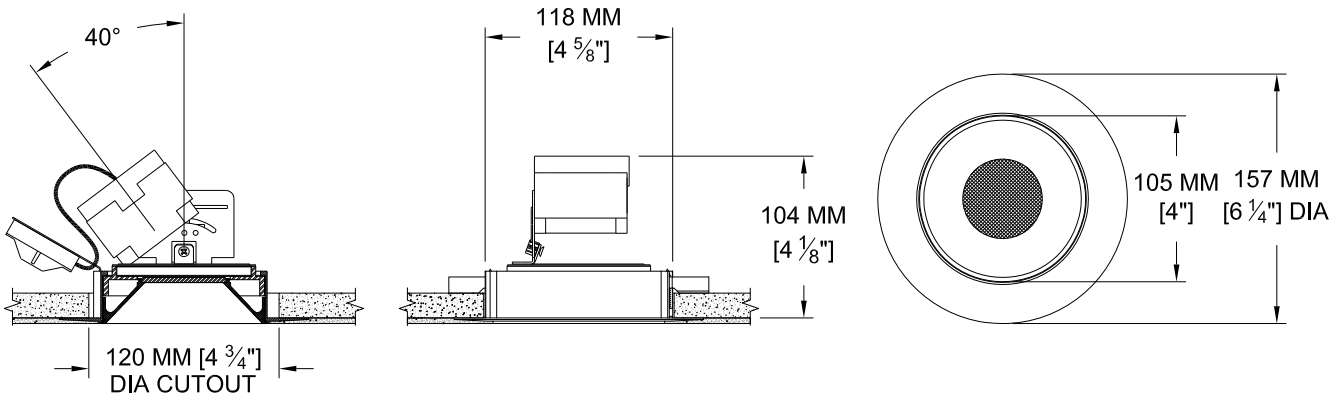
LENS - Clear pyrex safety lens. Optional borosilicate lenses available for lampholder and aperture.

TRIM - Flangeless die-cast aluminum conical shield with pinhole aperture.

FINISH - Aperture trim available in black and white.

APPLICATIONS

Accent and downlighting in low to medium ceiling heights typically found in residential, commercial and retail applications. Suitable for new or existing construction in sheetrock or precast ceilings.



SECTION

SECTION

REFLECTED PLAN VIEW

ORDERING INFORMATION

HOUSING	TRIM	LAMP LENS	FINISH	APERTURE LENS
1001-MR16-OPH				
Open Plaster Frame Housing	ZT = Zero Trim ST = Shower Trim	90L = Clear 91L = Solite 92L = Supertex 95L = Full Prismatic 97L = Black Hexcell	WHT = White BLK = Black	Blank = None 91A = Solite 92A = Supertex 93A = Sandblasted 95A = Full Prismatic



SPECIALTY LIGHTING INDUSTRIES, INC.

NOTE: These specifications subject to change without notice.

www.specialtylightingindustries.com

1306 DORIS AVENUE, OCEAN, NJ 07712 USA 800.462.7812 732.517.0800 FAX 732.517.0971 © 01/13

Single lamp, low-voltage halogen, recessed accent light with conical trim 50mm aperture and optional glass diffuser.

TYPE: _____

JOB: _____

SPECIFIER: _____

SPECIFICATIONS

HOUSING - Precision die-cast flanged ceiling collar.

SOCKET - Auto-locking, hot aiming precision die-formed aluminum yoke. G4/G6 ceramic socket with high temperature, teflon coated lead wires.

MOUNTING - Install from below in architectural ceiling.

ELECTRICAL - Integral terminal block for connection to adjacent transformer supplied by others.

LENS - Clear pyrex safety lens. Optional borosilicate lenses available for lampholder and aperture.

LAMP - MR-16, 50w max. supplied by others.

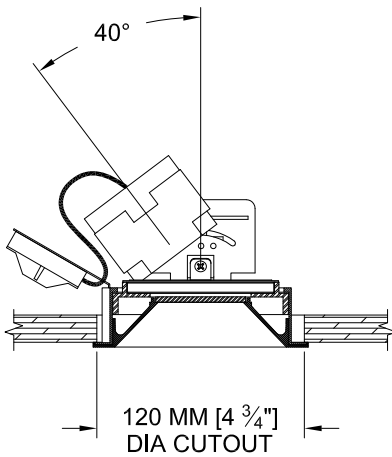
TRIM - Flanged die-cast aluminum conical shield with pinhole aperture.

FINISH - Aperture trim available in black and white.

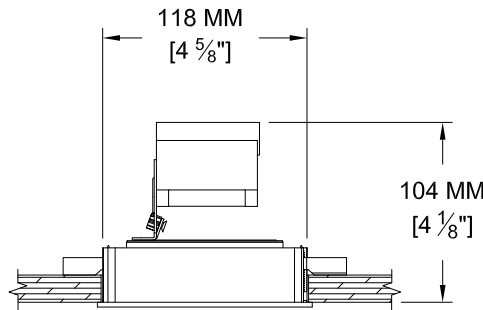
LABELS - CE IP20, IP54 with Shower Trim

APPLICATIONS

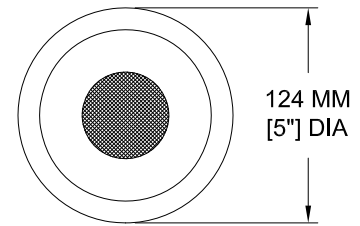
Accent and downlighting in low to medium ceiling heights typically found in residential, commercial and retail applications. Suitable for new or existing construction.



SECTION



SECTION



REFLECTED PLAN VIEW

ORDERING INFORMATION

HOUSING	TRIM	LAMP LENS	FINISH	APERTURE LENS
1001-MR16-OFH				
Open Flanged Housing	FT = Flanged Trim ST = Shower Trim	90L = Clear 91L = Solite 92L = Supertex 95L = Full Prismatic 97L = Black Hexcell	WHT = White BLK = Black	Blank = None 91A = Solite 92A = Supertex 93A = Sandblasted 95A = Full Prismatic



SPECIALTY LIGHTING INDUSTRIES, INC.

NOTE: These specifications subject to change without notice.

www.specialtylightingindustries.com

1306 DORIS AVENUE, OCEAN, NJ 07712 USA 800.462.7812 732.517.0800 FAX 732.517.0971 © 01/13

Single lamp, low-voltage halogen recessed wall washer with nominal 100mm conical aperture.

TYPE: _____

JOB: _____

SPECIFIER: _____

SPECIFICATIONS

HOUSING - Precision die-cast ceiling collar with integral mud ring and screed edge.

SOCKET - G4/G6 ceramic socket with high temperature, teflon coated lead wires.

MOUNTING - Install from below in sheetrock or plaster.

ELECTRICAL - Integral terminal block for connection to adjacent transformer supplied by others.

LENS - Supertex borosilicate spread lens, hinged for relamping. Alzak kick beamspread. Optional UV lens available.

TRIM - Flangeless die-cast aluminum conical shield with arched aperture.

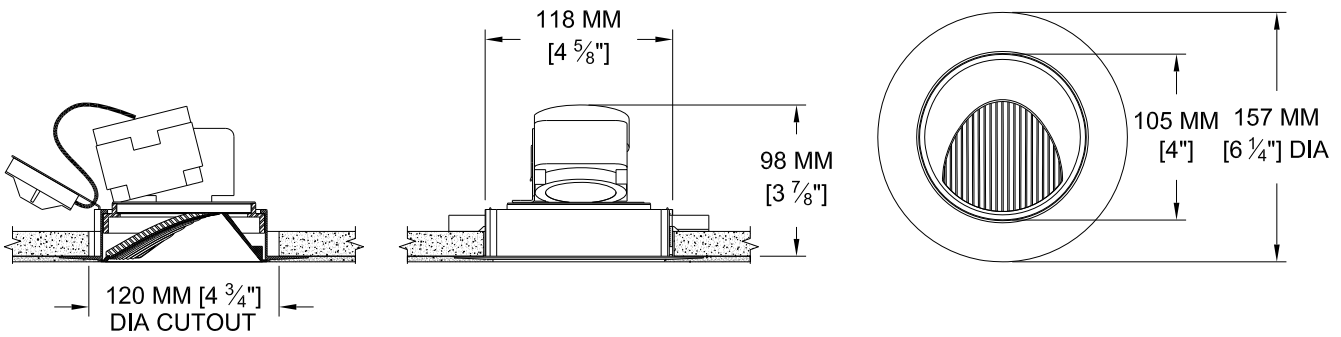
LAMP - MR-16, 50w max. supplied by others.

FINISH - Aperture trim available in black and white.

LABELS - CE IP20, IP54 with Shower Trim

APPLICATIONS

Wallwashing in low to medium ceiling heights typically found in residential, commercial and retail applications. Suitable for new or existing construction in sheetrock or precast ceilings.



SECTION

SECTION

REFLECTED PLAN VIEW

ORDERING INFORMATION

HOUSING	TRIM	LAMP LENS	FINISH	APERTURE LENS
1250-MR16-OPH				
Open Plaster Frame Housing	ZT = Zero Trim ST = Shower Trim	98L = UV Filter	WHT = White BLK = Black	82A = Frosted Supertex



SPECIALTY LIGHTING INDUSTRIES, INC.

NOTE: These specifications subject to change without notice.

www.specialtylightingindustries.com

1306 DORIS AVENUE, OCEAN, NJ 07712 USA 800.462.7812 732.517.0800 FAX 732.517.0971 © 01/13

Single lamp, low-voltage halogen recessed wall washer with nominal 100mm conical aperture.

TYPE: _____

JOB: _____

SPECIFIER: _____

SPECIFICATIONS

HOUSING - Precision die-cast flanged ceiling collar.

SOCKET - G4/G6 ceramic socket with high temperature, teflon coated lead wires.

MOUNTING - Install from below in architectural ceiling.
ELECTRICAL - Integral terminal block for connection to adjacent transformer supplied by others.

LENS - Supertex borosilicate spread lens, hinged for relamping. Alzak kick beamsread. Optional UV lens available.
TRIM - Flanged die-cast aluminum conical shield with arched aperture.

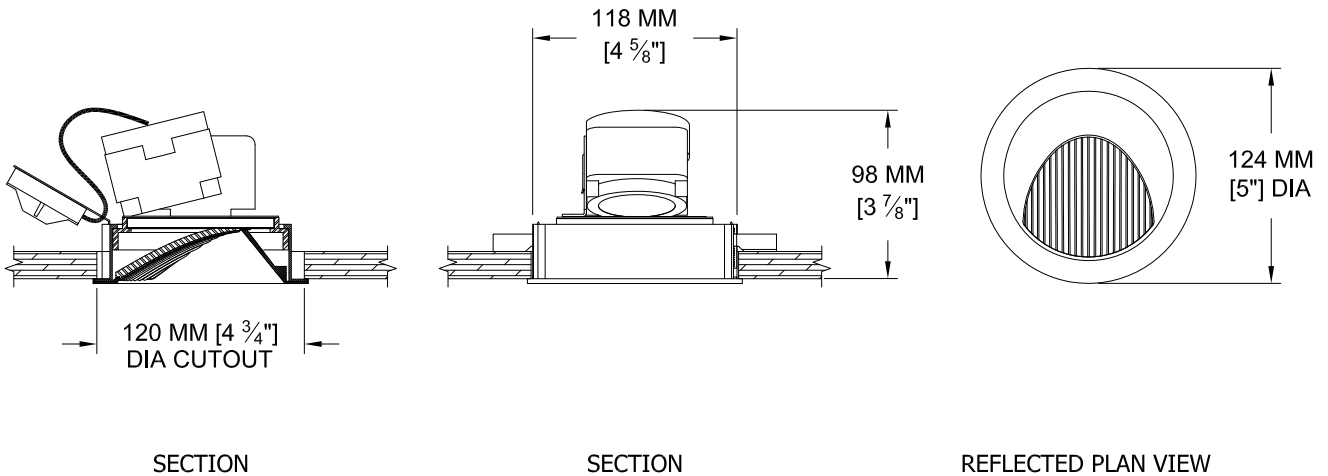
LAMP - MR-16, 50w max. supplied by others.

FINISH - Aperture trim available in black and white.

LABELS - CE IP20, IP54 with Shower Trim

APPLICATIONS

Wallwashing in low to medium ceiling heights typically found in residential, commercial and retail applications. Suitable for new or existing construction.



ORDERING INFORMATION

HOUSING	TRIM	LAMP LENS	FINISH	APERTURE LENS
1250-MR16-OFH				82A
Open Flanged Housing	FT = Flanged Trim ST = Shower Trim	98L = UV Filter	WHT = White BLK = Black	82A = Frosted Supertex





Single lamp, low-voltage halogen, recessed down light with conical trim 50mm aperture and optional glass diffuser.

TYPE: _____

JOB: _____

SPECIFIER: _____

SPECIFICATIONS

HOUSING - Precision die-cast ceiling collar with integral mud ring and screed edge.

SOCKET - G4/G6 ceramic socket with high temperature, teflon coated lead wires.

MOUNTING - Install from below in sheetrock or plaster.

LENS - Clear pyrex safety lens. Optional borosilicate lenses available for lampholder and aperture.

ELECTRICAL - Integral terminal block for connection to adjacent transformer supplied by others.

TRIM - Flangeless die-cast aluminum conical shield with pinhole aperture.

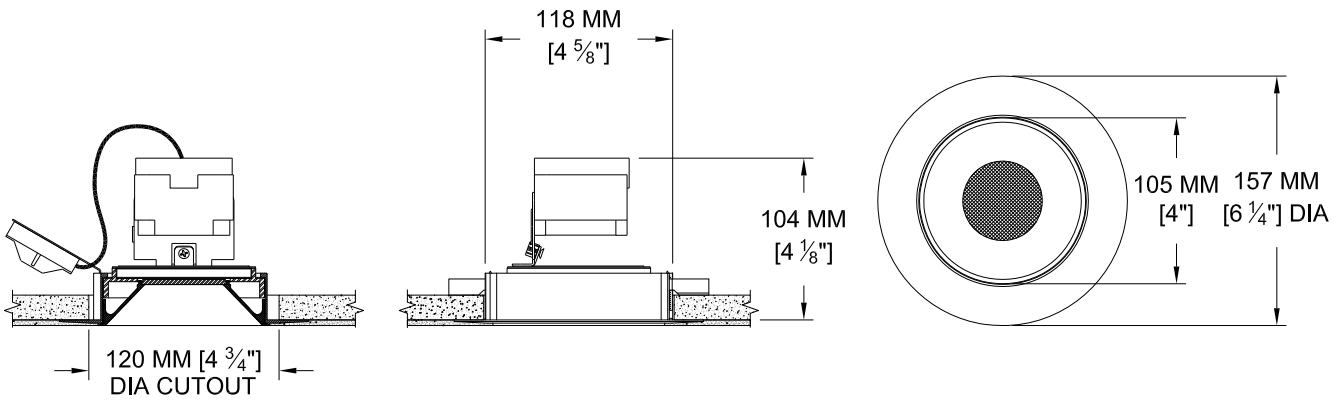
LAMP - MR-16, 50w max. supplied by others.

FINISH - Aperture trim available in black and white.

LABELS - CE IP20, IP54 with Shower Trim

APPLICATIONS

Downlighting in low to medium ceiling heights typically found in residential, commercial and retail applications. Suitable for new or existing construction in sheetrock or precast ceilings.



SECTION

SECTION

REFLECTED PLAN VIEW

ORDERING INFORMATION

HOUSING	TRIM	LAMP LENS	FINISH	APERTURE LENS
4001-MR16-OPH				
Open Plaster Frame Housing	ZT = Zero Trim ST = Shower Trim	90L = Clear 91L = Solite 92L = Supertex 95L = Full Prismatic 97L = Black Hexcell	WHT = White BLK = Black	Blank = None 91A = Solite 92A = Supertex 93A = Sandblasted 95A = Full Prismatic



SPECIALTY LIGHTING INDUSTRIES, INC.

NOTE: These specifications subject to change without notice.

www.specialtylightingindustries.com

1306 DORIS AVENUE, OCEAN, NJ 07712 USA 800.462.7812 732.517.0800 FAX 732.517.0971 © 01/13

Single lamp, low-voltage halogen, recessed down light with conical trim 50mm aperture and optional glass diffuser.

TYPE: _____

JOB: _____

SPECIFIER: _____

SPECIFICATIONS

HOUSING - Precision die-cast flanged ceiling collar.

SOCKET - G4/G6 ceramic socket with high temperature, teflon coated lead wires.

MOUNTING - Install from below in architectural ceiling.

ELECTRICAL - Integral terminal block for connection to adjacent transformer supplied by others.

LENS - Clear pyrex safety lens. Optional borosilicate lenses available for lampholder and aperture.

TRIM - Flanged die-cast aluminum conical shield with pinhole aperture.

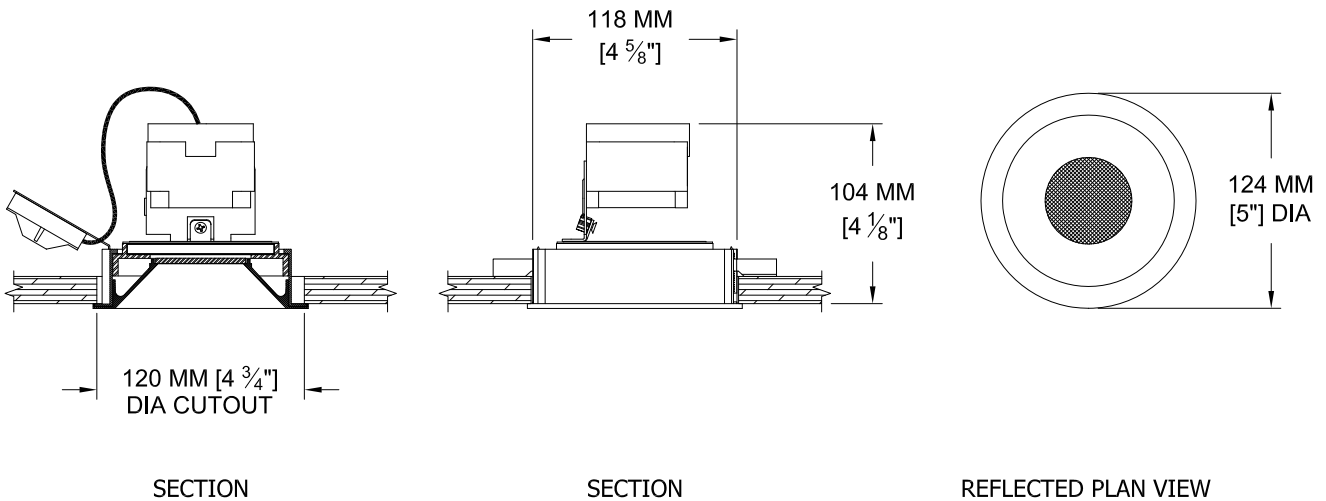
LAMP - MR-16, 50w max. supplied by others.

FINISH - Aperture trim available in black and white.

LABELS - CE IP20, IP54 with Shower Trim

APPLICATIONS

Down lighting in low to medium ceiling heights typically found in residential, commercial and retail applications. Suitable for new or existing construction.



ORDERING INFORMATION

HOUSING	TRIM	LAMP LENS	FINISH	APERTURE LENS
4001-MR16-OFH				
Open Flanged Housing	FT = Flanged Trim ST = Shower Trim	90L = Clear 91L = Solite 92L = Supertex 95L = Full Prismatic 97L = Black Hexcell	WHT = White BLK = Black	Blank = None 91A = Solite 92A = Supertex 93A = Sandblasted 95A = Full Prismatic



SPECIALTY LIGHTING INDUSTRIES, INC.

NOTE: These specifications subject to change without notice.

www.specialtylightingindustries.com

1306 DORIS AVENUE, OCEAN, NJ 07712 USA 800.462.7812 732.517.0800 FAX 732.517.0971 © 01/13



Single lamp, low-voltage halogen, recessed accent light with nominal 100mm square aperture and optional glass diffuser.

TYPE: _____

JOB: _____

SPECIFIER: _____

SPECIFICATIONS

HOUSING - Precision die-cast ceiling collar with integral mud ring and screed edge.

MOUNTING - Install from below in sheetrock or plaster.

ELECTRICAL - Integral terminal block for connection to adjacent transformer supplied by others.

LAMP - MR-16, 50w max. supplied by others.

LABELS - CE IP20, IP54 with Shower Trim

SOCKET - Auto-locking, hot aiming precision die-formed aluminum yoke. G4/G6 ceramic socket with high temperature, teflon coated lead wires.

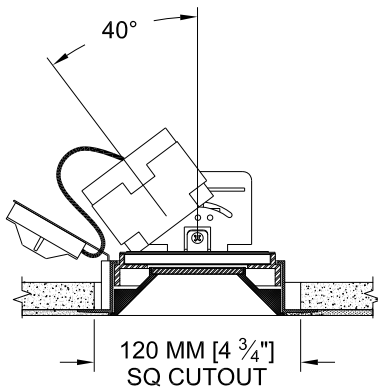
LENS - Clear pyrex safety lens. Optional borosilicate lenses available for lampholder and aperture.

TRIM - Flangeless die-cast aluminum pyramidal shield.

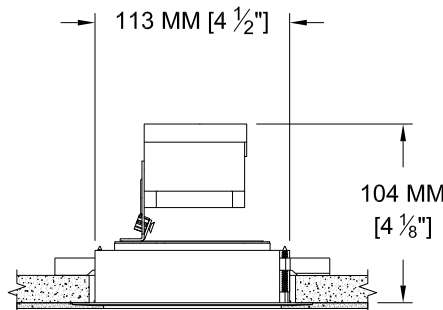
FINISH - Aperture trim available in black and white.

APPLICATIONS

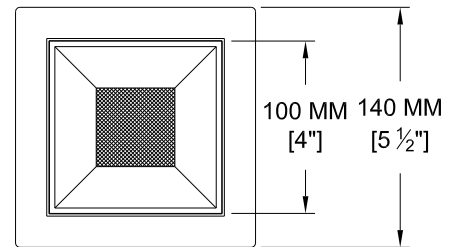
Accent and downlighting in low to medium ceiling heights typically found in residential, commercial and retail applications. Suitable for new or existing construction in sheetrock or precast ceilings.



SECTION



SECTION



REFLECTED PLAN VIEW

ORDERING INFORMATION

HOUSING	TRIM	LAMP LENS	FINISH	APERTURE LENS
1009-MR16-OPH				
Open Plaster Frame Housing	ZT = Zero Trim ST = Shower Trim	90L = Clear 91L = Solite 92L = Supertex 95L = Full Prismatic 97L = Black Hexcell	WHT = White BLK = Black	Blank = None 91A = Solite 92A = Supertex 93A = Sandblasted 95A = Full Prismatic



SPECIALTY LIGHTING INDUSTRIES, INC.

NOTE: These specifications subject to change without notice.

www.specialtylightingindustries.com

1306 DORIS AVENUE, OCEAN, NJ 07712 USA 800.462.7812 732.517.0800 FAX 732.517.0971 © 01/13

Single lamp, low-voltage halogen, recessed accent light with nominal 100mm square aperture and optional glass diffuser.

TYPE: _____

JOB: _____

SPECIFIER: _____

SPECIFICATIONS

HOUSING - Precision die-cast flanged ceiling collar.

SOCKET - Auto-locking, hot aiming precision die-formed aluminum yoke. G4/G6 ceramic socket with high temperature, teflon coated lead wires.

MOUNTING - Install from below in architectural ceiling.

ELECTRICAL - Integral terminal block for connection to adjacent transformer supplied by others.

LENS - Clear pyrex safety lens. Optional borosilicate lenses available for lampholder and aperture.

TRIM - Flanged die-cast aluminum pyramidal shield.

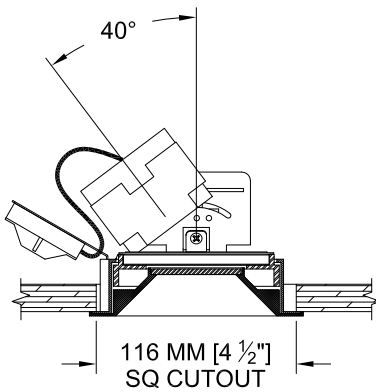
LAMP - MR-16, 50w max. supplied by others.

FINISH - Aperture trim available in black and white.

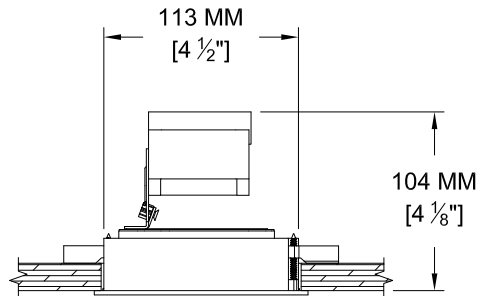
LABELS - CE IP20, IP54 with Shower Trim

APPLICATIONS

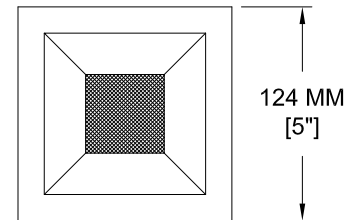
Accent and downlighting in low to medium ceiling heights typically found in residential, commercial and retail applications. Suitable for new or existing construction.



SECTION



SECTION



REFLECTED PLAN VIEW

ORDERING INFORMATION

HOUSING	TRIM	LAMP LENS	FINISH	APERTURE LENS
1009-MR16-OFH				
Open Flanged Housing	FT = Flanged Trim ST = Shower Trim	90L = Clear 91L = Solite 92L = Supertex 95L = Full Prismatic 97L = Black Hexcell	WHT = White BLK = Black	Blank = None 91A = Solite 92A = Supertex 93A = Sandblasted 95A = Full Prismatic



SPECIALTY LIGHTING INDUSTRIES, INC.

NOTE: These specifications subject to change without notice.

www.specialtylightingindustries.com

1306 DORIS AVENUE, OCEAN, NJ 07712 USA 800.462.7812 732.517.0800 FAX 732.517.0971 © 01/13

Single lamp, low-voltage halogen recessed wall washer with nominal 100mm square aperture.

TYPE: _____

JOB: _____

SPECIFIER: _____

SPECIFICATIONS

HOUSING - Precision die-cast ceiling collar with integral mud ring and screed edge.

SOCKET - G4/G6 ceramic socket with high temperature, teflon coated lead wires.

MOUNTING - Install from below in sheetrock or plaster.

LENS - Supertex borosilicate spread lens, hinged for relamping. Alzak kick beamspread. Optional UV lens available.

ELECTRICAL - Integral terminal block for connection to adjacent transformer supplied by others.

TRIM - Flangeless, one piece die-cast aluminum pyramidal shield.

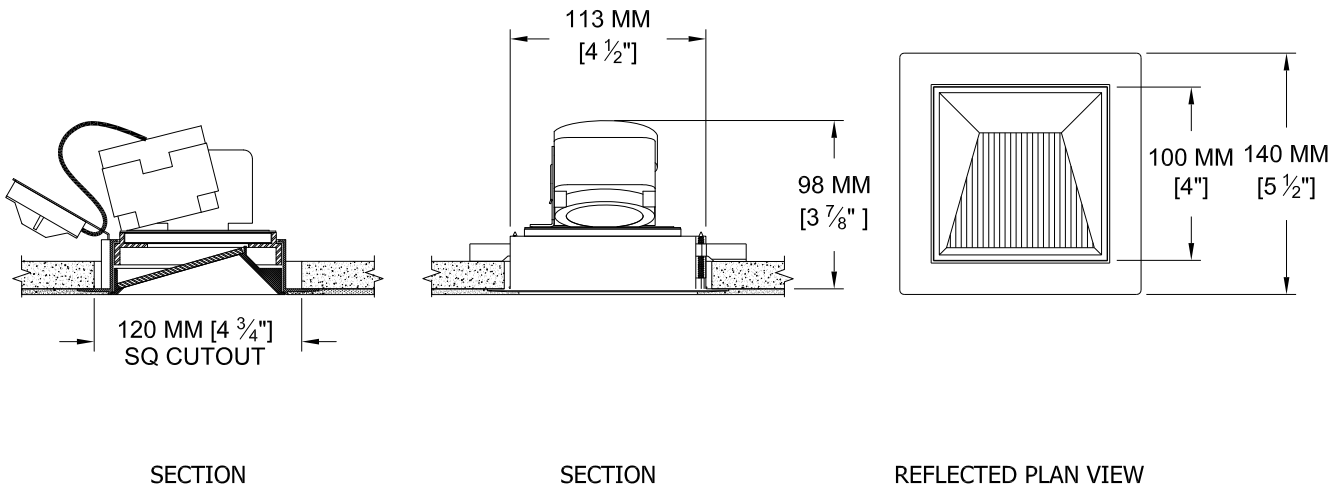
LAMP - MR-16, 50w max. supplied by others.

FINISH - Aperture trim available in black and white.

LABELS - CE IP20, IP54 with Shower Trim

APPLICATIONS

Wallwashing in low to medium ceiling heights typically found in residential, commercial and retail applications. Suitable for new or existing construction in sheetrock or precast ceilings.



ORDERING INFORMATION

HOUSING	TRIM	LAMP LENS	FINISH	APERTURE LENS
1240-MR16-OPH				
Open Plaster Frame Housing	ZT = Zero Trim ST = Shower Trim	98L = UV Filter	WHT = White BLK = Black	82A = Frosted Supertex



SPECIALTY LIGHTING INDUSTRIES, INC.

NOTE: These specifications subject to change without notice.

www.specialtylightingindustries.com

1306 DORIS AVENUE, OCEAN, NJ 07712 USA 800.462.7812 732.517.0800 FAX 732.517.0971 © 01/13

Single lamp, low-voltage halogen recessed wall washer with nominal 100mm square aperture.

TYPE: _____

JOB: _____

SPECIFIER: _____

SPECIFICATIONS

HOUSING - Precision die-cast flanged ceiling collar.

SOCKET - G4/G6 ceramic socket with high temperature, teflon coated lead wires.

MOUNTING - Install from below in architectural ceiling.

ELECTRICAL - Integral terminal block for connection to adjacent transformer supplied by others.

LENS - Supertex borosilicate spread lens, hinged for relamping. Alzak kick beamspread. Optional UV lens available.

TRIM - Flanged, one piece die-cast aluminum pyramidal shield.

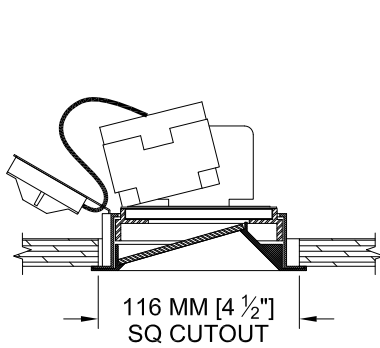
LAMP - MR-16, 50w max. supplied by others.

FINISH - Aperture trim available in black and white.

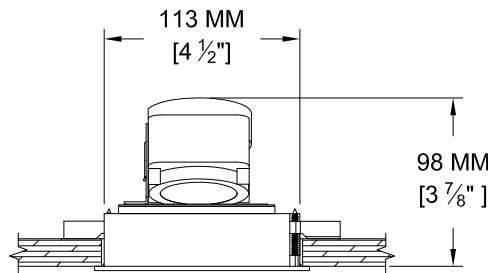
LABELS - CE IP20, IP54 with Shower Trim

APPLICATIONS

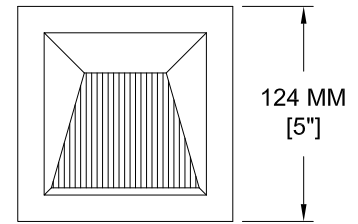
Wallwashing in low to medium ceiling heights typically found in residential, commercial and retail applications. Suitable for new or existing construction.



SECTION



SECTION



REFLECTED PLAN VIEW

ORDERING INFORMATION

HOUSING	TRIM	LAMP LENS	FINISH	APERTURE LENS
1240-MR16-OFH				82A
Open Flanged Housing	FT = Flanged Trim ST = Shower Trim	98L = UV Filter	WHT = White BLK = Black	82A = Frosted Supertex



SPECIALTY LIGHTING INDUSTRIES, INC.

NOTE: These specifications subject to change without notice.

www.specialtylightingindustries.com

1306 DORIS AVENUE, OCEAN, NJ 07712 USA 800.462.7812 732.517.0800 FAX 732.517.0971 © 01/13



Single lamp, low-voltage halogen, recessed down light with nominal 100mm square aperture and optional glass diffuser.

TYPE: _____

JOB: _____

SPECIFIER: _____

SPECIFICATIONS

HOUSING - Precision die-cast ceiling collar with integral mud ring and screed edge.

SOCKET - G4/G6 ceramic socket with high temperature, teflon coated lead wires.

MOUNTING - Install from below in sheetrock or plaster.

ELECTRICAL - Integral terminal block for connection to adjacent transformer supplied by others.

LENS - Clear pyrex safety lens. Optional borosilicate lenses available for lampholder and aperture.

TRIM - Flangeless die-cast aluminum pyramidal shield.

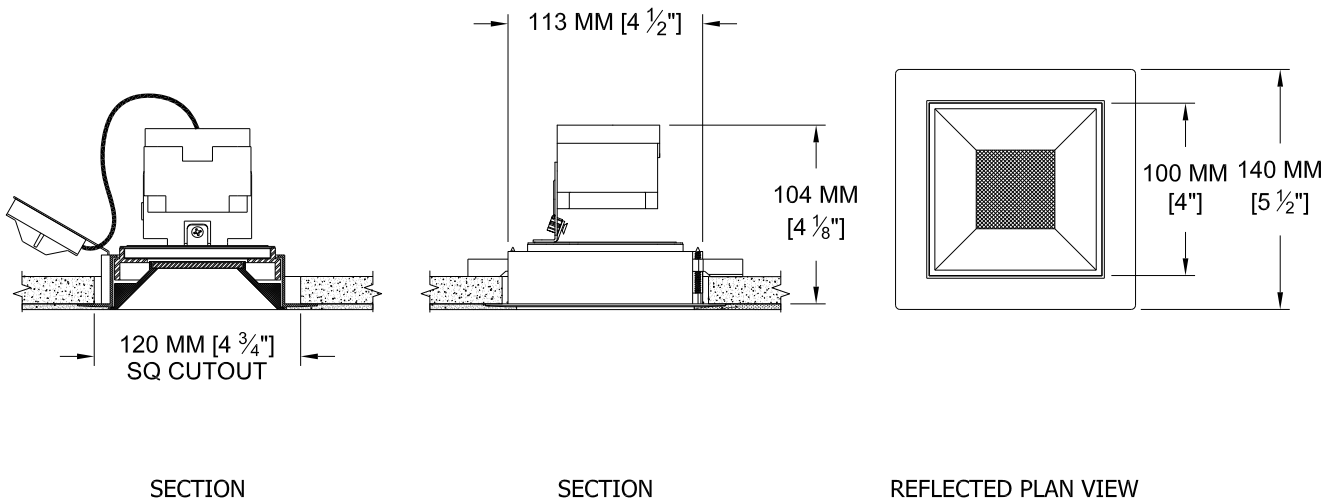
LAMP - MR-16, 50w max. supplied by others.

FINISH - Aperture trim available in black and white.

LABELS - CE IP20, IP54 with Shower Trim

APPLICATIONS

Downlighting in low to medium ceiling heights typically found in residential, commercial and retail applications. Suitable for new or existing construction in sheetrock or precast ceilings.



ORDERING INFORMATION

HOUSING	TRIM	LAMP LENS	FINISH	APERTURE LENS
4009-MR16-OPH				
Open Plaster Frame Housing	ZT = Zero Trim ST = Shower Trim	90L = Clear 91L = Solite 92L = Supertex 95L = Full Prismatic 97L = Black Hexcell	WHT = White BLK = Black	Blank = None 91A = Solite 92A = Supertex 93A = Sandblasted 95A = Full Prismatic



SPECIALTY LIGHTING INDUSTRIES, INC.

NOTE: These specifications subject to change without notice.

www.specialtylightingindustries.com

1306 DORIS AVENUE, OCEAN, NJ 07712 USA 800.462.7812 732.517.0800 FAX 732.517.0971 © 01/13

Single lamp, low-voltage halogen, recessed down light with nominal 100mm square aperture and optional glass diffuser.

TYPE: _____

JOB: _____

SPECIFIER: _____

SPECIFICATIONS

HOUSING - Precision die-cast flanged ceiling collar.

SOCKET - G4/G6 ceramic socket with high temperature, teflon coated lead wires.

MOUNTING - Install from below in architectural ceiling.

ELECTRICAL - Integral terminal block for connection to adjacent transformer supplied by others.

LENS - Clear pyrex safety lens. Optional borosilicate lenses available for lampholder and aperture.

TRIM - Flanged die-cast aluminum pyramidal shield.

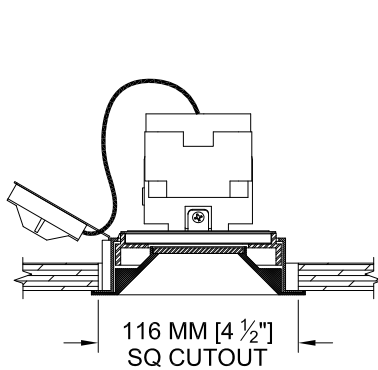
LAMP - MR-16, 50w max. supplied by others.

FINISH - Aperture trim available in black and white.

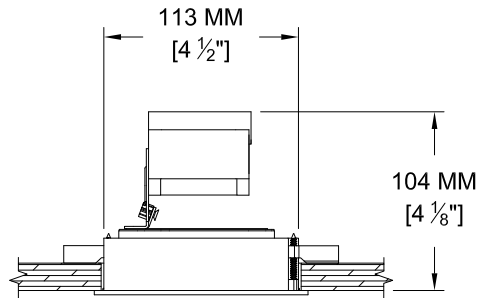
LABELS - CE IP20, IP54 with Shower Trim

APPLICATIONS

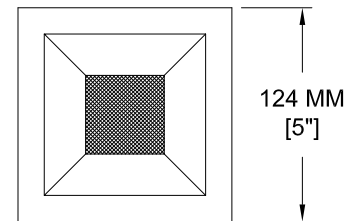
Down lighting in low to medium ceiling heights typically found in residential, commercial and retail applications. Suitable for new or existing construction.



SECTION



SECTION



REFLECTED PLAN VIEW

ORDERING INFORMATION

HOUSING	TRIM	LAMP LENS	FINISH	APERTURE LENS
4009-MR16-OFH				
Open Flanged Housing	FT = Flanged Trim ST = Shower Trim	90L = Clear 91L = Solite 92L = Supertex 95L = Full Prismatic 97L = Black Hexcell	WHT = White BLK = Black	Blank = None 91A = Solite 92A = Supertex 93A = Sandblasted 95A = Full Prismatic



SPECIALTY LIGHTING INDUSTRIES, INC.

NOTE: These specifications subject to change without notice.

www.specialtylightingindustries.com

1306 DORIS AVENUE, OCEAN, NJ 07712 USA 800.462.7812 732.517.0800 FAX 732.517.0971 © 01/13

Single lamp, solid state light engine, recessed accent light with conical trim 50mm aperture and optional glass diffuser.

TYPE: _____

JOB: _____

SPECIFIER: _____

SPECIFICATIONS

HOUSING - Precision die-cast ceiling collar with integral mud ring and screed edge.

MOUNTING - Install from below in sheetrock or plaster.

ELECTRICAL - Complete with driver compatible with 0-10v or phase control dimming. Available in High Output or High Efficiency configurations.

LAMP - BridgeLux LED supplied with fixture. Other engines available consult factory.

LABELS - CE IP20, IP54 with Shower Trim.

SOCKET - Auto-locking, hot aiming precision die-formed aluminum yoke. Ulsocket™ allows easy field replacement of light engine.

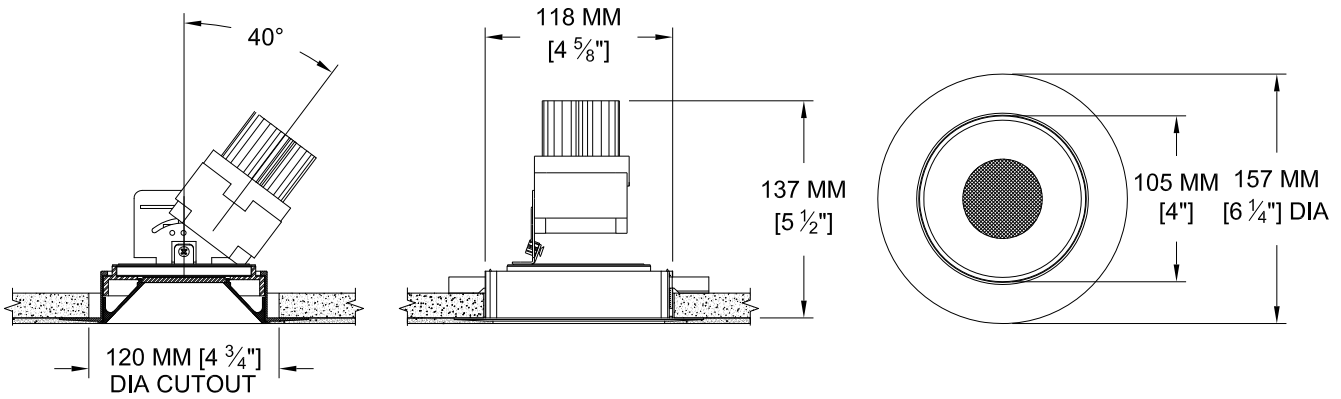
OPTICS - Multiple beamspreads. Optional borosilicate lenses available for aperture.

TRIM - Flangeless die-cast aluminum conical shield with pinhole aperture.

FINISH - Aperture trim available in black and white.

APPLICATIONS

Accent and downlighting in low to medium ceiling heights typically found in residential, commercial and retail applications. Suitable for new or existing construction.



SECTION

SECTION

REFLECTED PLAN VIEW

ORDERING INFORMATION

HOUSING	TRIM	BEAM SPREAD	DRIVER	TRIM FINISH	APERTURE LENS
1001-LEDB__-OPH					
Plaster Frame Collar CRI CCT 8 = 80 27 = 2700K 9 = 97 30 = 3000K 35 = 3500K	ST = Shower Trim ZT = Zero Trim	15 = 15 Degrees 24 = 24 Degrees 38 = 38 Degrees 60 = 60 Degrees	HE = 720lm HO = 1000lm 220-240v, 0-10v control add DM for phase control dimming	WHT = White BLK = Black	Blank = None 91A = Solite 92A = Supertex 93A = Sandblasted 95A = Full Prismatic



SPECIALTY LIGHTING INDUSTRIES, INC.

NOTE: These specifications subject to change without notice.

www.specialtylightingindustries.com

1306 DORIS AVENUE, OCEAN, NJ 07712 USA 800.462.7812 732.517.0800 FAX 732.517.0971 © 1/14

Single lamp, solid state light engine, recessed accent light with conical trim 50mm aperture and optional glass diffuser.

TYPE: _____

JOB: _____

SPECIFIER: _____

SPECIFICATIONS

HOUSING - Precision die-cast flanged ceiling collar.

MOUNTING - Install from below in architectural ceiling.

ELECTRICAL - Complete with driver compatible with 0-10v or phase control dimming. Available in High Output or High Efficiency configurations.

LAMP - BridgeLux LED supplied with fixture. Other engines available consult factory.

LABELS - CE IP20, IP54 with Shower Trim.

SOCKET - Auto-locking, hot aiming precision die-formed aluminum yoke. Ulsocket™ allows easy field replacement of light engine.

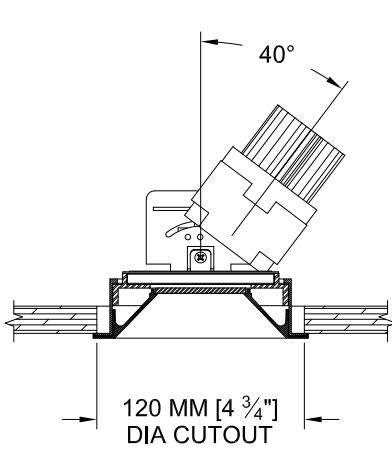
OPTICS - Multiple beamspreads. Optional borosilicate lenses available for aperture.

TRIM - Flanged die-cast aluminum conical shield with pinhole aperture.

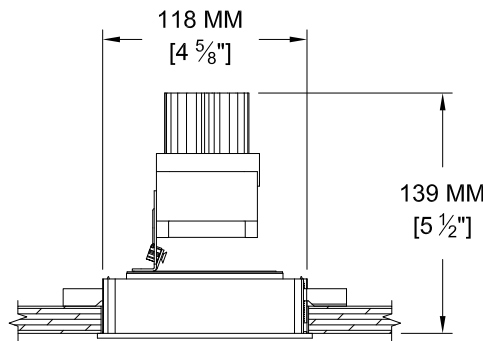
FINISH - Aperture trim available in black and white.

APPLICATIONS

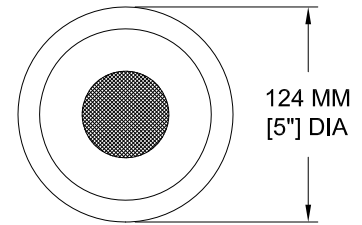
Accent and downlighting in low to medium ceiling heights typically found in residential, commercial and retail applications. Suitable for new or existing construction.



SECTION



SECTION



REFLECTED PLAN VIEW

ORDERING INFORMATION

HOUSING	TRIM	BEAM SPREAD	DRIVER	TRIM FINISH	APERTURE LENS
1001-LEDB__-OFH					
Flanged Ceiling Collar CRI CCT 8 = 80 27 = 2700K 9 = 97 30 = 3000K 35 = 3500K	FT = Flanged Trim ST = Shower Trim	15 = 15 Degrees 24 = 24 Degrees 38 = 38 Degrees 60 = 60 Degrees	HE = 720lm HO = 1000lm 220-240v, 0-10v control add DM for phase control dimming	WHT = White BLK = Black	Blank = None 91A = Solite 92A = Supertex 93A = Sandblasted 95A = Full Prismatic



SPECIALTY LIGHTING INDUSTRIES, INC.

NOTE: These specifications subject to change without notice.

www.specialtylightingindustries.com

1306 DORIS AVENUE, OCEAN, NJ 07712 USA 800.462.7812 732.517.0800 FAX 732.517.0971 © 01/14



Single lamp, solid state light engine, recessed accent light with conical trim 50mm aperture and optional glass diffuser.

TYPE: _____

JOB: _____

SPECIFIER: _____

SPECIFICATIONS

HOUSING - Precision die-cast ceiling collar with integral mud ring and screed edge.

MOUNTING - Install from below in sheetrock or plaster.

ELECTRICAL - Complete with driver compatible with 0-10v or phase control dimming. Available in High Output or High Efficiency configurations.

LAMP - Xicato LED supplied with fixture. Other engines available consult factory.

LABELS - CE IP20, IP54 with Shower Trim.

SOCKET - Auto-locking, hot aiming precision die-formed aluminum yoke. Ulsocket™ allows easy field replacement of light engine.

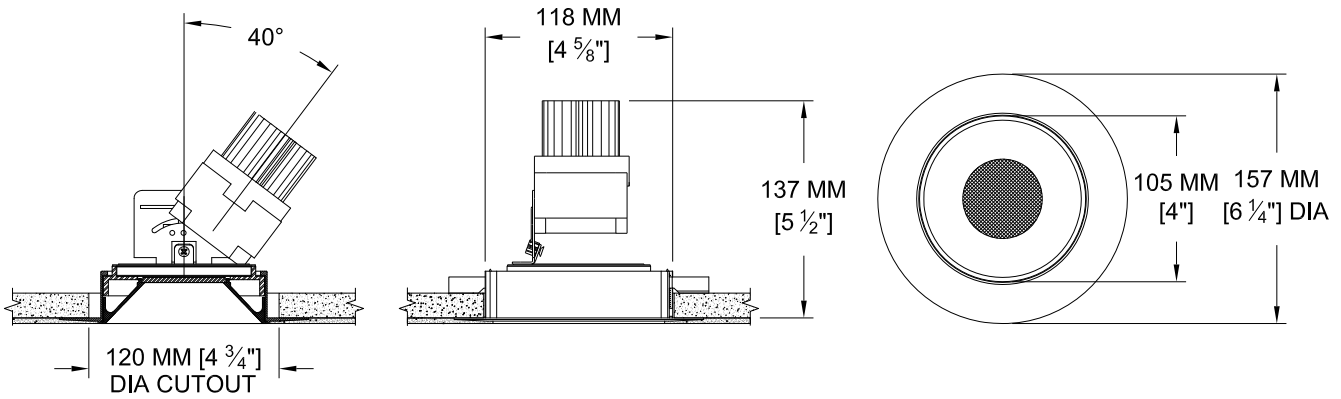
OPTICS - Multiple beamspreads. Optional borosilicate lenses available for aperture.

TRIM - Flangeless die-cast aluminum conical shield with pinhole aperture.

FINISH - Aperture trim available in black and white.

APPLICATIONS

Accent and downlighting in low to medium ceiling heights typically found in residential, commercial and retail applications. Suitable for new or existing construction.



SECTION

SECTION

REFLECTED PLAN VIEW

ORDERING INFORMATION

HOUSING	TRIM	BEAM SPREAD	DRIVER	TRIM FINISH	APERTURE LENS
1001-LEDX__-OPH					
Plaster Frame Collar 827 = 2700K 80CRI 927 = 2700K 95CRI 830 = 3000K 80CRI 930 = 3000K 95CRI	ST = Shower Trim ZT = Zero Trim	10 = 10 Degrees 20 = 20 Degrees 30 = 30 Degrees 40 = 40 Degrees	HE = 720lm HO = 1000lm 220-240v, 0-10v control add DM for phase control dimming	WHT = White BLK = Black	Blank = None 91A = Solite 92A = Supertex 93A = Sandblasted 95A = Full Prismatic



SPECIALTY LIGHTING INDUSTRIES, INC.

NOTE: These specifications subject to change without notice.

www.specialtylightingindustries.com

1306 DORIS AVENUE, OCEAN, NJ 07712 USA 800.462.7812 732.517.0800 FAX 732.517.0971 © 1/13

Single lamp, solid state light engine, recessed accent light with conical trim 50mm aperture and optional glass diffuser.

TYPE: _____

JOB: _____

SPECIFIER: _____

SPECIFICATIONS

HOUSING - Precision die-cast flanged ceiling collar.

MOUNTING - Install from below in architectural ceiling.

ELECTRICAL - Complete with driver compatible with 0-10v or phase control dimming. Available in High Output or High Efficiency configurations.

LAMP - Xicato LED supplied with fixture. Other engines available consult factory.

LABELS - CE IP20, IP54 with Shower Trim.

SOCKET - Auto-locking, hot aiming precision die-formed aluminum yoke. Ulsocket™ allows easy field replacement of light engine.

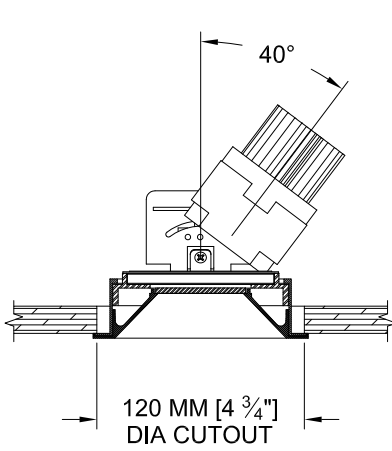
OPTICS - Multiple beamspreads. Optional borosilicate lenses available for aperture.

TRIM - Flanged die-cast aluminum conical shield with pinhole aperture.

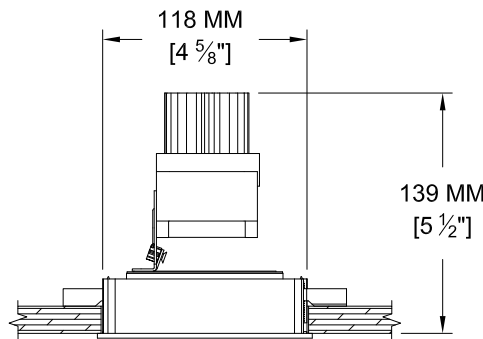
FINISH - Aperture trim available in black and white.

APPLICATIONS

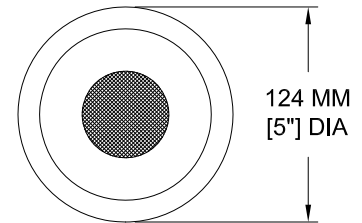
Accent and downlighting in low to medium ceiling heights typically found in residential, commercial and retail applications. Suitable for new or existing construction.



SECTION



SECTION



REFLECTED PLAN VIEW

ORDERING INFORMATION

HOUSING	TRIM	BEAM SPREAD	DRIVER	TRIM FINISH	APERTURE LENS
1001-LEDX__-OFH					
Flanged Ceiling Collar 827 = 2700K 80CRI 927 = 2700K 95CRI 830 = 3000K 80CRI 930 = 3000K 95CRI	FT = Flanged Trim ST = Shower Trim	10 = 10 Degrees 20 = 20 Degrees 30 = 30 Degrees 40 = 40 Degrees	HE = 720lm HO = 1000lm 220-240v, 0-10v control add DM for phase control dimming	WHT = White BLK = Black	Blank = None 91A = Solite 92A = Supertex 93A = Sandblasted 95A = Full Prismatic



SPECIALTY LIGHTING INDUSTRIES, INC.

NOTE: These specifications subject to change without notice.

www.specialtylightingindustries.com

1306 DORIS AVENUE, OCEAN, NJ 07712 USA 800.462.7812 732.517.0800 FAX 732.517.0971 © 12/12

Single lamp, solid state light engine recessed wall washer with nominal 100mm conical aperture.

TYPE: _____

JOB: _____

SPECIFIER: _____

SPECIFICATIONS

HOUSING - Precision die-cast ceiling collar with integral mud ring and screed edge.

SOCKET - Die-formed aluminum yoke. Ulsocket™ allows easy field replacement of light engine.

MOUNTING - Install from below in sheetrock or plaster.

ELECTRICAL - Complete with driver compatible with 0-10v or phase control dimming. Available in High Output or High Efficiency configurations.

LENS - Supertex borosilicate spread lens, hinged for relamping. Alzak kick reflector.

TRIM - Flangeless die-cast aluminum conical shield with arched aperture.

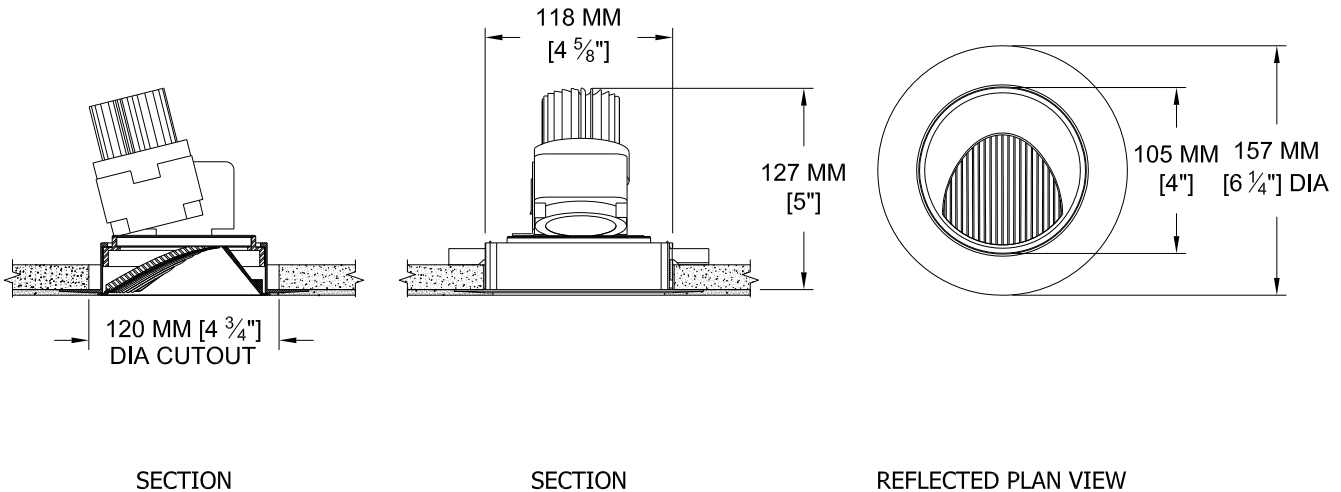
LAMP - BridgeLux LED supplied with fixture. Other engines available consult factory.

FINISH - Aperture trim available in black and white.

LABELS - CE, IP20, IP54 with Shower Trim

APPLICATIONS

Wallwashing in low to medium ceiling heights typically found in residential, commercial and retail applications. Suitable for new or existing construction.



ORDERING INFORMATION

HOUSING	TRIM	DRIVER	FINISH	APERTURE LENS
1250-LEDB__-OPH				
Plaster Frame Collar CRI CCT 8 = 80 27 = 2700K 9 = 95 30 = 3000K 35 = 3500K	FT = Flanged Trim ST = Shower Trim	HE = 720lm HO = 1000lm 220-240v, 0-10v control add DM for phase control dimming	WHT = White BLK = Black	82A = Frosted Supertex



SPECIALTY LIGHTING INDUSTRIES, INC.

NOTE: These specifications subject to change without notice.

www.specialtylightingindustries.com

1306 DORIS AVENUE, OCEAN, NJ 07712 USA 800.462.7812 732.517.0800 FAX 732.517.0971 © 01/14

Single lamp, solid state light engine recessed wall washer with nominal 100mm conical aperture.

TYPE: _____

JOB: _____

SPECIFIER: _____

SPECIFICATIONS

HOUSING - Precision die-cast flanged ceiling collar.

SOCKET - Die-formed aluminum yoke. Ulsocket™ allows easy field replacement of light engine.

MOUNTING - Install from below in architectural ceiling.

ELECTRICAL - Complete with driver compatible with 0-10v or phase control dimming. Available in High Output or High Efficiency configurations.

LENS - Supertex borosilicate spread lens, hinged for relamping. Alzak kick reflector.

TRIM - Flanged die-cast aluminum conical shield with arched aperture.

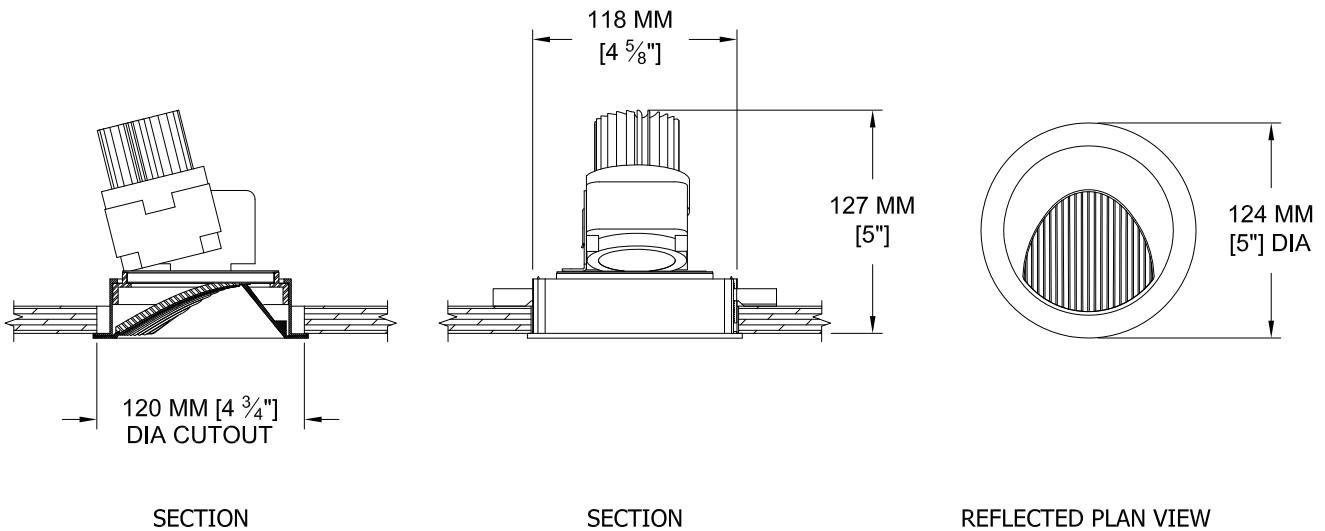
LAMP - BridgeLux LED supplied with fixture. Other engines available consult factory.

FINISH - Aperture trim available in black and white.

LABELS - CE, IP20, IP54 with Shower Trim

APPLICATIONS

Wallwashing in low to medium ceiling heights typically found in residential, commercial and retail applications. Suitable for new or existing construction.



ORDERING INFORMATION

HOUSING	TRIM	DRIVER	FINISH	APERTURE LENS
1250-LEDB__-OFH				
Flanged Ceiling Collar CRI CCT 8 = 80 27 = 2700K 9 = 95 30 = 3000K 35 = 3500K	FT = Flanged Trim ST = Shower Trim	HE = 720lm HO = 1000lm 220-240v, 0-10v control add DM for phase control dimming	WHT = White BLK = Black	82A = Frosted Supertex



SPECIALTY LIGHTING INDUSTRIES, INC.

NOTE: These specifications subject to change without notice.

www.specialtylightingindustries.com

1306 DORIS AVENUE, OCEAN, NJ 07712 USA 800.462.7812 732.517.0800 FAX 732.517.0971 © 01/14

Single lamp, solid state light engine recessed wall washer with nominal 100mm conical aperture.

TYPE: _____

JOB: _____

SPECIFIER: _____

SPECIFICATIONS

HOUSING - Precision die-cast ceiling collar with integral mud ring and screed edge.

SOCKET - Die-formed aluminum yoke. Ulsocket™ allows easy field replacement of light engine.

MOUNTING - Install from below in sheetrock or plaster.

ELECTRICAL - Complete with driver compatible with 0-10v or phase control dimming. Available in High Output or High Efficiency configurations.

LENS - Supertex borosilicate spread lens, hinged for relamping. Alzak kick reflector.

TRIM - Flangeless die-cast aluminum conical shield with arched aperture.

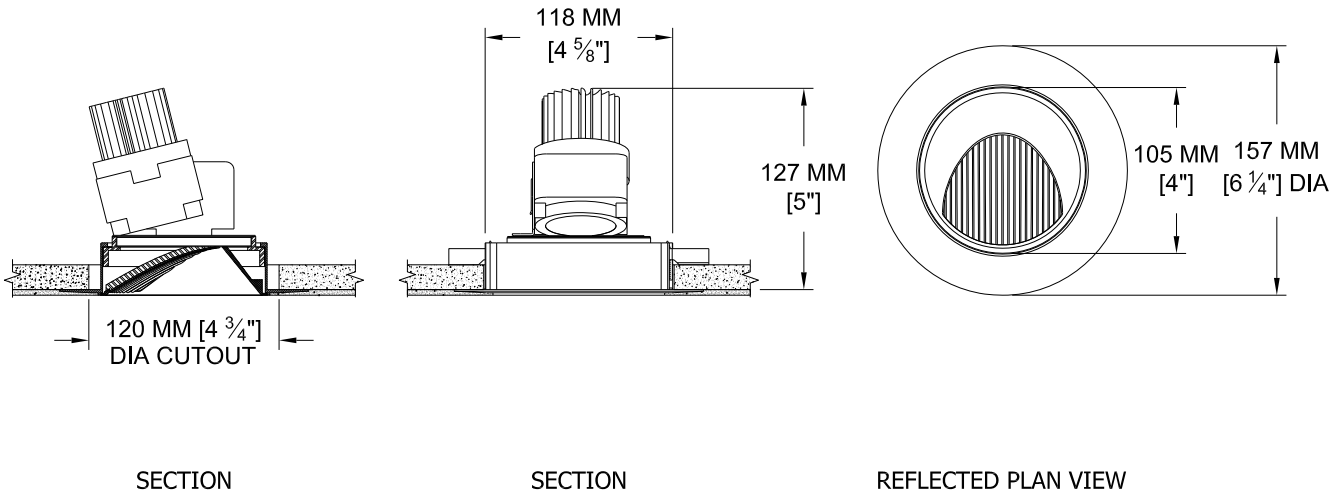
LAMP - Xicato LED supplied with fixture. Other engines available consult factory.

FINISH - Aperture trim available in black and white.

LABELS - CE, IP20, IP54 with Shower Trim

APPLICATIONS

Wallwashing in low to medium ceiling heights typically found in residential, commercial and retail applications. Suitable for new or existing construction.



ORDERING INFORMATION

HOUSING	TRIM	DRIVER	FINISH	APERTURE LENS
1250-LEDX__-OPH				
Plaster Frame Collar 827 = 2700K 80CRI 927 = 2700K 95CRI 830 = 3000K 80CRI 930 = 3000K 95CRI	FT = Flanged Trim ST = Shower Trim	HE = 720lm HO = 1000lm 220-240v, 0-10v control add DM for phase control dimming	WHT = White BLK = Black	82A = Frosted Supertex



Single lamp, solid state light engine recessed wall washer with nominal 100mm conical aperture.

TYPE: _____

JOB: _____

SPECIFIER: _____

SPECIFICATIONS

HOUSING - Precision die-cast flanged ceiling collar.

SOCKET - Die-formed aluminum yoke. Ulsocket™ allows easy field replacement of light engine.

MOUNTING - Install from below in architectural ceiling.

ELECTRICAL - Complete with driver compatible with 0-10v or phase control dimming. Available in High Output or High Efficiency configurations.

LENS - Supertex borosilicate spread lens, hinged for relamping. Alzak kick reflector.

TRIM - Flanged die-cast aluminum conical shield with arched aperture.

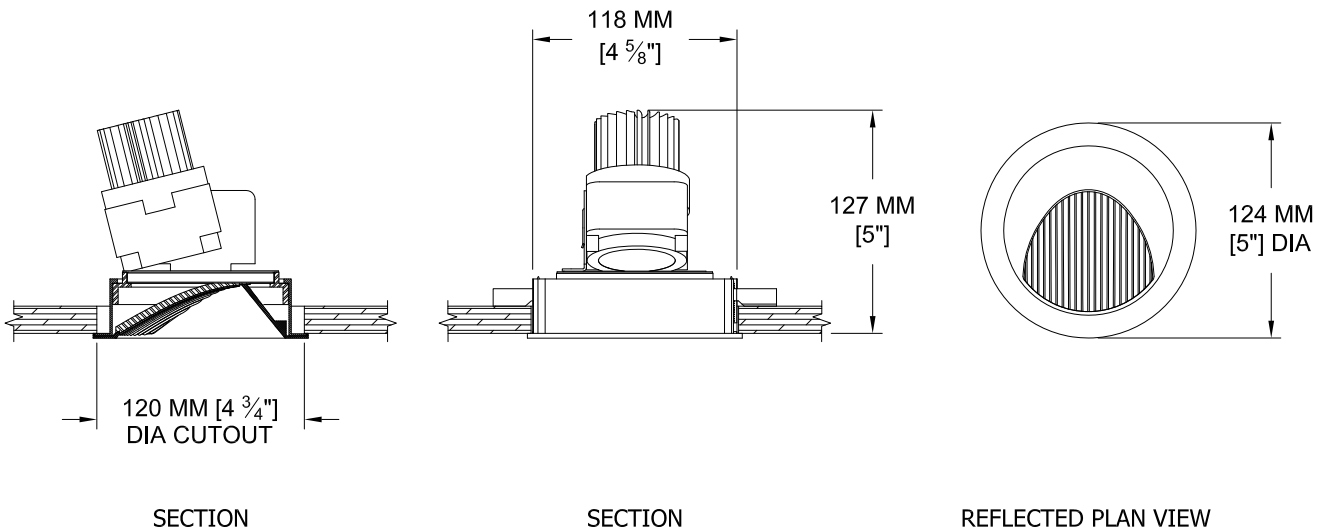
LAMP - Xicato LED supplied with fixture. Other engines available consult factory.

FINISH - Aperture trim available in black and white.

LABELS - CE, IP20, IP54 with Shower Trim

APPLICATIONS

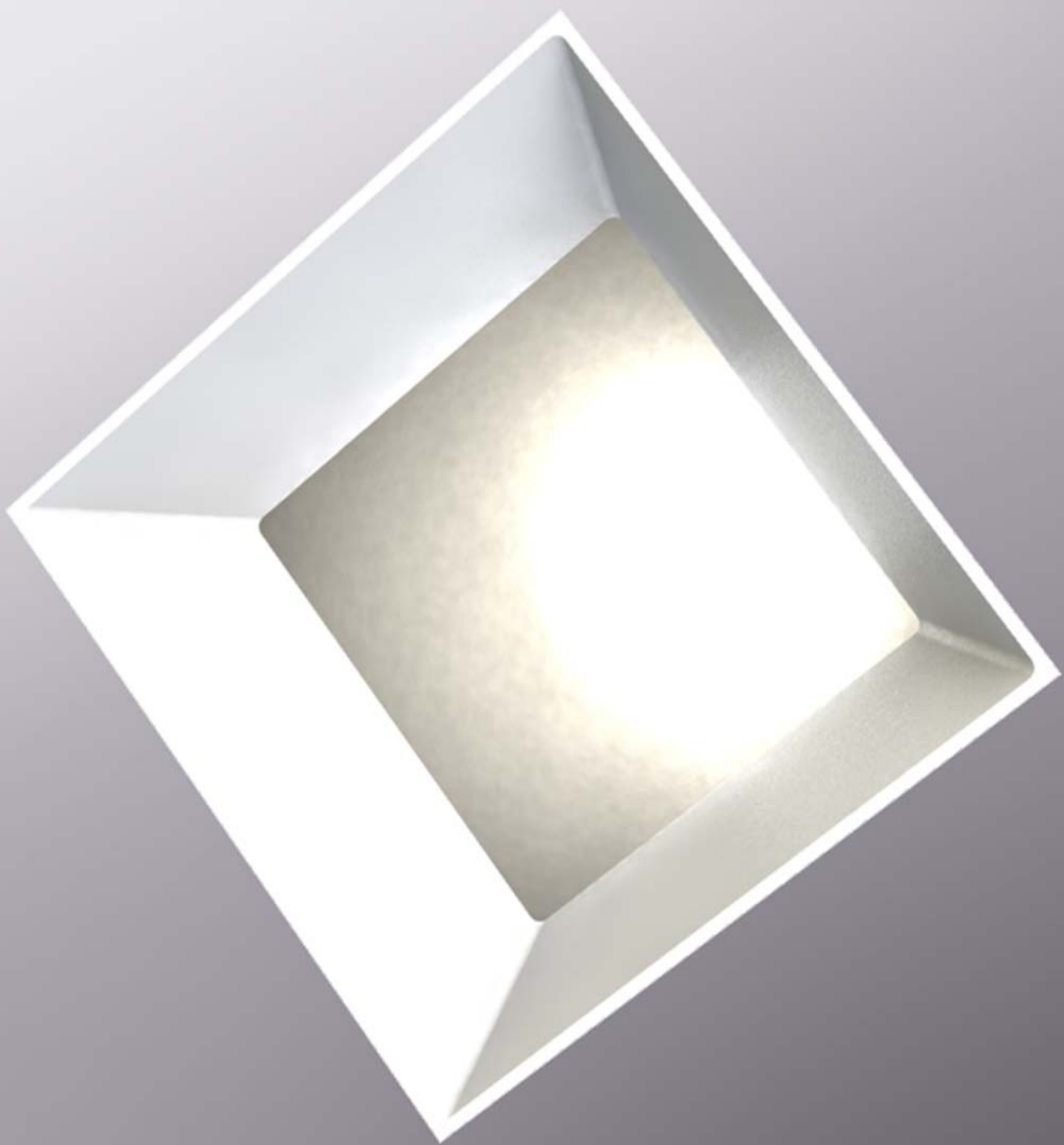
Wallwashing in low to medium ceiling heights typically found in residential, commercial and retail applications. Suitable for new or existing construction.



ORDERING INFORMATION

HOUSING	TRIM	DRIVER	FINISH	APERTURE LENS
1250-LEDX__-OFH				
Flanged Ceiling Collar 827 = 2700K 80CRI 927 = 2700K 95CRI 830 = 3000K 80CRI 930 = 3000K 95CRI	FT = Flanged Trim ST = Shower Trim	HE = 720lm HO = 1000lm 220-240v, 0-10v control add DM for phase control dimming	WHT = White BLK = Black	82A = Frosted Supertex





Single lamp, solid state light engine, recessed down light with conical trim 50mm aperture and optional glass diffuser.

TYPE: _____

JOB: _____

SPECIFIER: _____

SPECIFICATIONS

HOUSING - Precision die-cast ceiling collar with integral mud ring and screed edge.

SOCKET - Die-formed aluminum yoke. Ulsocket™ allows easy field replacement of light engine.

MOUNTING - Install from below in sheetrock or plaster.

ELECTRICAL - Complete with driver compatible with 0-10v or phase control dimming. Available in High Output or High Efficiency configurations.

OPTICS - Multiple beamspreads. Optional borosilicate lenses available for aperture.

TRIM - Flangeless die-cast aluminum conical shield with pinhole aperture.

LAMP - BridgeLux LED supplied with fixture. Other engines available consult factory.

FINISH - Aperture trim available in black and white.

LABELS - CE IP20, IP54 with Shower Trim.

APPLICATIONS

Down lighting in low to medium ceiling heights typically found in residential, commercial and retail applications. Suitable for new or existing construction.



SECTION

SECTION

REFLECTED PLAN VIEW

ORDERING INFORMATION

HOUSING	TRIM	BEAM SPREAD	DRIVER	TRIM FINISH	APERTURE LENS
4001-LEDB__-OPH					
Plaster Frame Collar CRI CCT 8 = 80 27 = 2700K 9 = 95 30 = 3000K 35 = 3500K	ST = Shower Trim ZT = Zero Trim	10 = 10 Degrees 20 = 20 Degrees 30 = 30 Degrees 40 = 40 Degrees	HE = 720lm HO = 1000lm 220-240v, 0-10v control add DM for phase control dimming	WHT = White BLK = Black	Blank = None 91A = Solite 92A = Supertex 93A = Sandblasted 95A = Full Prismatic



SPECIALTY LIGHTING INDUSTRIES, INC.

NOTE: These specifications subject to change without notice.

www.specialtylightingindustries.com

1306 DORIS AVENUE, OCEAN, NJ 07712 USA 800.462.7812 732.517.0800 FAX 732.517.0971 © 01/14

Single lamp, solid state light engine, recessed down light with conical trim 50mm aperture and optional glass diffuser.

TYPE: _____

JOB: _____

SPECIFIER: _____

SPECIFICATIONS

HOUSING - Precision die-cast flanged ceiling collar.

SOCKET - Die-formed aluminum yoke. Usocket™ allows easy field replacement of light engine.

MOUNTING - Install from below in architectural ceiling.

ELECTRICAL - Complete with driver compatible with 0-10v or phase control dimming. Available in High Output or High Efficiency configurations.

OPTICS - Multiple beamspreads. Optional borosilicate lenses available for aperture.

TRIM - Flanged die-cast aluminum conical shield with pinhole aperture.

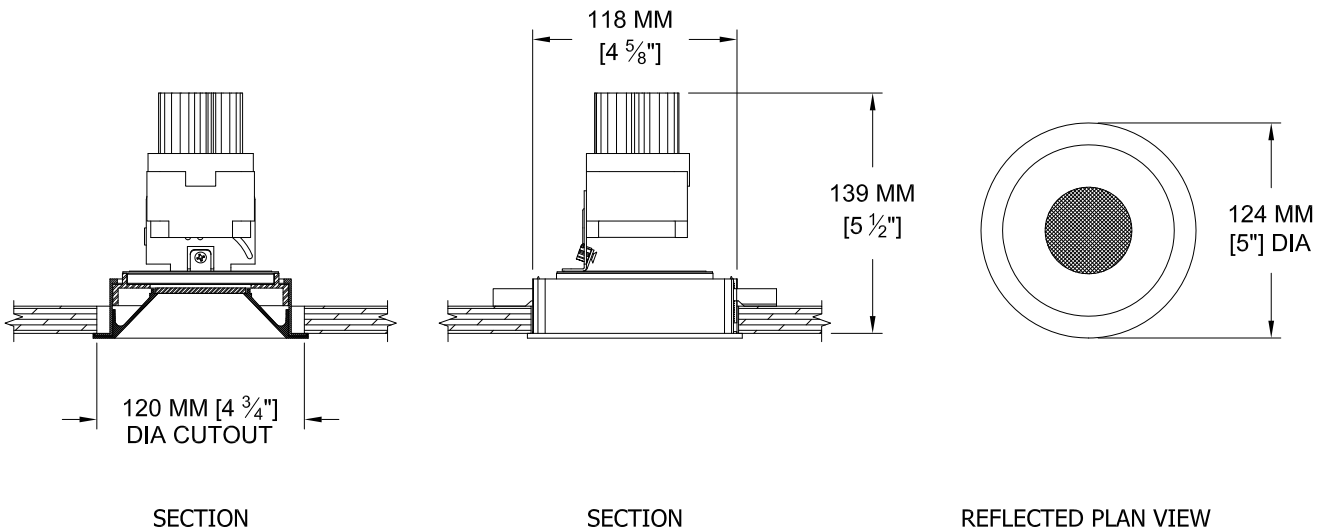
LAMP - BridgeLux LED supplied with fixture. Other engines available consult factory.

FINISH - Aperture trim available in black and white.

LABELS - CE IP20, IP54 with Shower Trim.

APPLICATIONS

Down lighting in low to medium ceiling heights typically found in residential, commercial and retail applications. Suitable for new or existing construction.



ORDERING INFORMATION

HOUSING	TRIM	BEAM SPREAD	DRIVER	TRIM FINISH	APERTURE LENS
4001-LEDB__-OFH					
Flanged Ceiling Collar CRI CCT 8 = 80 27 = 2700K 9 = 95 30 = 3000K 35 = 3500K	FT = Flanged Trim ST = Shower Trim	10 = 10 Degrees 20 = 20 Degrees 30 = 30 Degrees 40 = 40 Degrees	HE = 720lm HO = 1000lm 220-240v, 0-10v control add DM for phase control dimming	WHT = White BLK = Black	Blank = None 91A = Solite 92A = Supertex 93A = Sandblasted 95A = Full Prismatic



SPECIALTY LIGHTING INDUSTRIES, INC.

NOTE: These specifications subject to change without notice.

www.specialtylightingindustries.com

1306 DORIS AVENUE, OCEAN, NJ 07712 USA 800.462.7812 732.517.0800 FAX 732.517.0971 © 01/14

Single lamp, solid state light engine, recessed down light with conical trim 50mm aperture and optional glass diffuser.

TYPE: _____

JOB: _____

SPECIFIER: _____

SPECIFICATIONS

HOUSING - Precision die-cast ceiling collar with integral mud ring and screed edge.

SOCKET - Die-formed aluminum yoke. Ulsocket™ allows easy field replacement of light engine.

MOUNTING - Install from below in sheetrock or plaster.

ELECTRICAL - Complete with driver compatible with 0-10v or phase control dimming. Available in High Output or High Efficiency configurations.

OPTICS - Multiple beamspreads. Optional borosilicate lenses available for aperture.

TRIM - Flangeless die-cast aluminum conical shield with pinhole aperture.

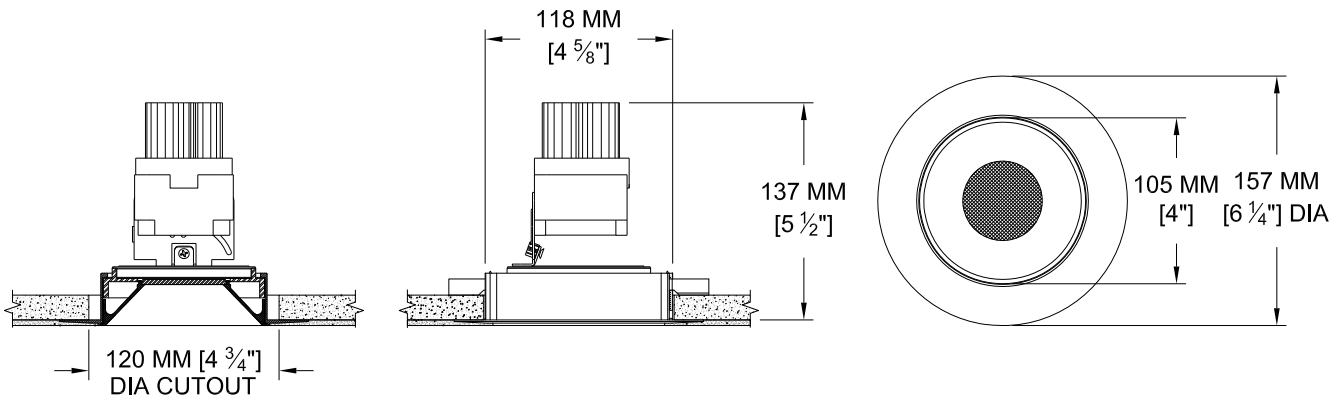
LAMP - Xicato LED supplied with fixture. Other engines available consult factory.

FINISH - Aperture trim available in black and white.

LABELS - CE IP20, IP54 with Shower Trim.

APPLICATIONS

Down lighting in low to medium ceiling heights typically found in residential, commercial and retail applications. Suitable for new or existing construction.



SECTION

SECTION

REFLECTED PLAN VIEW

ORDERING INFORMATION

HOUSING	TRIM	BEAM SPREAD	DRIVER	TRIM FINISH	APERTURE LENS
4001-LEDX__-OPH					
Plaster Frame Collar 827 = 2700K 80CRI 927 = 2700K 95CRI 830 = 3000K 80CRI 930 = 3000K 95CRI	ST = Shower Trim ZT = Zero Trim	10 = 10 Degrees 20 = 20 Degrees 30 = 30 Degrees 40 = 40 Degrees	HE = 720lm HO = 1000lm 220-240v, 0-10v control add DM for phase control dimming	WHT = White BLK = Black	Blank = None 91A = Solite 92A = Supertex 93A = Sandblasted 95A = Full Prismatic



SPECIALTY LIGHTING INDUSTRIES, INC.

NOTE: These specifications subject to change without notice.

www.specialtylightingindustries.com

1306 DORIS AVENUE, OCEAN, NJ 07712 USA 800.462.7812 732.517.0800 FAX 732.517.0971 © 12/12

Single lamp, solid state light engine, recessed down light with conical trim 50mm aperture and optional glass diffuser.

TYPE: _____

JOB: _____

SPECIFIER: _____

SPECIFICATIONS

HOUSING - Precision die-cast flanged ceiling collar.

SOCKET - Die-formed aluminum yoke. Usocket™ allows easy field replacement of light engine.

MOUNTING - Install from below in architectural ceiling.

ELECTRICAL - Complete with driver compatible with 0-10v or phase control dimming. Available in High Output or High Efficiency configurations.

OPTICS - Multiple beamspreads. Optional borosilicate lenses available for aperture.

TRIM - Flanged die-cast aluminum conical shield with pinhole aperture.

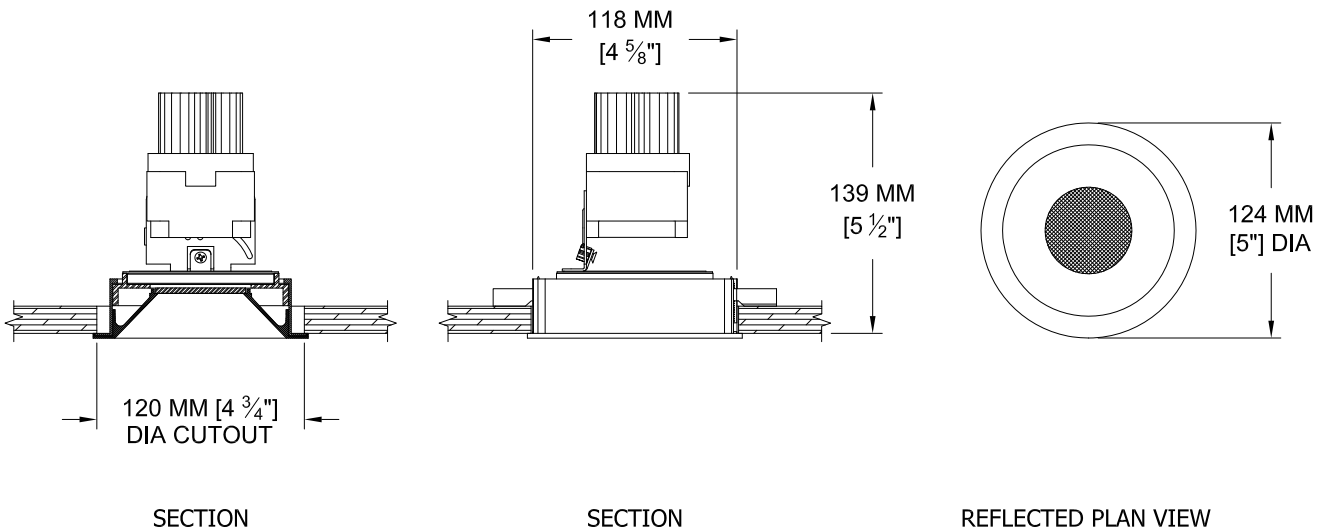
LAMP - Xicato LED supplied with fixture. Other engines available consult factory.

FINISH - Aperture trim available in black and white.

LABELS - CE IP20, IP54 with Shower Trim.

APPLICATIONS

Down lighting in low to medium ceiling heights typically found in residential, commercial and retail applications. Suitable for new or existing construction.



ORDERING INFORMATION

HOUSING	TRIM	BEAM SPREAD	DRIVER	TRIM FINISH	APERTURE LENS
4001-LEDX__-OFH					
Flanged Ceiling Collar 827 = 2700K 80CRI 927 = 2700K 95CRI 830 = 3000K 80CRI 930 = 3000K 95CRI	FT = Flanged Trim ST = Shower Trim	10 = 10 Degrees 20 = 20 Degrees 30 = 30 Degrees 40 = 40 Degrees	HE = 720lm HO = 1000lm 220-240v, 0-10v control add DM for phase control dimming	WHT = White BLK = Black	Blank = None 91A = Solite 92A = Supertex 93A = Sandblasted 95A = Full Prismatic



SPECIALTY LIGHTING INDUSTRIES, INC.

NOTE: These specifications subject to change without notice.

www.specialtylightingindustries.com

1306 DORIS AVENUE, OCEAN, NJ 07712 USA 800.462.7812 732.517.0800 FAX 732.517.0971 © 12/12

Single lamp, solid state light engine, recessed accent light with nominal 100mm square aperture and optional glass diffuser.

TYPE: _____

JOB: _____

SPECIFIER: _____

SPECIFICATIONS

HOUSING - Precision die-cast ceiling collar with integral mud ring and screed edge.

MOUNTING - Install from below in sheetrock or plaster.

ELECTRICAL - Complete with driver compatible with 0-10v or phase control dimming. Available in High Output or High Efficiency configurations.

LAMP - BridgeLux LED supplied with fixture. Other engines available consult factory.

LABELS - CE IP20, IP54 with Shower Trim.

SOCKET - Auto-locking, hot aiming precision die-formed aluminum yoke. Ulsocket™ allows easy field replacement of light engine.

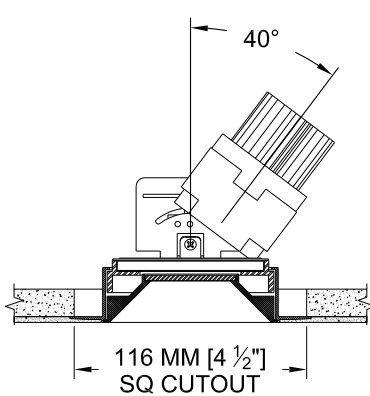
OPTICS - Multiple beamspreads. Optional borosilicate lenses available for aperture.

TRIM - Flangeless die-cast aluminum pyramidal shield with 50mm aperture.

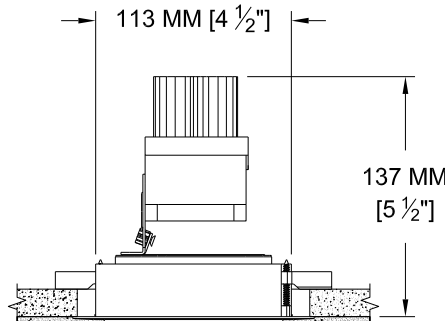
FINISH - Aperture trim available in black and white.

APPLICATIONS

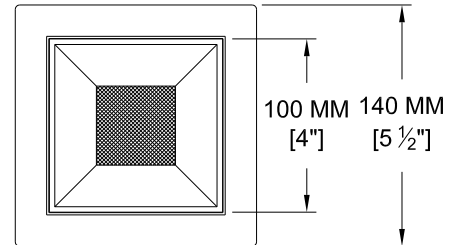
Accent and downlighting in low to medium ceiling heights typically found in residential, commercial and retail applications. Suitable for new or existing construction.



SECTION



SECTION



REFLECTED PLAN VIEW

ORDERING INFORMATION

HOUSING	TRIM	BEAM SPREAD	DRIVER	TRIM FINISH	APERTURE LENS
1009-LEDB__-OPH					
Plaster Frame Collar CRI CCT 8 = 80 27 = 2700K 9 = 95 30 = 3000K 35 = 3500K	ST = Shower Trim ZT = Zero Trim	10 = 10 Degrees 20 = 20 Degrees 30 = 30 Degrees 40 = 40 Degrees	HE = 720lm HO = 1000lm 220-240v, 0-10v control add DM for phase control dimming	WHT = White BLK = Black	Blank = None 91A = Solite 92A = Supertex 93A = Sandblasted 95A = Full Prismatic



SPECIALTY LIGHTING INDUSTRIES, INC.

NOTE: These specifications subject to change without notice.

www.specialtylightingindustries.com

1306 DORIS AVENUE, OCEAN, NJ 07712 USA 800.462.7812 732.517.0800 FAX 732.517.0971 © 01/14

Single lamp, solid state light engine, recessed accent light with nominal 100mm square aperture and optional glass diffuser.

TYPE: _____

JOB: _____

SPECIFIER: _____

SPECIFICATIONS

HOUSING - Precision die-cast flanged ceiling collar.

MOUNTING - Install from below in architectural ceiling.

ELECTRICAL - Complete with driver compatible with 0-10v or phase control dimming. Available in High Output or High Efficiency configurations.

LAMP - BridgeLux LED supplied with fixture. Other engines available consult factory.

LABELS - CE IP20, IP54 with Shower Trim.

SOCKET - Auto-locking, hot aiming precision die-formed aluminum yoke. Ulsocket™ allows easy field replacement of light engine.

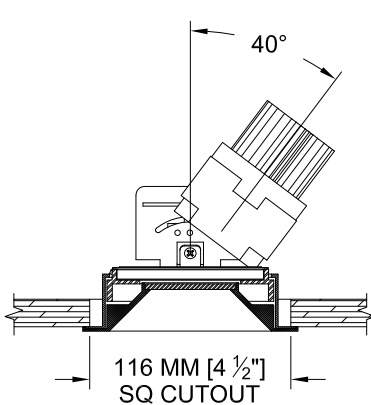
OPTICS - Multiple beamspreads. Optional borosilicate lenses available for aperture.

TRIM - Flanged die-cast aluminum pyramidal shield with 50mm aperture.

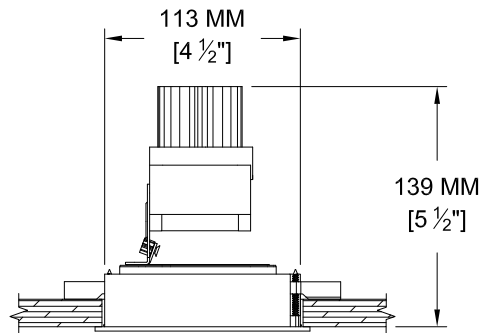
FINISH - Aperture trim available in black and white.

APPLICATIONS

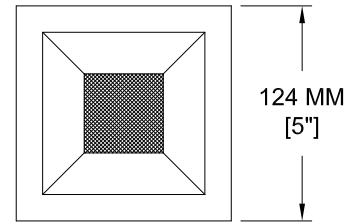
Accent and downlighting in low to medium ceiling heights typically found in residential, commercial and retail applications. Suitable for new or existing construction.



SECTION



SECTION



REFLECTED PLAN VIEW

ORDERING INFORMATION

HOUSING	TRIM	BEAM SPREAD	DRIVER	TRIM FINISH	APERTURE LENS
1009-LEDB__-OFH					
Flanged Ceiling Collar CRI CCT 8 = 80 27 = 2700K 9 = 95 30 = 3000K 35 = 3500K	FT = Flanged Trim ST = Shower Trim	10 = 10 Degrees 20 = 20 Degrees 30 = 30 Degrees 40 = 40 Degrees	HE = 720lm HO = 1000lm 220-240v, 0-10v control add DM for phase control dimming	WHT = White BLK = Black	Blank = None 91A = Solite 92A = Supertex 93A = Sandblasted 95A = Full Prismatic



**SPECIALTY LIGHTING
INDUSTRIES, INC.**

NOTE: These specifications subject to change without notice.

www.specialtylightingindustries.com

1306 DORIS AVENUE, OCEAN, NJ 07712 USA 800.462.7812 732.517.0800 FAX 732.517.0971 © 01/14



Single lamp, solid state light engine, recessed accent light with nominal 100mm square aperture and optional glass diffuser.

TYPE: _____

JOB: _____

SPECIFIER: _____

SPECIFICATIONS

HOUSING - Precision die-cast ceiling collar with integral mud ring and screed edge.

MOUNTING - Install from below in sheetrock or plaster.

ELECTRICAL - Complete with driver compatible with 0-10v or phase control dimming. Available in High Output or High Efficiency configurations.

LAMP - Xicato LED supplied with fixture. Other engines available consult factory.

LABELS - CE IP20, IP54 with Shower Trim.

SOCKET - Auto-locking, hot aiming precision die-formed aluminum yoke. Ulsocket™ allows easy field replacement of light engine.

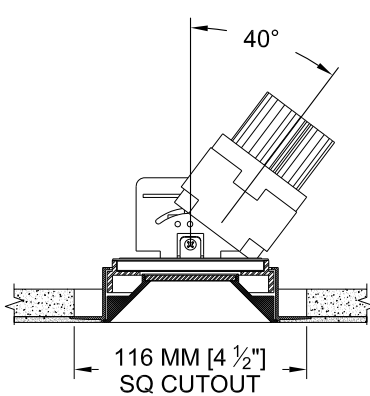
OPTICS - Multiple beamspreads. Optional borosilicate lenses available for aperture.

TRIM - Flangeless die-cast aluminum pyramidal shield with 50mm aperture.

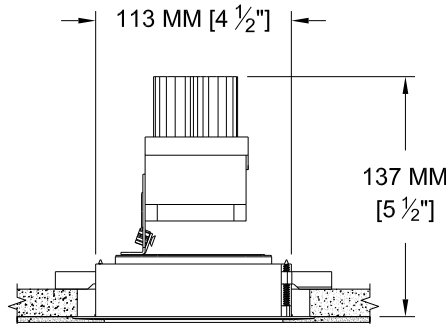
FINISH - Aperture trim available in black and white.

APPLICATIONS

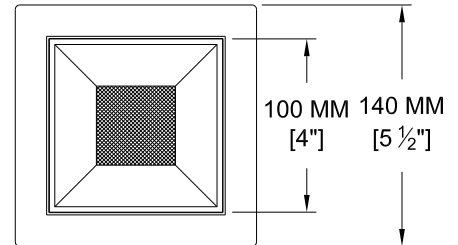
Accent and downlighting in low to medium ceiling heights typically found in residential, commercial and retail applications. Suitable for new or existing construction.



SECTION



SECTION



REFLECTED PLAN VIEW

ORDERING INFORMATION

HOUSING	TRIM	BEAM SPREAD	DRIVER	TRIM FINISH	APERTURE LENS
1009-LEDX__-OPH					
Plaster Frame Collar 827 = 2700K 80CRI 927 = 2700K 95CRI 830 = 3000K 80CRI 930 = 3000K 95CRI	ST = Shower Trim ZT = Zero Trim	10 = 10 Degrees 20 = 20 Degrees 30 = 30 Degrees 40 = 40 Degrees	HE = 720lm HO = 1000lm 220-240v, 0-10v control add DM for phase control dimming	WHT = White BLK = Black	Blank = None 91A = Solite 92A = Supertex 93A = Sandblasted 95A = Full Prismatic



SPECIALTY LIGHTING INDUSTRIES, INC.

NOTE: These specifications subject to change without notice.

www.specialtylightingindustries.com

1306 DORIS AVENUE, OCEAN, NJ 07712 USA 800.462.7812 732.517.0800 FAX 732.517.0971 © 12/12

Single lamp, solid state light engine, recessed accent light with nominal 100mm square aperture and optional glass diffuser.

TYPE: _____

JOB: _____

SPECIFIER: _____

SPECIFICATIONS

HOUSING - Precision die-cast flanged ceiling collar.

MOUNTING - Install from below in architectural ceiling.

ELECTRICAL - Complete with driver compatible with 0-10v or phase control dimming. Available in High Output or High Efficiency configurations.

LAMP - Xicato LED supplied with fixture. Other engines available consult factory.

LABELS - CE IP20, IP54 with Shower Trim.

SOCKET - Auto-locking, hot aiming precision die-formed aluminum yoke. Ulsocket™ allows easy field replacement of light engine.

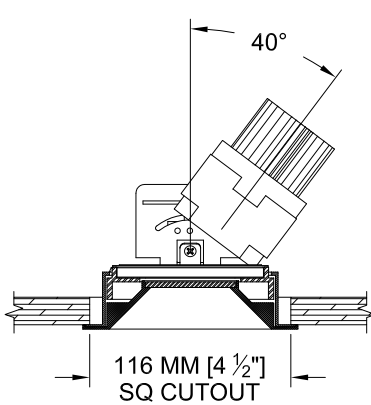
OPTICS - Multiple beamspreads. Optional borosilicate lenses available for aperture.

TRIM - Flanged die-cast aluminum pyramidal shield with 50mm aperture.

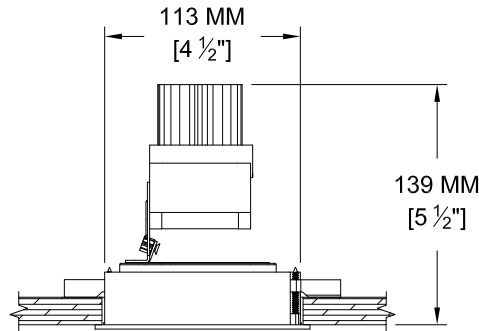
FINISH - Aperture trim available in black and white.

APPLICATIONS

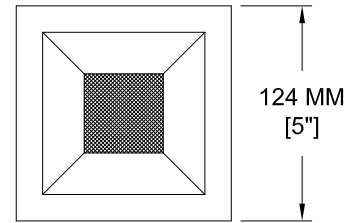
Accent and downlighting in low to medium ceiling heights typically found in residential, commercial and retail applications. Suitable for new or existing construction.



SECTION



SECTION



REFLECTED PLAN VIEW

ORDERING INFORMATION

HOUSING	TRIM	BEAM SPREAD	DRIVER	TRIM FINISH	APERTURE LENS
1009-LEDX__-OFH					
Flanged Ceiling Collar 827 = 2700K 80CRI 927 = 2700K 95CRI 830 = 3000K 80CRI 930 = 3000K 95CRI	FT = Flanged Trim ST = Shower Trim	10 = 10 Degrees 20 = 20 Degrees 30 = 30 Degrees 40 = 40 Degrees	HE = 720lm HO = 1000lm 220-240v, 0-10v control add DM for phase control dimming	WHT = White BLK = Black	Blank = None 91A = Solite 92A = Supertex 93A = Sandblasted 95A = Full Prismatic



SPECIALTY LIGHTING INDUSTRIES, INC.

NOTE: These specifications subject to change without notice.

www.specialtylightingindustries.com

1306 DORIS AVENUE, OCEAN, NJ 07712 USA 800.462.7812 732.517.0800 FAX 732.517.0971 © 12/12

Single lamp, solid state light engine recessed wall washer with nominal 100mm square aperture.

TYPE: _____

JOB: _____

SPECIFIER: _____

SPECIFICATIONS

HOUSING - Precision die-cast ceiling collar with integral mud ring and screed edge.

SOCKET - Die-formed aluminum yoke. Usocket™ allows easy field replacement of light engine.

MOUNTING - Install from below in sheetrock or plaster.

ELECTRICAL - Complete with driver compatible with 0-10v or phase control dimming. Available in High Output or High Efficiency configurations.

LENS - Supertex borosilicate spread lens, hinged for relamping. Alzak kick reflector.

TRIM - Flangeless die-cast aluminum pyramidal shield.

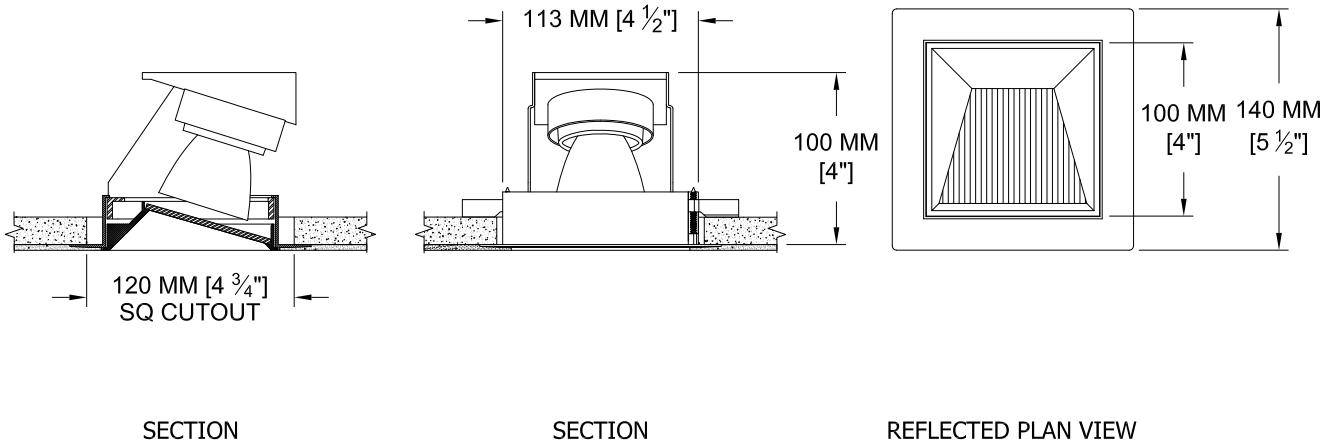
LAMP - BridgeLux LED supplied with fixture. Other engines available consult factory.

FINISH - Aperture trim available in black and white.

LABELS - CE, IP20, IP54 with Shower Trim

APPLICATIONS

Wallwashing in low to medium ceiling heights typically found in residential, commercial and retail applications. Suitable for new or existing construction.



ORDERING INFORMATION

HOUSING	TRIM	DRIVER	FINISH	APERTURE LENS
1240-LEDB__-OPH				
Plaster Frame Collar CRI CCT 8 = 80 27 = 2700K 9 = 95 30 = 3000K 35 = 3500K	FT = Flanged Trim ST = Shower Trim	HE = 720lm HO = 1000lm 220-240v, 0-10v control add DM for phase control dimming	WHT = White BLK = Black	82A = Frosted Supertex



SPECIALTY LIGHTING INDUSTRIES, INC.

NOTE: These specifications subject to change without notice.

www.specialtylightingindustries.com

1306 DORIS AVENUE, OCEAN, NJ 07712 USA 800.462.7812 732.517.0800 FAX 732.517.0971 © 01/14

Single lamp, solid state light engine recessed wall washer with nominal 100mm square aperture.

TYPE: _____

JOB: _____

SPECIFIER: _____

SPECIFICATIONS

HOUSING - Precision die-cast flanged ceiling collar.

SOCKET - Die-formed aluminum yoke. Usocket™ allows easy field replacement of light engine.

MOUNTING - Install from below in architectural ceiling.

ELECTRICAL - Complete with driver compatible with 0-10v or phase control dimming. Available in High Output or High Efficiency configurations.

LENS - Supertex borosilicate spread lens, hinged for relamping. Alzak kick reflector.

TRIM - Flanged die-cast aluminum pyramidal shield.

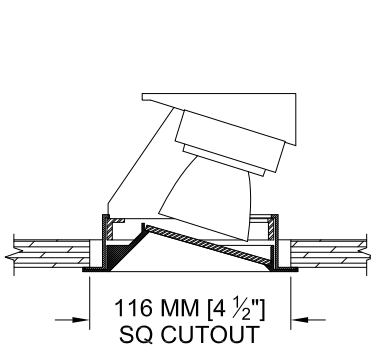
LAMP - BridgeLux LED supplied with fixture. Other engines available consult factory.

FINISH - Aperture trim available in black and white.

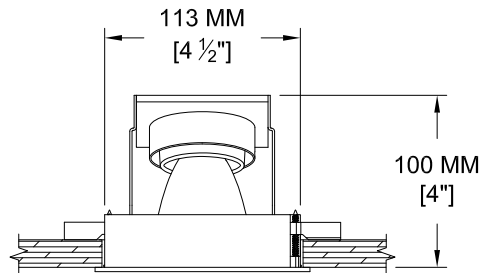
LABELS - CE, IP20, IP54 with Shower Trim

APPLICATIONS

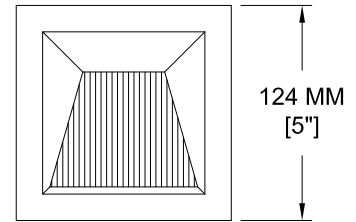
Wallwashing in low to medium ceiling heights typically found in residential, commercial and retail applications. Suitable for new or existing construction.



SECTION



SECTION



REFLECTED PLAN VIEW

ORDERING INFORMATION

HOUSING	TRIM	DRIVER	FINISH	APERTURE LENS
1240-LEDB__-OFH				
Flanged Ceiling Collar CRI CCT 8 = 80 27 = 2700K 9 = 95 30 = 3000K 35 = 3500K	FT = Flanged Trim ST = Shower Trim	HE = 720lm HO = 1000lm 220-240v, 0-10v control add DM for phase control dimming	WHT = White BLK = Black	82A = Frosted Supertex



SPECIALTY LIGHTING INDUSTRIES, INC.

NOTE: These specifications subject to change without notice.

www.specialtylightingindustries.com

1306 DORIS AVENUE, OCEAN, NJ 07712 USA 800.462.7812 732.517.0800 FAX 732.517.0971 © 1/14



Single lamp, solid state light engine recessed wall washer with nominal 100mm square aperture.

TYPE: _____

JOB: _____

SPECIFIER: _____

SPECIFICATIONS

HOUSING - Precision die-cast ceiling collar with integral mud ring and screed edge.

SOCKET - Die-formed aluminum yoke. Usocket™ allows easy field replacement of light engine.

MOUNTING - Install from below in sheetrock or plaster.

ELECTRICAL - Complete with driver compatible with 0-10v or phase control dimming. Available in High Output or High Efficiency configurations.

LENS - Supertex borosilicate spread lens, hinged for relamping. Alzak kick reflector.

TRIM - Flangeless die-cast aluminum pyramidal shield.

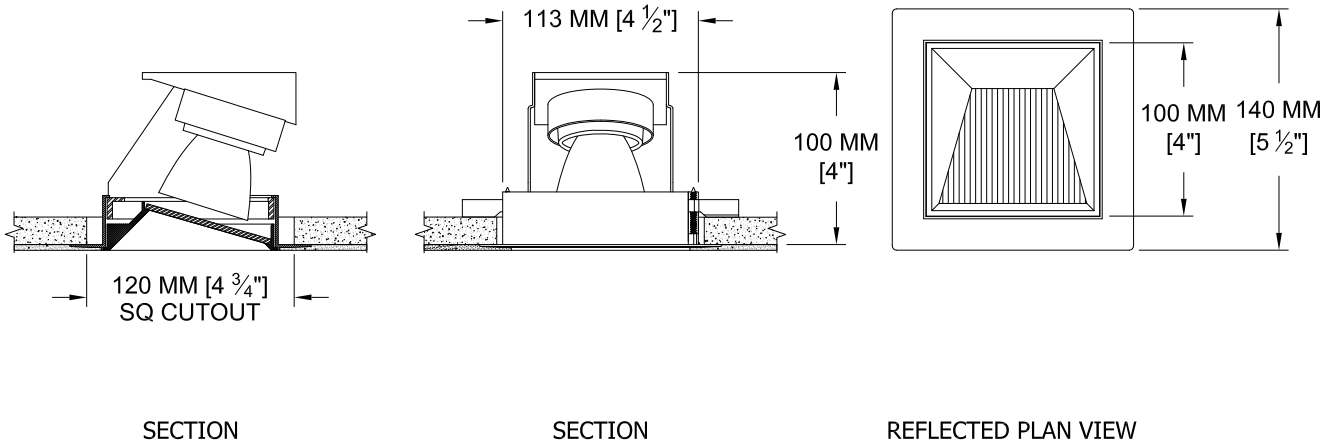
LAMP - Xicato LED supplied with fixture. Other engines available consult factory.

FINISH - Aperture trim available in black and white.

LABELS - CE, IP20, IP54 with Shower Trim

APPLICATIONS

Wallwashing in low to medium ceiling heights typically found in residential, commercial and retail applications. Suitable for new or existing construction.



ORDERING INFORMATION

HOUSING	TRIM	DRIVER	FINISH	APERTURE LENS
1240-LEDX__-OPH				
Plaster Frame Collar 827 = 2700K 80CRI 927 = 2700K 95CRI 830 = 3000K 80CRI 930 = 3000K 95CRI	FT = Flanged Trim ST = Shower Trim	HE = 720lm HO = 1000lm 220-240v, 0-10v control add DM for phase control dimming	WHT = White BLK = Black	82A = Frosted Supertex



SPECIALTY LIGHTING INDUSTRIES, INC.

NOTE: These specifications subject to change without notice.

www.specialtylightingindustries.com

1306 DORIS AVENUE, OCEAN, NJ 07712 USA 800.462.7812 732.517.0800 FAX 732.517.0971 © 12/12

Single lamp, solid state light engine recessed wall washer with nominal 100mm square aperture.

TYPE: _____

JOB: _____

SPECIFIER: _____

SPECIFICATIONS

HOUSING - Precision die-cast flanged ceiling collar.

SOCKET - Die-formed aluminum yoke. Usocket™ allows easy field replacement of light engine.

MOUNTING - Install from below in architectural ceiling.

ELECTRICAL - Complete with driver compatible with 0-10v or phase control dimming. Available in High Output or High Efficiency configurations.

LENS - Supertex borosilicate spread lens, hinged for relamping. Alzak kick reflector.

TRIM - Flanged die-cast aluminum pyramidal shield.

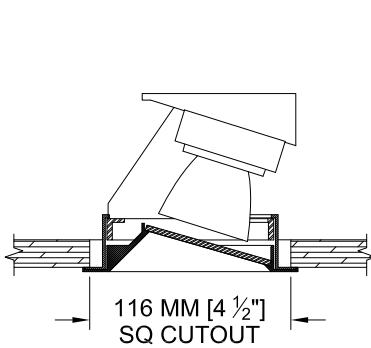
LAMP - Xicato LED supplied with fixture. Other engines available consult factory.

FINISH - Aperture trim available in black and white.

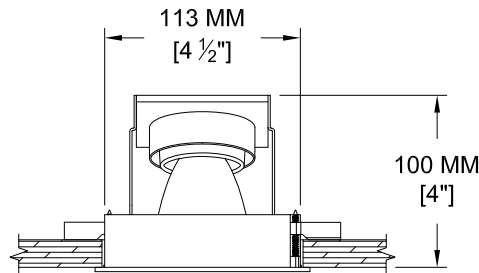
LABELS - CE, IP20, IP54 with Shower Trim

APPLICATIONS

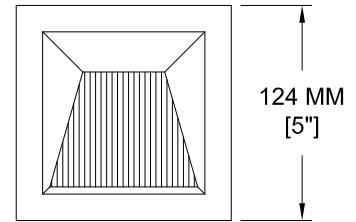
Wallwashing in low to medium ceiling heights typically found in residential, commercial and retail applications. Suitable for new or existing construction.



SECTION



SECTION



REFLECTED PLAN VIEW

ORDERING INFORMATION

HOUSING	TRIM	DRIVER	FINISH	APERTURE LENS
1240-LEDX__-OFH				
Flanged Ceiling Collar 827 = 2700K 80CRI 927 = 2700K 95CRI 830 = 3000K 80CRI 930 = 3000K 95CRI	FT = Flanged Trim ST = Shower Trim	HE = 720lm HO = 1000lm 220-240v, 0-10v control add DM for phase control dimming	WHT = White BLK = Black	82A = Frosted Supertex



SPECIALTY LIGHTING INDUSTRIES, INC.

NOTE: These specifications subject to change without notice.

www.specialtylightingindustries.com

1306 DORIS AVENUE, OCEAN, NJ 07712 USA 800.462.7812 732.517.0800 FAX 732.517.0971 © 12/12

Single lamp, solid state light engine, recessed accent light with nominal 100mm square aperture and optional glass diffuser.

TYPE: _____

JOB: _____

SPECIFIER: _____

SPECIFICATIONS

HOUSING - Precision die-cast ceiling collar with integral mud ring and screed edge.

SOCKET - Die-formed aluminum yoke. Usocket™ allows easy field replacement of light engine.

MOUNTING - Install from below in sheetrock or plaster.

ELECTRICAL - Complete with driver compatible with 0-10v or phase control dimming. Available in High Output or High Efficiency configurations.

OPTICS - Multiple beamspreads. Optional borosilicate lenses available for aperture.

TRIM - Flangeless die-cast aluminum pyramidal shield with 50mm aperture.

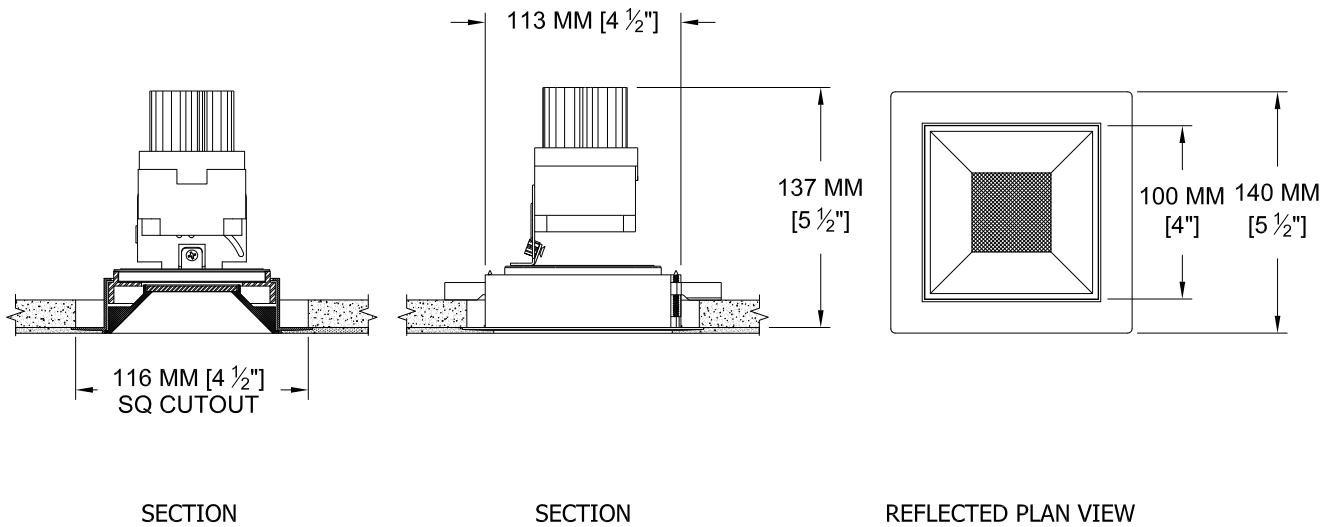
LAMP - BridgeLux LED supplied with fixture. Other engines available consult factory.

FINISH - Aperture trim available in black and white.

LABELS - CE IP20, IP54 with Shower Trim.

APPLICATIONS

Down lighting in low to medium ceiling heights typically found in residential, commercial and retail applications. Suitable for new or existing construction.



ORDERING INFORMATION

HOUSING	TRIM	BEAM SPREAD	DRIVER	TRIM FINISH	APERTURE LENS
4009-LEDB__-OPH					
Plaster Frame Collar CRI CCT 8 = 80 27 = 2700K 9 = 95 30 = 3000K 35 = 3500K	ST = Shower Trim ZT = Zero Trim	10 = 10 Degrees 20 = 20 Degrees 30 = 30 Degrees 40 = 40 Degrees	HE = 720lm HO = 1000lm 220-240v, 0-10v control add DM for phase control dimming	WHT = White BLK = Black	Blank = None 91A = Solite 92A = Supertex 93A = Sandblasted 95A = Full Prismatic



SPECIALTY LIGHTING INDUSTRIES, INC.

NOTE: These specifications subject to change without notice.

www.specialtylightingindustries.com

1306 DORIS AVENUE, OCEAN, NJ 07712 USA 800.462.7812 732.517.0800 FAX 732.517.0971 © 01/14

Single lamp, solid state light engine, recessed accent light with nominal 100mm square aperture and optional glass diffuser.

TYPE: _____

JOB: _____

SPECIFIER: _____

SPECIFICATIONS

HOUSING - Precision die-cast flanged ceiling collar.

SOCKET - Die-formed aluminum yoke. Ulsocket™ allows easy field replacement of light engine.

MOUNTING - Install from below in architectural ceiling.

ELECTRICAL - Complete with driver compatible with 0-10v or phase control dimming. Available in High Output or High Efficiency configurations.

OPTICS - Multiple beamspreads. Optional borosilicate lenses available for aperture.

TRIM - Flanged die-cast aluminum pyramidal shield with 50mm aperture.

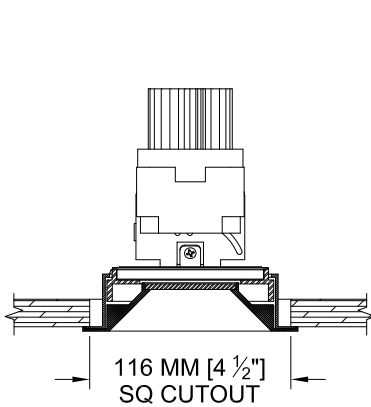
LAMP - BridgeLux LED supplied with fixture. Other engines available consult factory.

FINISH - Aperture trim available in black and white.

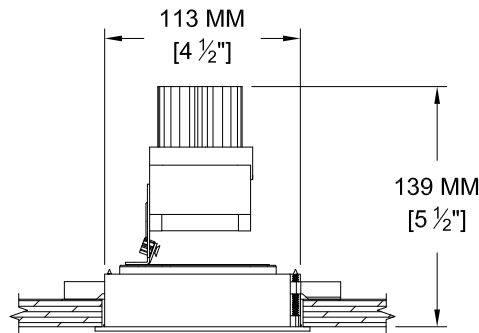
LABELS - CE IP20, IP54 with Shower Trim.

APPLICATIONS

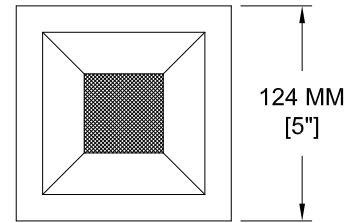
Down lighting in low to medium ceiling heights typically found in residential, commercial and retail applications. Suitable for new or existing construction.



SECTION



SECTION



REFLECTED PLAN VIEW

ORDERING INFORMATION

HOUSING	TRIM	BEAM SPREAD	DRIVER	TRIM FINISH	APERTURE LENS
4009-LEDB__-OFH					
Flanged Ceiling Collar CRI CCT 8 = 80 27 = 2700K 9 = 95 30 = 3000K 35 = 3500K	FT = Flanged Trim ST = Shower Trim	10 = 10 Degrees 20 = 20 Degrees 30 = 30 Degrees 40 = 40 Degrees	HE = 720lm HO = 1000lm 220-240v, 0-10v control add DM for phase control dimming	WHT = White BLK = Black	Blank = None 91A = Solite 92A = Supertex 93A = Sandblasted 95A = Full Prismatic



SPECIALTY LIGHTING INDUSTRIES, INC.

NOTE: These specifications subject to change without notice.

www.specialtylightingindustries.com

1306 DORIS AVENUE, OCEAN, NJ 07712 USA 800.462.7812 732.517.0800 FAX 732.517.0971 © 01/14

Single lamp, solid state light engine, recessed accent light with nominal 100mm square aperture and optional glass diffuser.

TYPE: _____

JOB: _____

SPECIFIER: _____

SPECIFICATIONS

HOUSING - Precision die-cast ceiling collar with integral mud ring and screed edge.

SOCKET - Die-formed aluminum yoke. Usocket™ allows easy field replacement of light engine.

MOUNTING - Install from below in sheetrock or plaster.

ELECTRICAL - Complete with driver compatible with 0-10v or phase control dimming. Available in High Output or High Efficiency configurations.

OPTICS - Multiple beamspreads. Optional borosilicate lenses available for aperture.

TRIM - Flangeless die-cast aluminum pyramidal shield with 50mm aperture.

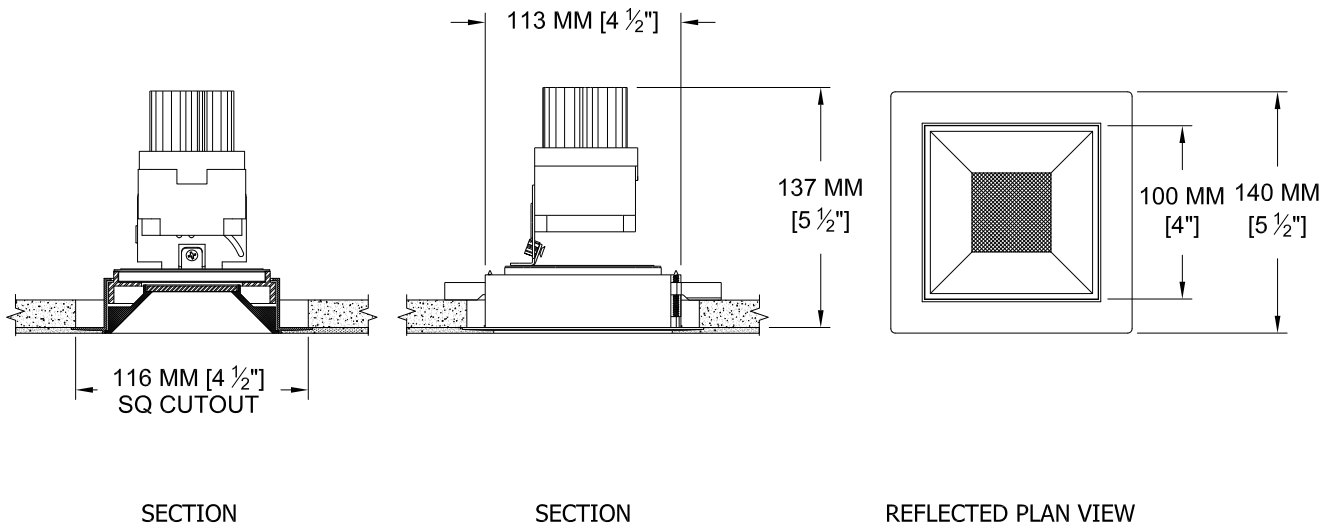
LAMP - Xicato LED supplied with fixture. Other engines available consult factory.

FINISH - Aperture trim available in black and white.

LABELS - CE IP20, IP54 with Shower Trim.

APPLICATIONS

Down lighting in low to medium ceiling heights typically found in residential, commercial and retail applications. Suitable for new or existing construction.



ORDERING INFORMATION

HOUSING	TRIM	BEAM SPREAD	DRIVER	TRIM FINISH	APERTURE LENS
4009-LEDX__-OPH					
Plaster Frame Collar 827 = 2700K 80CRI 927 = 2700K 95CRI 830 = 3000K 80CRI 930 = 3000K 95CRI	ST = Shower Trim ZT = Zero Trim	10 = 10 Degrees 20 = 20 Degrees 30 = 30 Degrees 40 = 40 Degrees	HE = 720lm HO = 1000lm 220-240v, 0-10v control add DM for phase control dimming	WHT = White BLK = Black	Blank = None 91A = Solite 92A = Supertex 93A = Sandblasted 95A = Full Prismatic



SPECIALTY LIGHTING INDUSTRIES, INC.

NOTE: These specifications subject to change without notice.

www.specialtylightingindustries.com

1306 DORIS AVENUE, OCEAN, NJ 07712 USA 800.462.7812 732.517.0800 FAX 732.517.0971 © 12/12

Single lamp, solid state light engine, recessed accent light with nominal 100mm square aperture and optional glass diffuser.

TYPE: _____

JOB: _____

SPECIFIER: _____

SPECIFICATIONS

HOUSING - Precision die-cast flanged ceiling collar.

SOCKET - Die-formed aluminum yoke. Ulsocket™ allows easy field replacement of light engine.

MOUNTING - Install from below in architectural ceiling.

ELECTRICAL - Complete with driver compatible with 0-10v or phase control dimming. Available in High Output or High Efficiency configurations.

OPTICS - Multiple beamspreads. Optional borosilicate lenses available for aperture.

TRIM - Flanged die-cast aluminum pyramidal shield with 50mm aperture.

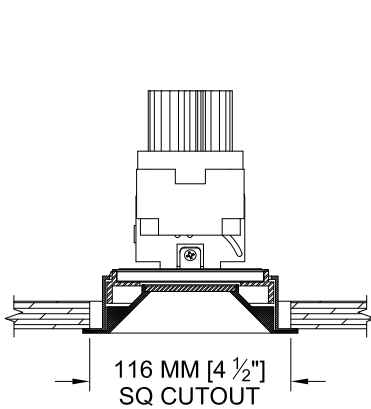
LAMP - Xicato LED supplied with fixture. Other engines available consult factory.

FINISH - Aperture trim available in black and white.

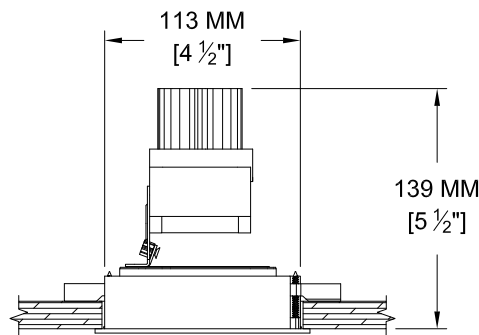
LABELS - CE IP20, IP54 with Shower Trim.

APPLICATIONS

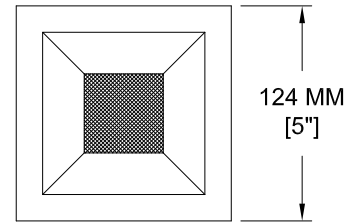
Down lighting in low to medium ceiling heights typically found in residential, commercial and retail applications. Suitable for new or existing construction.



SECTION



SECTION



REFLECTED PLAN VIEW

ORDERING INFORMATION

HOUSING	TRIM	BEAM SPREAD	DRIVER	TRIM FINISH	APERTURE LENS
4009-LEDX__-OFH					
Flanged Ceiling Collar 827 = 2700K 80CRI 927 = 2700K 95CRI 830 = 3000K 80CRI 930 = 3000K 95CRI	FT = Flanged Trim ST = Shower Trim	10 = 10 Degrees 20 = 20 Degrees 30 = 30 Degrees 40 = 40 Degrees	HE = 720lm HO = 1000lm 220-240v, 0-10v control add DM for phase control dimming	WHT = White BLK = Black	Blank = None 91A = Solite 92A = Supertex 93A = Sandblasted 95A = Full Prismatic



SPECIALTY LIGHTING INDUSTRIES, INC.

NOTE: These specifications subject to change without notice.

www.specialtylightingindustries.com

1306 DORIS AVENUE, OCEAN, NJ 07712 USA 800.462.7812 732.517.0800 FAX 732.517.0971 © 12/12



Multi-lamp, low-voltage halogen, surface mounted linear wall grazer with nominal 2" wide aperture and borosilicate supertex spread lens.

TYPE: _____

JOB: _____

SPECIFIER: _____

SPECIFICATIONS

HOUSING - Extruded aluminum with seamless welded and ground end plates.

MOUNTING - Surface mounted

ELECTRICAL - Fixture comes with 10' whip of 10 Ga. wire for connection to remote transformer. Transformer should be sized for the run length and ordered separately.

LAMP - ALR-12 (GBD), MR-11 (FSS) narrow spot 20w max. supplied by others.

LABELS - UL, C-UL, Damp location

SOCKET - Precision die-formed aluminum socket plate. G4/G6 ceramic socket or nickel plated steel double contact bayonet base with stainless steel spring for optimum contact. High temperature lead wires.

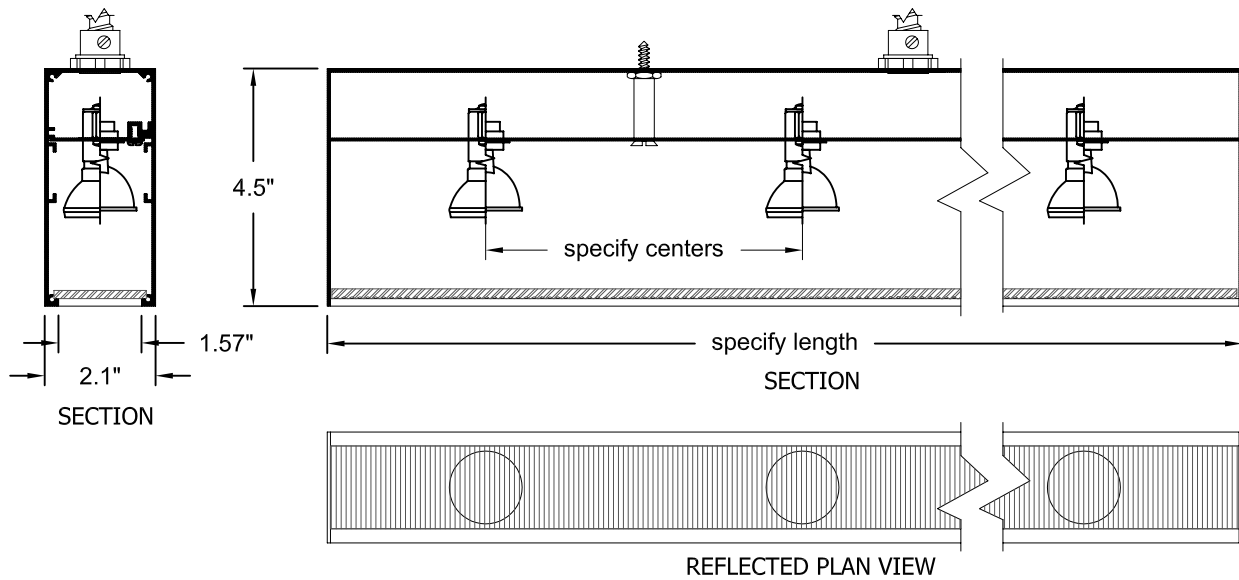
LENS - Supertex borosilicate glass. Others available consult factory.

TRIM - Lens frame integral to housing.

FINISH - Powder paint on all surfaces in black and white as standard. Additional colors and RAL palette available. Consult factory for custom finishes.

APPLICATIONS

Narrow profile wall grazer used in low to medium ceiling heights to highlight the texture in surfaces such as stucco or brick, illuminate flat surfaces such as venetian plaster, fabric or wood, or specular surfaces such as polished stone or stainless steel.



ORDERING INFORMATION

HOUSING	LAMP SPACING	LENGTH	FINISH	APERTURE LENS
800-__-SH-RX				
Surface Mounted Housing ALR = ALR12 lamp MR = MR11 lamp	4 = 4" 6 = 6" or custom spacing	Specify exact length	WHT = White BLK = Black PXX = SLI Color XXXX = RAL # CST = Custom	91A = Solite 92A = Supertex 93A = Sandblasted 95A = Full Prismatic

This information is provided as a specification aid. A submittal will be prepared by the manufacturer for approval prior to fabricating this product.



SPECIALTY LIGHTING INDUSTRIES, INC.

NOTE: These specifications subject to change without notice.

www.specialtylightingindustries.com

1306 DORIS AVENUE, OCEAN, NJ 07712 USA 800.462.7812 732.517.0800 FAX 732.517.0971 © 2/09

Multi-lamp, low-voltage halogen, recessed linear light slot with flanged housing, nominal 1.5" (35mm) wide aperture and borosilicate aperture lens. May be used as a wall grazer or a general down light.

TYPE: _____

JOB: _____

SPECIFIER: _____

SPECIFICATIONS

HOUSING - Extruded aluminum housing with integral flange.

MOUNTING - Recessed in architectural ceiling.

ELECTRICAL - Fixture comes with terminal block for connection to power supply. Remote transformer should be sized for the run length and ordered separately.

LAMP - ALR-12 (GBD), MR-11 (FSS) narrow spot 20w max. supplied by others. Maximum 74w/linear foot.

LABELS - UL, C-UL, Wet location with ST Trim

SOCKET - Precision die-formed aluminum socket plate. G4/G6 ceramic socket or nickel plated steel double contact bayonet base with stainless steel spring for optimum contact. High temperature lead wires.

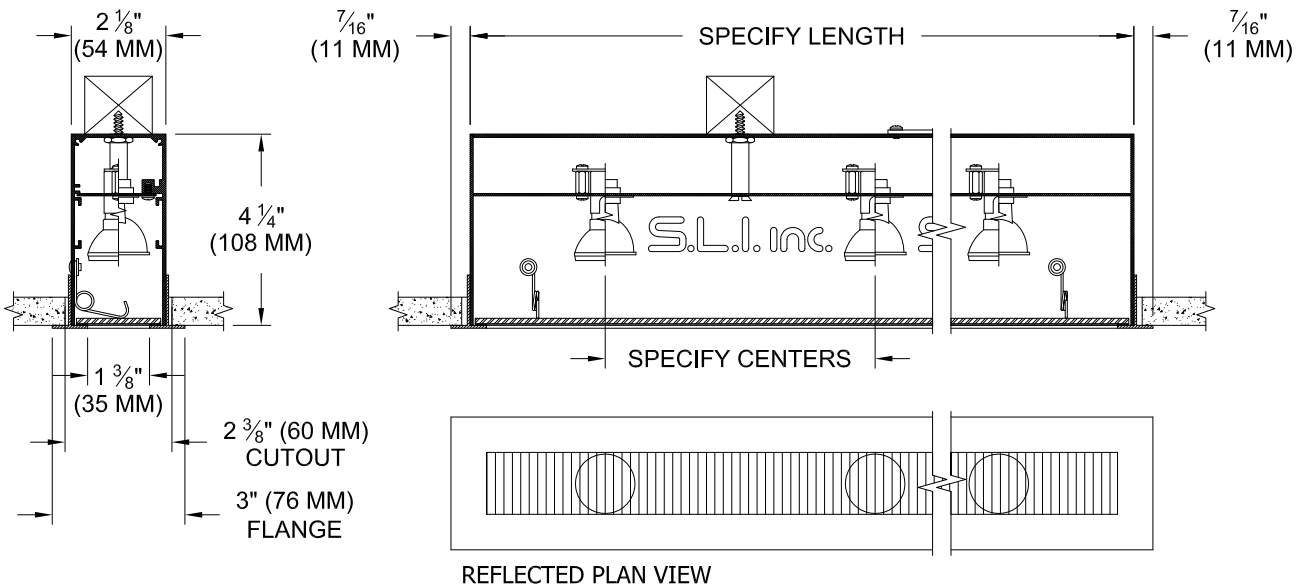
LENS - Supertex borosilicate glass for wall grazing, other lenses for down lighting.

TRIM - Integral flange.

FINISH - Black anodized housing. Paint on all surfaces available in white. Additional standard colors and RAL colors available. Consult factory for custom finishes.

APPLICATIONS

Narrow profile down light or wall grazer to highlight textured surfaces such as stucco or brick or illuminate flat surfaces such as stone or metal. ST trim used in showers or other wet locations. LC used in high vibration applications such as elevator cabs.



ORDERING INFORMATION

HOUSING	LENGTH	LAMP SPACING	TRANSFORMER	FINISH	APERTURE LENS	ACCESSORIES
801-___-FH			RX			
Flanged housing ALR = ALR 12 lamp MR = MR 11 lamp	Specify exact length	4 = 4" (100mm) 6 = 6" (150mm) or custom spacing	RX = Remote	WHT = White BLK = Black PXX = SLI Color XXXX = RAL # CST = Custom	82 = Frosted Supertex 91 = Solite 92 = Supertex 93 = Frosted 95 = Full Prismatic	LC = Lens Clip ST = Shower Trim

This information is provided as a specification aid. A submittal will be prepared by the manufacturer for approval prior to fabricating this product.



SPECIALTY LIGHTING INDUSTRIES, INC.

NOTE: These specifications subject to change without notice.

www.specialtylightingindustries.com

1306 DORIS AVENUE, OCEAN, NJ 07712 USA 800.462.7812 732.517.0800 FAX 732.517.0971 ©03/12

Multi-lamp, low-voltage halogen, recessed linear wall grazer with flangeless housing, nominal 1.5" wide aperture and borosilicate supertex spread lens.

TYPE: _____
 JOB: _____

SPECIFICATIONS

HOUSING - Extruded aluminum with seamless welded and ground flange.

MOUNTING - Recessed in sheetrock ceiling.

ELECTRICAL - Fixture comes with 10' whip of 10 Ga. wire for connection to remote transformer. Transformer should be sized for the run length and ordered separately.

LAMP - ALR-12 (GBD), MR-11 (FSS) narrow spot 20w max. supplied by others.

LABELS - UL, C-UL

SOCKET - Precision die formed aluminum socket plate. G4/G6 ceramic socket or nickel plated steel double contact bayonet base with stainless steel spring for optimum contact. High temperature lead wires.

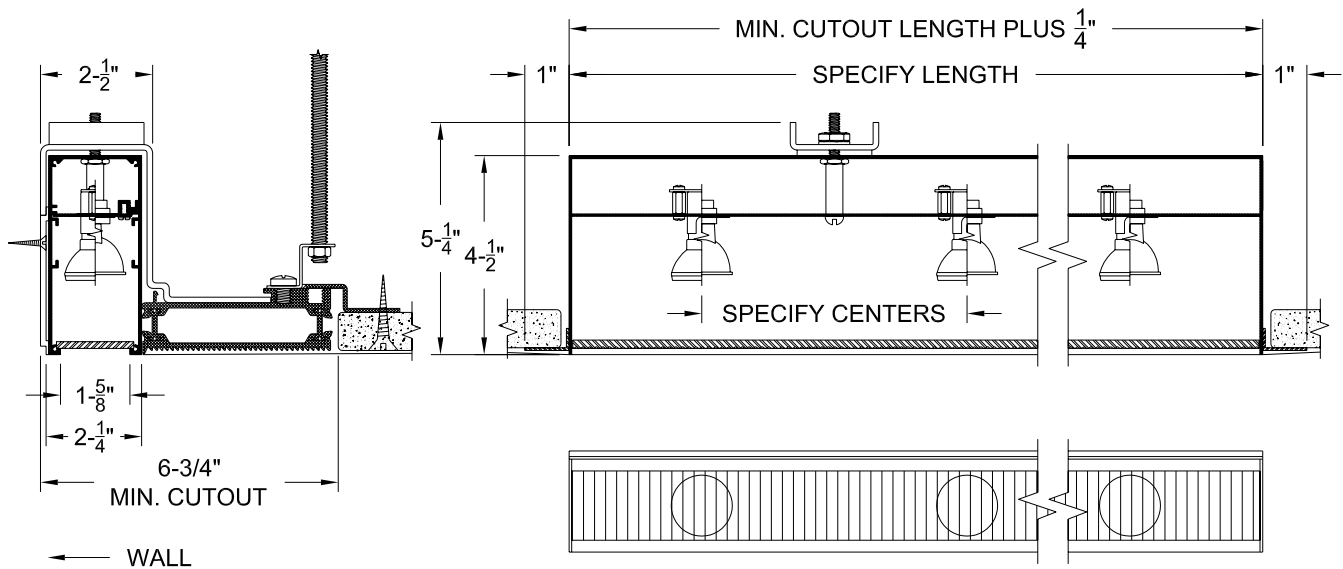
LENS - Supertex borosilicate glass. Others available consult factory.

TRIM - Ultrim plaster frame.

FINISH - Powder paint on all surfaces available in black white or RAL colors as standard. Consult factory for custom finishes.

APPLICATIONS

Narrow profile wall grazer used in low to medium ceiling heights to highlight the texture in surfaces such as stucco or brick, illuminate flat surfaces such as venetian plaster, fabric or wood, or specular surfaces such as polished stone or stainless steel.



ORDERING INFORMATION

HOUSING	LAMP SPACING	LENGTH	FINISH	APERTURE LENS
801-__-PH-RX				
Flangeless housing MR = MR 11 lamp ALR = ALR 12 lamp	4 = 4" 6 = 6" or custom spacing	Specify exact length	WHT = White BLK = Black XXXX = RAL # CST = Custom (supply chip)	91A = Solite 92A = Supertex 93A = Sandblasted 95A = Full Prismatic

This information is provided as a specification aid. A submittal will be prepared by the manufacturer for approval prior to fabricating this product.



SPECIALTY LIGHTING INDUSTRIES, INC.

NOTE: These specifications subject to change without notice.

www.specialtylightingindustries.com

1306 DORIS AVENUE, OCEAN, NJ 07712 USA 800.462.7812 732.517.0800 FAX 732.517.0971 © 2006

Multilamp halogen low voltage surface mounted linear wall grazer with nominal 2" wide aperture and regressed borosilicate supertex spread lens.

TYPE: _____

JOB: _____

SPECIFIER: _____

SPECIFICATIONS

HOUSING - Extruded aluminum with seamless welded and ground end plates.

MOUNTING - Surface mounted.

ELECTRICAL - Fixture comes with 10' whip of 10 Ga. wire for connection to remote transformer. Transformer should be sized for the run length and ordered separately.

LAMP - ALR-12 (GBD), MR-11 (FSS) narrow spot 20w max. supplied by others.

LABELS - UL, C-UL, Damp location

SOCKET - Precision die formed aluminum socket plate. G4/G6 ceramic socket or nickel plated steel double contact bayonet base with stainless steel spring for optimum contact. High temperature lead wires.

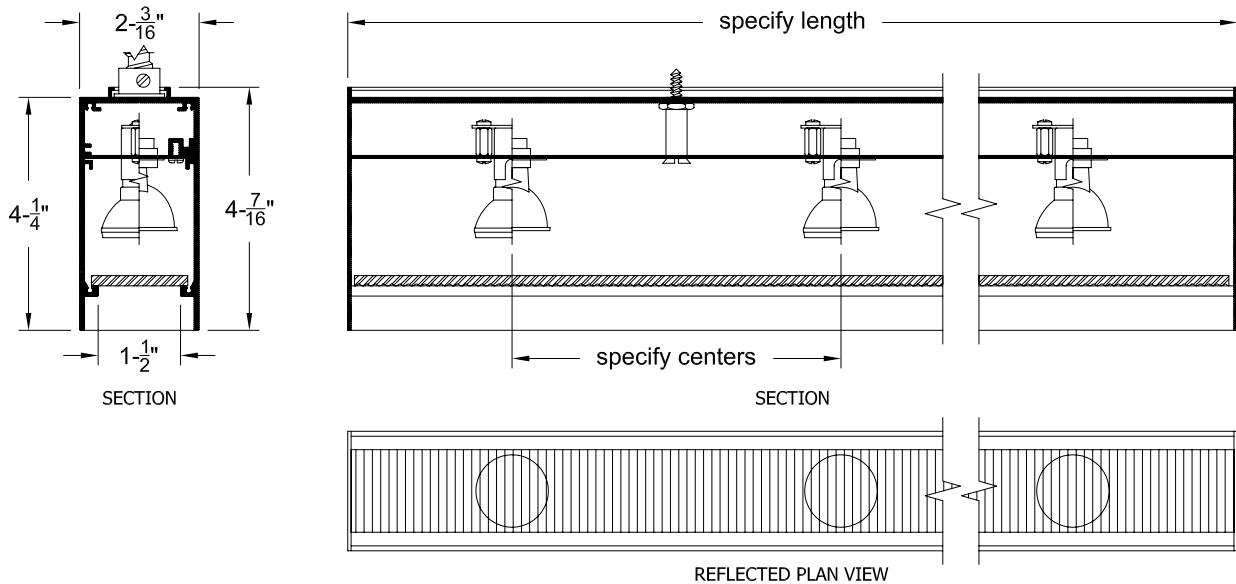
LENS - Supertex borosilicate glass. Others available consult factory

TRIM - Lens frame integral to housing.

FINISH - Powder paint on all surfaces in black and white as standard. Additional colors and RAL palette available. Consult factory for custom finishes.

APPLICATIONS

Narrow profile wall grazer used in low to medium ceiling heights to highlight the texture in surfaces such as stucco or brick, illuminate flat surfaces such as venetian plaster, or wood, or light specular surfaces such as polished stone or stainless steel.



ORDERING INFORMATION

HOUSING	LAMP SPACING	LENGTH	FINISH	APERTURE LENS
804-__-SH-RX				
Surface housing MR = MR 11 lamp ALR = ALR 12 lamp	4 = 4" 6 = 6" or custom spacing	Specify exact length	WHT = White BLK = Black PXX = SLI Color XXXX = RAL # CST = Custom	91A = Solite 92A = Supertex 93A = Sandblasted 95A = Full Prismatic

This information is provided as a specification aid. A submittal will be prepared by the manufacturer for approval prior to fabricating this product.



SPECIALTY LIGHTING INDUSTRIES, INC.

NOTE: These specifications subject to change without notice.

www.specialtylightingindustries.com

1306 DORIS AVENUE, OCEAN, NJ 07712 USA 800.462.7812 732.517.0800 FAX 732.517.0971 © 06/10

Multilamp halogen low voltage recessed linear wall grazer with nominal 2" (50mm) wide aperture, flangeless housing and recessed borosilicate supertex spread lens.

TYPE: _____

JOB: _____

SPECIFIER: _____

SPECIFICATIONS

HOUSING - Extruded aluminum with seamless welded and ground end plates and perforated metal plaster flange.

MOUNTING - Recessed in sheetrock ceiling.

ELECTRICAL - Fixture comes with 10' (3M) whip of 10 Ga. wire for connection to remote transformer. Transformer should be sized for the run length and ordered separately.

LAMP - ALR-12 (GBD), MR-11 (FSS) narrow spot 20w max. supplied by others.

LABELS - UL, C-UL

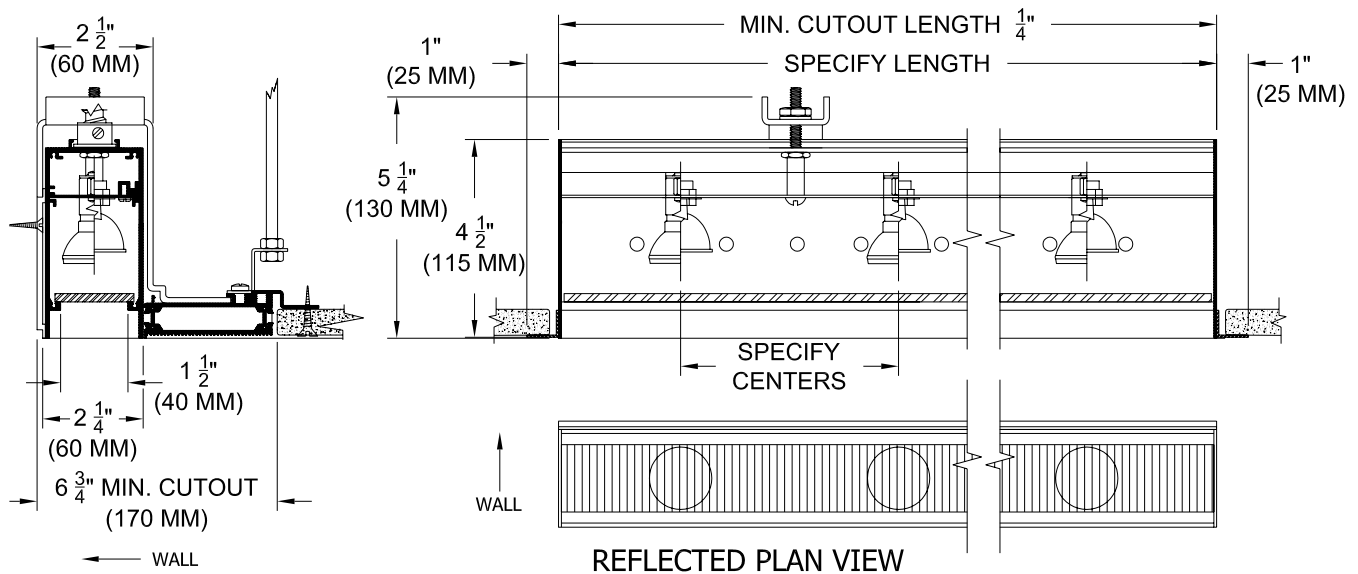
SOCKET - Precision die formed aluminum socket plate. G4/G6 ceramic socket or nickel plated steel double contact bayonet base with stainless steel spring for optimum contact. High temperature lead wires.

LENS - Supertex borosilicate glass. Others available consult factory

FINISH - Powder paint on all surfaces available in black white or RAL colors as standard. Consult factory for custom finishes.

APPLICATIONS

Narrow profile wall grazer used in low to medium ceiling heights to highlight the texture in surfaces such as stucco or brick, illuminate flat surfaces such as venetian plaster, fabric or wood, or light specular surfaces such as polished stone or stainless



ORDERING INFORMATION

HOUSING	LAMP SPACING	LENGTH	FINISH	APERTURE LENS
805-__-PH-RX				
Flangeless housing ALR = ALR 12 lamp MR = MR 11 lamp	4 = 4" 100 = 100mm 6 = 6" 150 = 150mm or custom spacing	Specify exact length	WHT = White BLK = Black PXX = SLI Color XXXX = RAL # CST = Custom	91A = Solite 92A = Supertex 93A = Sandblasted 95A = Full Prismatic

This information is provided as a specification aid. A submittal will be prepared by the manufacturer for approval prior to fabricating this product.

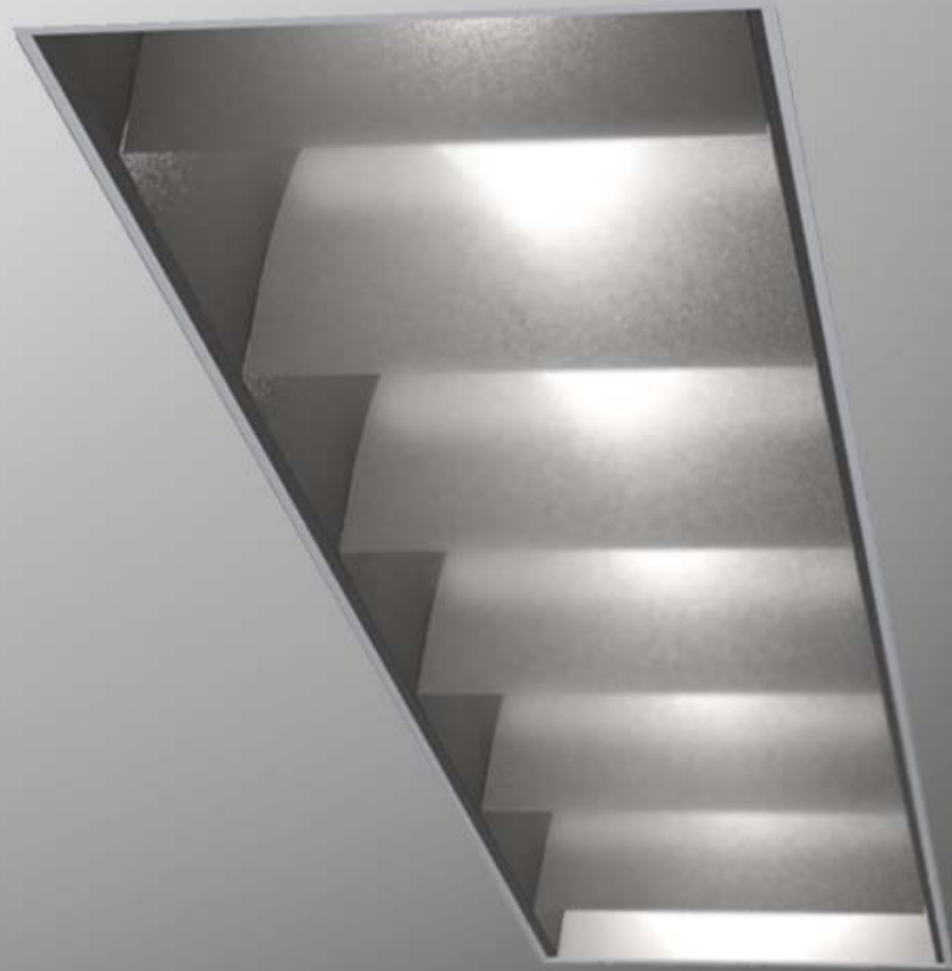


SPECIALTY LIGHTING INDUSTRIES, INC.

NOTE: These specifications subject to change without notice.

www.specialtylightingindustries.com

1306 DORIS AVENUE, OCEAN, NJ 07712 USA 800.462.7812 732.517.0800 FAX 732.517.0971 © 02/10



Multi-lamp, low-voltage halogen, recessed linear wall grazer with nominal 4" (100mm) wide aperture, parabolic baffle, flangeless trim and borosilicate supertex spread lens.

TYPE: _____

JOB: _____

SPECIFIER: _____

SPECIFICATIONS

HOUSING - Precision die-formed heavy gauge aluminum with welded end plates and ultrim plaster frame.

MOUNTING - Recessed in sheetrock or plaster ceiling.

ELECTRICAL - Fixture comes with terminal block for connection to remote transformer. Transformer should be sized for the run length and ordered separately.

LAMP - ALR-12 (GBD) 20w, MR-16 spot, 50w max. supplied by others.

LABELS - CE IP20

SOCKET - Precision die-formed aluminum socket plate.

G4/G6 ceramic socket or nickel plated steel double contact bayonet base with stainless steel spring for optimum contact. High temperature lead wires.

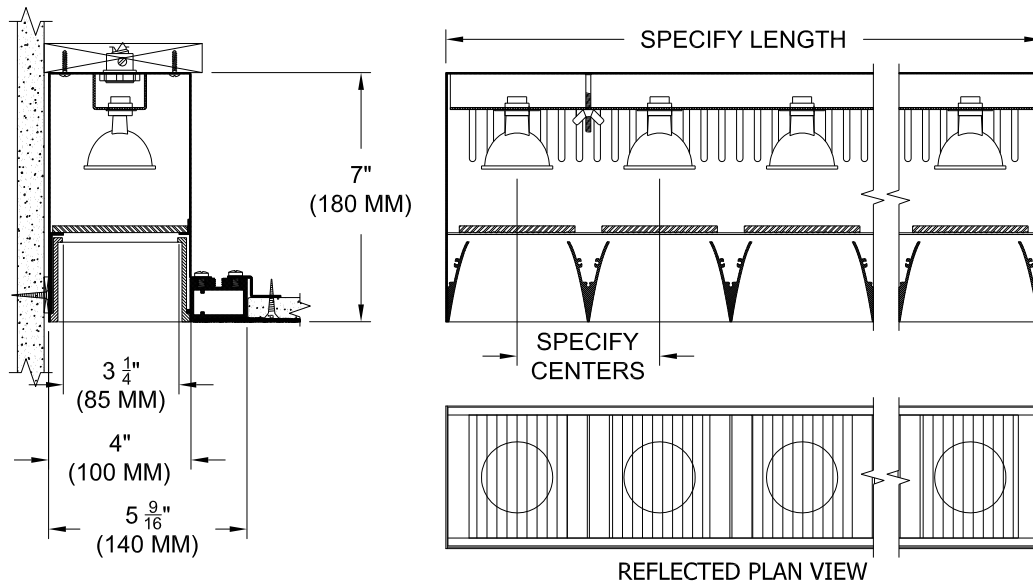
LENS - Supertex borosilicate glass.

TRIM - Extruded aluminum side rails with extruded aluminum parabolic baffles.

FINISH - Black powder paint housing. Aperture trim available in black and white as standard. Additional colors and RAL palette available. Consult factory for custom finishes.

APPLICATIONS

Medium aperture wall grazer used in ceiling heights up to 20' (4M) to highlight the texture in surfaces such as stucco or brick, illuminate flat surfaces such as venetian plaster, fabric or wood, or specular surfaces such as polished stone or stainless steel.



ORDERING INFORMATION

HOUSING	TRANSFORMER	LAMP SPACING	LENGTH	FINISH	APERTURE LENS
811__-PH	RX				
Plaster Housing ALR = ALR Lamp MR16 = MR16 Lamp	RX = Remote	4 = 4" 6 = 6" or custom spacing	Specify exact length	WHT = White BLK = Black PXX = SLI Color XXXX = RAL # CST = Custom	91A = Solite 92A = Supertex 93A = Sandblasted 95A = Full Prismatic

This information is provided as a specification aid. A submittal will be prepared by the manufacturer for approval prior to fabricating this product.



SPECIALTY LIGHTING INDUSTRIES, INC.

NOTE: These specifications subject to change without notice.

www.specialtylightingindustries.com

1306 DORIS AVENUE, OCEAN, NJ 07712 USA 800.462.7812 732.517.0800 FAX 732.517.0971 © 01/11

Multi-lamp, low-voltage halogen, recessed linear wall grazer with nominal 4" (100mm) wide aperture, parabolic baffle, flangeless trim, borosilicate supertex spread lens and pyrex walk over lens.

TYPE: _____

JOB: _____

SPECIFIER: _____

SPECIFICATIONS

HOUSING - Precision die-formed heavy gauge aluminum with welded end plates and flangeless lens frame.

MOUNTING - Recessed in architectural floor.

ELECTRICAL - Terminal block for connection of up to 10 Ga. wire. Transformer should be sized for the run length and ordered separately.

LAMP - ALR-12 (GBD) 20w, MR-16, 37w max. supplied by others.

LABELS - CE IP40

SOCKET - Precision die-formed aluminum socket plate. G4/G6 ceramic socket or nickel plated steel double contact bayonet base with stainless steel spring for optimum contact. High temperature lead wires.

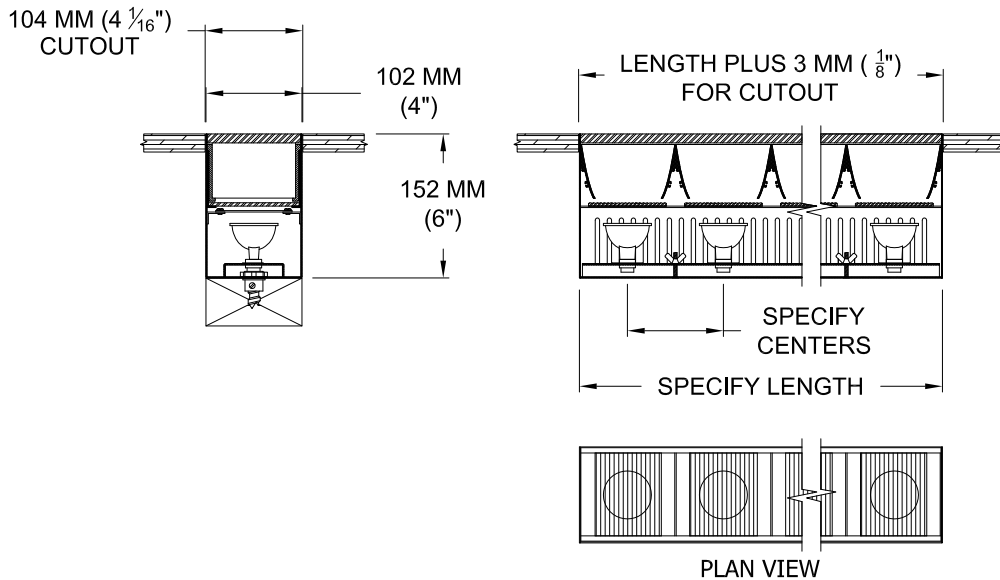
LENS - 9mm clear pyrex walkover lens and Supertex borosilicate glass spreadlens. Others available consult factory.

TRIM - Extruded aluminum side rails with extruded aluminum parabolic baffles.

FINISH - Black powder paint housing. Aperture trim available in black and white as standard. Additional colors and RAL palette available. Consult factory for custom finishes.

APPLICATIONS

Medium aperture wall grazer used in ceiling heights up to 20' (4M) to highlight the texture in surfaces such as stucco or brick, illuminate flat surfaces such as venetian plaster, fabric or wood, or specular surfaces such as polished stone or stainless steel.=



ORDERING INFORMATION

HOUSING	LENGTH	LAMP SPACING	TRANSFORMER	FINISH	APERTURE LENS	TOP LENS
811-____-IH			RX		92A	
Inverted Housing ALR = ALR Lamp MR = MR16 Lamp	Specify exact length	100 = 100mm 150 = 150mm or custom spacing	RX = Remote	WHT = White BLK = Black PXX = SLI Color XXXX = RAL # CST = Custom	92A = Supertex	CP = Clear Pyrex FP = Frosted Pyrex

This information is provided as a specification aid. A submittal will be prepared by the manufacturer for approval prior to fabricating this product.



SPECIALTY LIGHTING INDUSTRIES, INC.

NOTE: These specifications subject to change without notice.

www.specialtylightingindustries.com

1306 DORIS AVENUE, OCEAN, NJ 07712 USA 800.462.7812 732.517.0800 FAX 732.517.0971 © 06/11

Multi-lamp, low voltage halogen, recessed linear wall washer with nominal 5" (125mm) wide aperture, adjustable socket plate, flangeless trim and borosilicate supertex spread lens.

TYPE: _____

JOB: _____

SPECIFIER: _____

SPECIFICATIONS

HOUSING - Extruded aluminum with end plates

MOUNTING - Recessed in millwork ceiling

ELECTRICAL - Fixture comes with terminal block for connection to remote transformer. Transformer should be sized for the run length and ordered separately

LAMP - ALR-12 (GBD) 20w, MR-16 spot, 37w max. supplied by others. Maximum 74w/linear foot

LABELS - UL, C-UL, Damp location

SOCKET - Precision die-formed aluminum socket plate. G4/G6 ceramic socket or nickel plated steel double contact bayonet base with stainless steel spring for optimum contact. High temperature lead wires

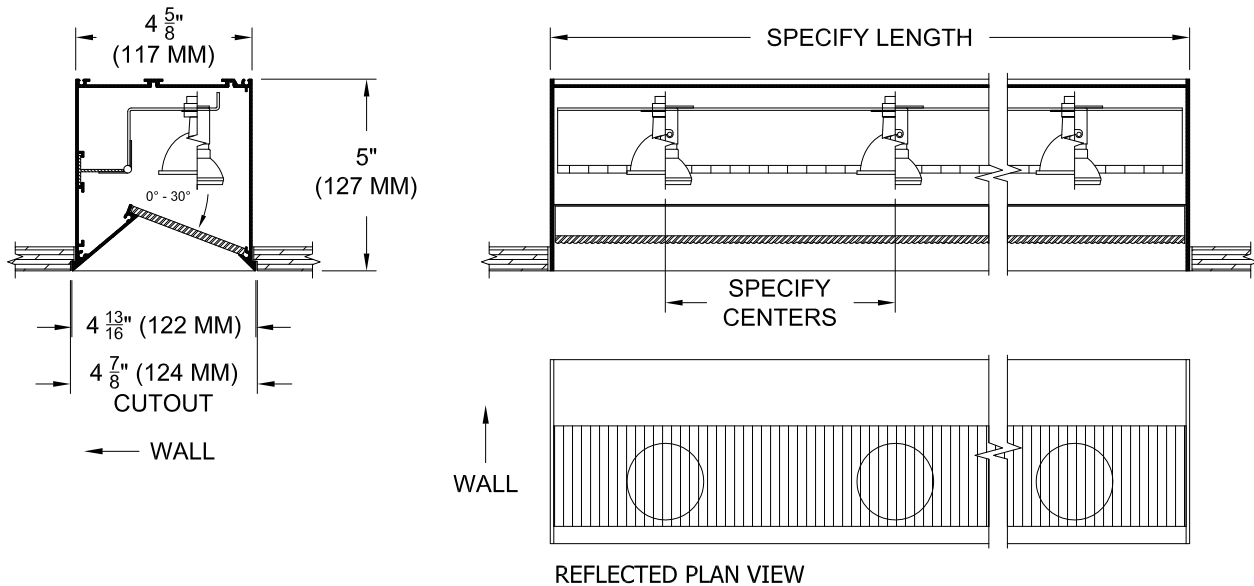
LENS - Supertex borosilicate glass. Others available consult factory

TRIM - Regress trim integral to housing

FINISH - Powder paint on all surfaces in black and white as standard. Additional colors and RAL palette available. Consult factory for custom finishes

APPLICATIONS

Small profile wall washer used in ceiling heights up to 16 feet (5m) to smoothly wash vertical surfaces and minimize surface texture



ORDERING INFORMATION

HOUSING	LENGTH	LAMP SPACING	TRANSFORMER	TRIM FINISH	APERTURE LENS
815-__-WH					
Wood Housing ALR = ALR12 Lamp MR = MR16 Lamp	Specify exact length	4 = 4" (100mm) 6 = 6" (150mm) 8 = 8" (200mm) or custom spacing	RX = Remote	WHT = White BLK = Black PXX = SLI Color XXXX = RAL # CST = Custom	82A = Frosted Supertex 92A = Supertex

This information is provided as a specification aid. A submittal will be prepared by the manufacturer for approval prior to fabricating this product.



SPECIALTY LIGHTING INDUSTRIES, INC.

NOTE: These specifications subject to change without notice.

www.specialtylightingindustries.com

1306 DORIS AVENUE, OCEAN, NJ 07712 USA 800.462.7812 732.517.0800 FAX 732.517.0971 © 07/11

Multi-lamp, low voltage halogen, recessed linear wall washer with nominal 5" (125mm) wide aperture, adjustable socket plate, flangeless trim and borosilicate supertex spread lens.

TYPE: _____

JOB: _____

SPECIFIER: _____

SPECIFICATIONS

HOUSING - Extruded aluminum housing with utrim plaster frame

MOUNTING - Recessed in sheetrock ceiling

ELECTRICAL - Fixture comes with terminal block for connection to remote transformer. Transformer should be sized for the run length and ordered separately

LAMP - ALR-12 (GBD) 20w, MR-16 spot, 37w max. supplied by others. Maximum 74w/linear foot

LABELS - UL, C-UL, Damp location

SOCKET - Precision die-formed aluminum socket plate. G4/G6 ceramic socket or nickel plated steel double contact bayonet base with stainless steel spring for optimum contact. High temperature lead wires

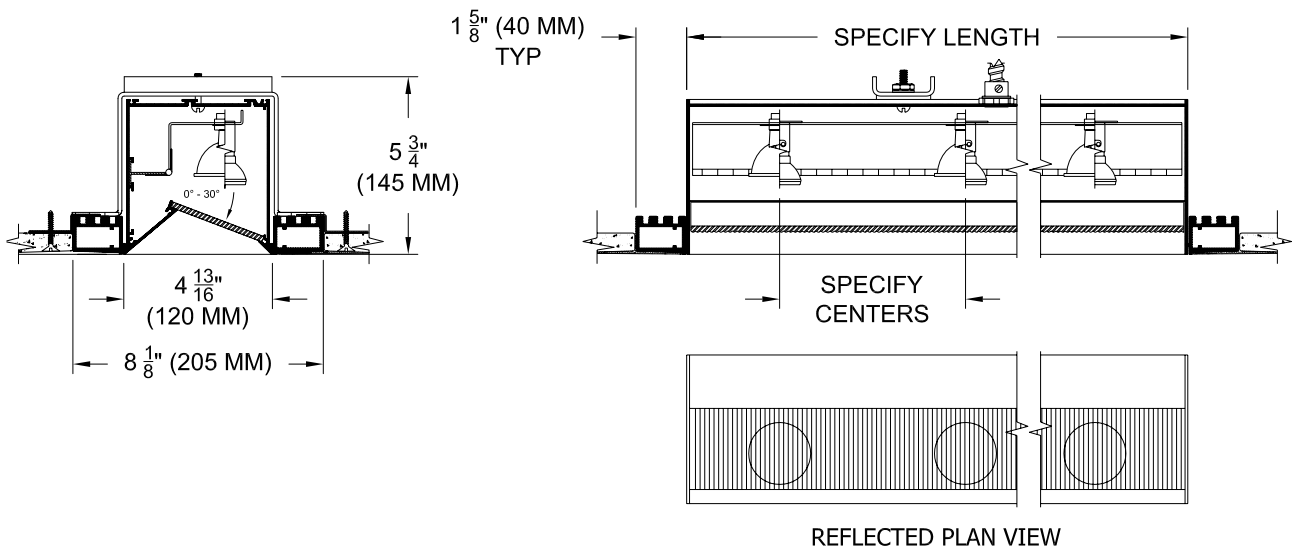
LENS - Supertex borosilicate glass. Others available consult factory

TRIM - Regress trim integral to housing

FINISH - Powder paint on all surfaces in black and white as standard. Additional colors and RAL palette available. Consult factory for custom finishes

APPLICATIONS

Small profile wall washer used in ceiling heights up to 16 feet (5m) to smoothly wash vertical surfaces and minimize surface texture



ORDERING INFORMATION

HOUSING	LENGTH	LAMP SPACING	TRANSFORMER	TRIM FINISH	APERTURE LENS
815-__-PH					
Plaster Flange Housing ALR = ALR12 Lamp MR = MR16 Lamp	Specify exact length	4 = 4" (100mm) 6 = 6" (150mm) 8 = 8" (200mm) or custom spacing	RX = Remote	WHT = White BLK = Black PXX = SLI Color XXXX = RAL # CST = Custom	82A = Frosted Supertex 92A = Supertex

This information is provided as a specification aid. A submittal will be prepared by the manufacturer for approval prior to fabricating this product.



SPECIALTY LIGHTING INDUSTRIES, INC.

NOTE: These specifications subject to change without notice.

www.specialtylightingindustries.com

1306 DORIS AVENUE, OCEAN, NJ 07712 USA 800.462.7812 732.517.0800 FAX 732.517.0971 © 07/11

Multi-lamp, low voltage halogen, recessed linear wall washer with nominal 5" (125mm) wide aperture, adjustable socket plate, flanged trim and borosilicate supertex spread lens.

TYPE: _____

JOB: _____

SPECIFIER: _____

SPECIFICATIONS

HOUSING - Extruded aluminum housing with integral flange

MOUNTING - Recessed in architectural ceiling

ELECTRICAL - Fixture comes with terminal block for connection to remote transformer. Transformer should be sized for the run length and ordered separately

LAMP - ALR-12 (GBD) 20w, MR-16 spot, 37w max. supplied by others. Maximum 74w/linear foot

LABELS - UL, C-UL, Damp location

SOCKET - Precision die-formed aluminum socket plate.

G4/G6 ceramic socket or nickel plated steel double contact bayonet base with stainless steel spring for optimum contact. High temperature lead wires

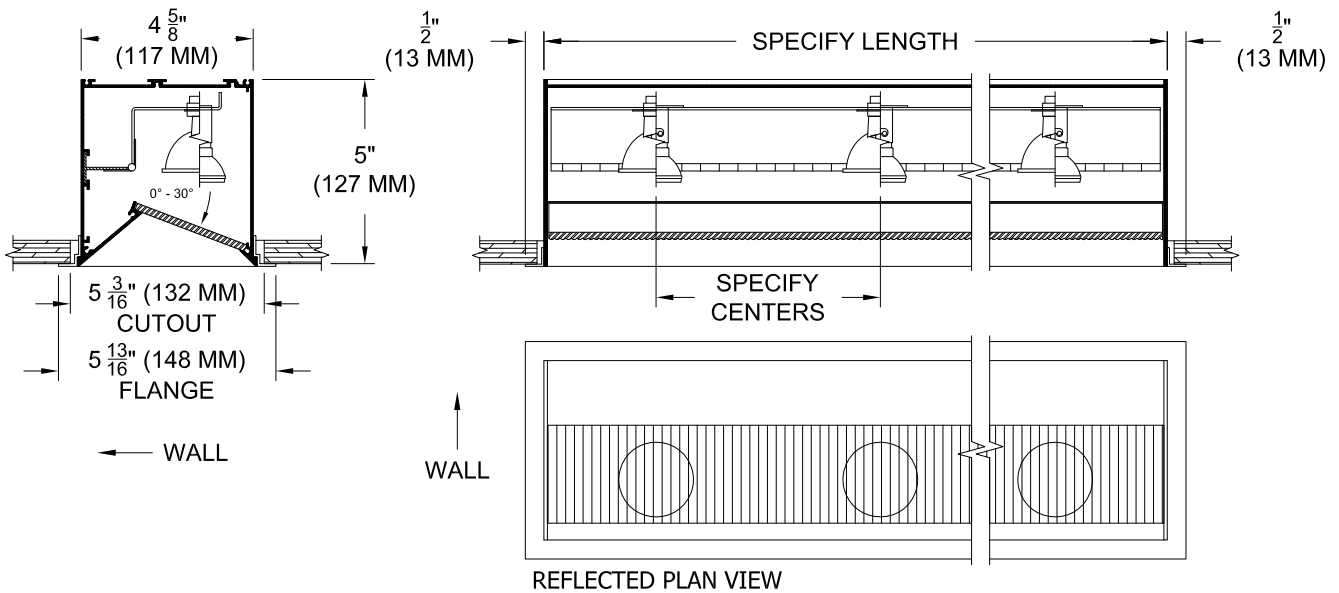
LENS - Supertex borosilicate glass. Others available consult factory

TRIM - Regress trim integral to housing

FINISH - Powder paint on all surfaces in black and white as standard. Additional colors and RAL palette available. Consult factory for custom finishes

APPLICATIONS

Small profile wall washer used in ceiling heights up to 16 feet (5m) to smoothly wash vertical surfaces and minimize surface texture



ORDERING INFORMATION

HOUSING	LENGTH	LAMP SPACING	TRANSFORMER	TRIM FINISH	APERTURE LENS
815-__-FH					
Flange Housing ALR = ALR12 Lamp MR = MR16 Lamp	Specify exact length	4 = 4" (100mm) 6 = 6" (150mm) 8 = 8" (200mm) or custom spacing	RX = Remote	WHT= White BLK = Black PXX = SLI Color XXXX = RAL # CST = Custom	82A = Frosted Supertex 92A = Supertex

This information is provided as a specification aid. A submittal will be prepared by the manufacturer for approval prior to fabricating this product.



SPECIALTY LIGHTING INDUSTRIES, INC.

NOTE: These specifications subject to change without notice.

www.specialtylightingindustries.com

1306 DORIS AVENUE, OCEAN, NJ 07712 USA 800.462.7812 732.517.0800 FAX 732.517.0971 © 07/11

Multi-lamp, solid state light engine, surface mounted linear wall grazer. Nominal 2" wide (55mm) aperture and acrylic lens.

TYPE: _____

JOB: _____

SPECIFIER: _____

SPECIFICATIONS

HOUSING - Extruded aluminum with seamless welded and ground end plates.

SOCKET - Circuit board mounted to extruded aluminum heatsink. Inline connectors allow removal and replacement.

MOUNTING - Surface mounted

LENS - Acrylic diffusing lens Others available consult factory.

ELECTRICAL - Integral dimmable electronic driver with internal short circuit protection. 120v-277v primary, compatible with 0-10v dimmers. Also available for 120v phase control. Consult factory for other drivers.

TRIM - Lens frame integral to housing.

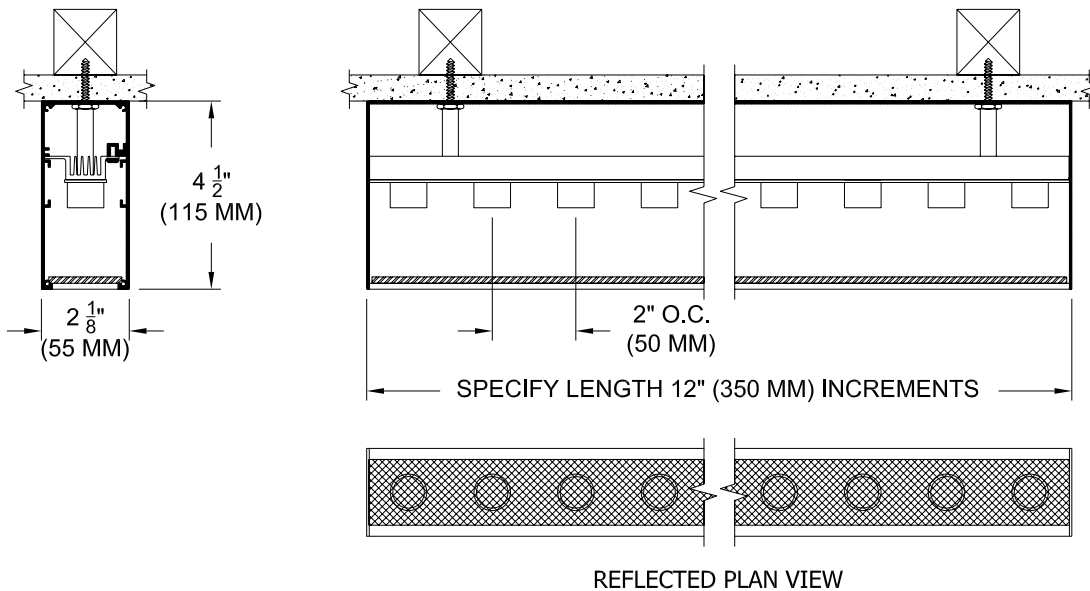
LAMP - 2 watt LED 2" o.c. supplied with fixture.

FINISH - Powder paint on all surfaces in black and white as standard. Additional colors and RAL palette available. Consult factory for custom finishes.

LABELS - CSA-C,US, Damp Location

APPLICATIONS

Narrow profile wall grazer used in low ceiling heights to highlight the texture in surfaces such as stucco or brick, illuminate flat surfaces such as venetian plaster, fabric or wood, or specular surfaces such as polished stone or stainless steel.



ORDERING INFORMATION

HOUSING	LENGTH	DRIVER	FINISH	APERTURE LENS
800-LEDP-SH				
Surface Mounted Housing 827 = 2700K 80CRI 830 = 3000K 80CRI	Specify exact length in increments of 12", (300 mm).	UN3 = 120v-240v HE UN5 = 120v-240v HO above for 0-10v control 1232W = 120v HE 2 wire 1252W = 120v HO 2 wire	WHT = White BLK = Black PXX = SLI Color XXXX = RAL # CST = Custom	79A = Veiling Acrylic 91A = Solite

This information is provided as a specification aid. A submittal will be prepared by the manufacturer for approval prior to fabricating this product. [CLICK HERE for LED and driver performance information including wattage and lumen output or go to www.specialtylightingindustries.com.](http://www.specialtylightingindustries.com)

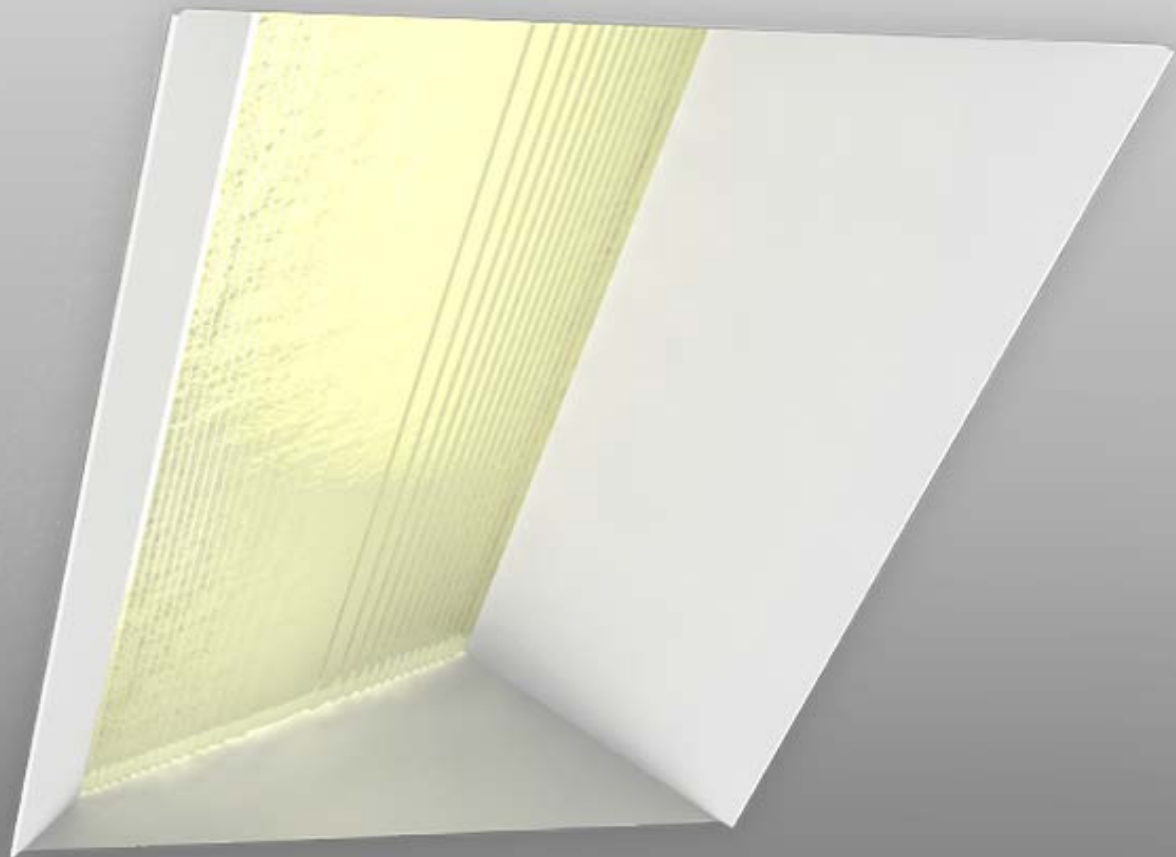


SPECIALTY LIGHTING INDUSTRIES, INC.

NOTE: These specifications subject to change without notice.

www.specialtylightingindustries.com

1306 DORIS AVENUE, OCEAN, NJ 07712 USA 800.462.7812 732.517.0800 FAX 732.517.0971 © 05/13



Multi-lamp, solid state light engine, recessed linear wall washer.
Nominal 5" (125mm) wide aperture, flangeless trim and acrylic lens.

TYPE: _____

JOB: _____

SPECIFIER: _____

SPECIFICATIONS

HOUSING - Extruded aluminum housing with utrim plaster frame.

SOCKET - Semi-specular low iridescence aluminum reflector. Inline connectors allow removal and replacement.

MOUNTING - Recessed in sheetrock ceiling.

LENS - Acrylic diffusing lens Others available consult factory.

ELECTRICAL - Integral electronic 0-10v or phase control dimmable driver. Integral wireway for connection to supply wires.

TRIM - Regress trim integral to housing.

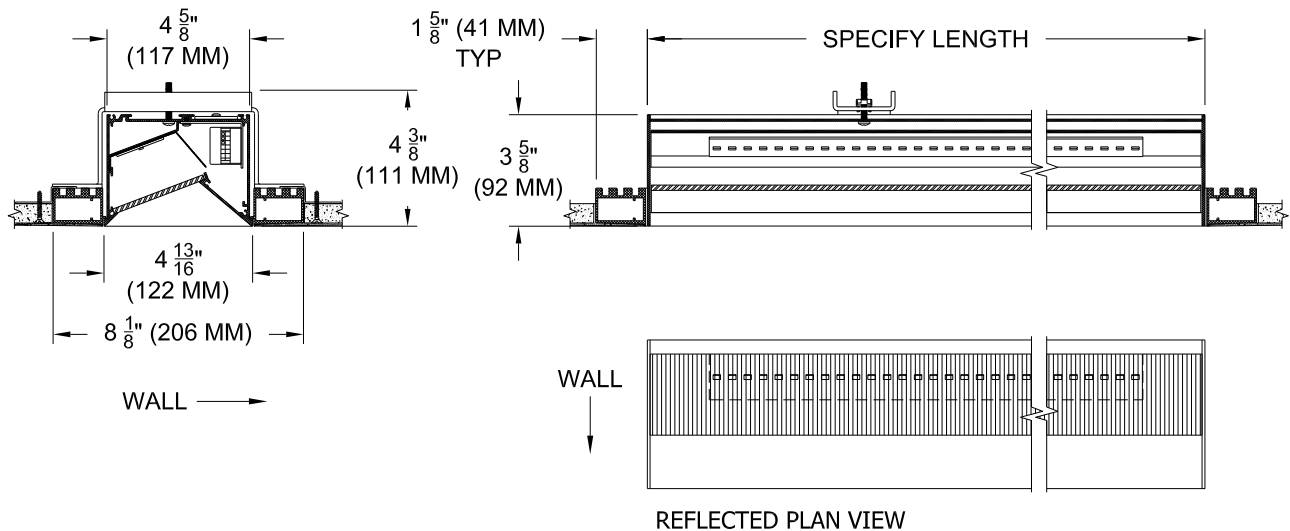
LAMP - 8 watt LED 1100lm/ft supplied with fixture.

FINISH - Powder paint on all surfaces in black and white as standard. Additional colors and RAL palette available. Consult factory for custom finishes.

LABELS - CSA-C,US, Damp Location,

APPLICATIONS

Small aperture slot used in ceiling heights up to 12 feet (4m) to smoothly wash vertical surfaces such as walls, marker boards, information panels, etc. Suitable for new construction.



ORDERING INFORMATION

HOUSING	LENGTH	DRIVER	FINISH	APERTURE LENS
601-LEDP__-PH				
Plaster Flange Housing 827 = 2700K 80CRI 830 = 3000K 80CRI	Specify length in 1' (300mm) increments, 2' (600mm) minimum.	UN2 = 120v-277v HO 0-10v 1222W = 120v HO 2 wire	WHT = White BLK = Black PXX = SLI Color XXXX = RAL # CST = Custom	74A = AVA Optic

This information is provided as a specification aid. A submittal will be prepared by the manufacturer for approval prior to fabricating this product.
[CLICK HERE for LED and driver performance information including wattage and lumen output or go to www.specialtylightingindustries.com.](#)



SPECIALTY LIGHTING INDUSTRIES, INC.

NOTE: These specifications subject to change without notice.
www.specialtylightingindustries.com

1306 DORIS AVENUE, OCEAN, NJ 07712 USA 800.462.7812 732.517.0800 FAX 732.517.0971 © 1/14

Multi-lamp, solid state light engine, surface mounted linear wall washer. Nominal 4" (102mm) wide and 5" (127mm) tall housing with acrylic lens.

TYPE: _____

JOB: _____

SPECIFIER: _____

SPECIFICATIONS

HOUSING - Extruded aluminum with seamless welded and ground end plates.

SOCKET - Semi-specular low iridescence aluminum reflector. Inline connectors allow removal and replacement.

MOUNTING - Surface mounted on architectural ceiling.

LENS - Acrylic diffusing lens Others available consult factory.

ELECTRICAL - Integral electronic 0-10v or phase control dimmable driver. Integral wireway for connection to supply wires.

TRIM - Lens frame integral to housing.

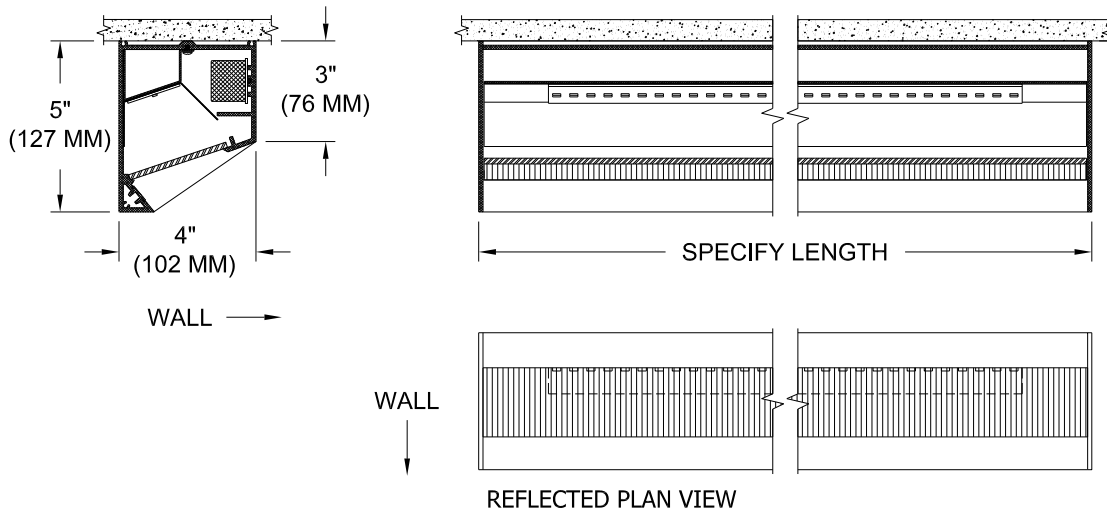
LAMP - 8 watt LED 1100lm/ft supplied with fixture.

FINISH - Powder paint on all surfaces in black and white as standard. Additional colors and RAL palette available. Consult factory for custom finishes.

LABELS - CSA-C,US, Damp Location.

APPLICATIONS

Small rectangular housing used in ceiling heights up to 12 feet (4m) to smoothly wash vertical surfaces such as walls, marker boards, information panels, etc. Suitable for new construction.



ORDERING INFORMATION

HOUSING	LENGTH	DRIVER	FINISH	APERTURE LENS
606-LEDP__-SH				
Surface Mounted Housing 827 = 2700K 80CRI 830 = 3000K 80CRI	Specify exact length in increments of 12", (300 mm).	UN2 = 120v-277v HO 0-10v 1222W = 120v HO 2 wire	P14 = White BLK = Black PXX = SLI Color XXXX = RAL # CST = Custom	74A = AVA Optic

This information is provided as a specification aid. A submittal will be prepared by the manufacturer for approval prior to fabricating this product.

[CLICK HERE for LED and driver performance information including wattage and lumen output or go to www.specialtylightingindustries.com.](#)



SPECIALTY LIGHTING INDUSTRIES, INC.

NOTE: These specifications subject to change without notice.

www.specialtylightingindustries.com

1306 DORIS AVENUE, OCEAN, NJ 07712 USA 800.462.7812 732.517.0800 FAX 732.517.0971 © 1/14

Multi-lamp, solid state light engine, recessed linear wall grazer with flanged housing, nominal 1.5" (38mm) wide aperture and acrylic lens.

TYPE: _____

JOB: _____

SPECIFIER: _____

SPECIFICATIONS

HOUSING - Extruded aluminum bolt on end plates and integral minimal overlap flange.

SOCKET - Circuit board mounted to extruded aluminum heatsink. Inline connectors allow removal and replacement.

MOUNTING - Recessed in architectural ceiling.

LENS - Acrylic diffusing lens Others available consult factory.

ELECTRICAL - Integral dimmable electronic driver with internal short circuit protection. 120v-277v primary, compatible with 0-10v dimmers. Also available for 120v phase control. Consult factory for other drivers.

TRIM - Lens frame integral to housing.

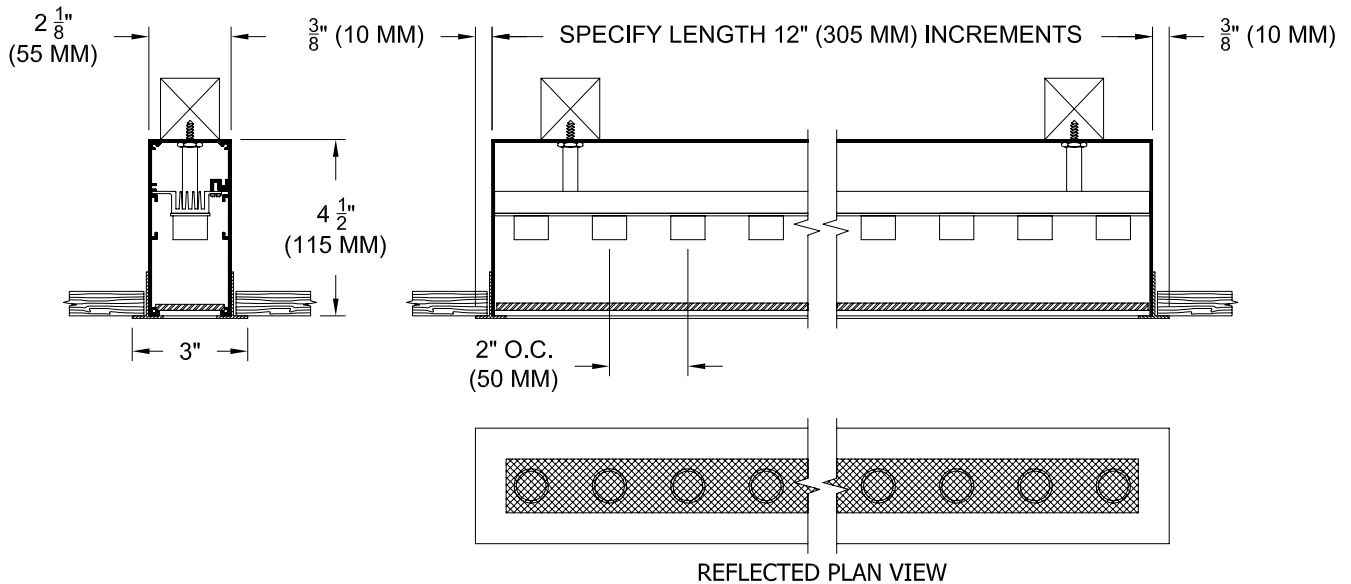
LAMP - 2 watt LED 2" o.c. supplied with fixture.

FINISH - Powder paint on all surfaces in black and white as standard. Additional colors and RAL palette available. Consult factory for custom finishes.

LABELS - CSA-C,US, Damp Location, Wet with ST trim.

APPLICATIONS

Narrow profile wall grazer used in low ceiling heights to highlight the texture in surfaces such as stucco or brick, illuminate flat surfaces such as venetian plaster, fabric or wood, or specular surfaces such as polished stone or stainless steel.



ORDERING INFORMATION

HOUSING	LENGTH	DRIVER	FINISH	APERTURE LENS
801-LEDP-FH				
Flanged Housing 827 = 2700K 80CRI 830 = 3000K 80CRI 835 = 3500K 80CRI	Specify exact length in increments of 12", (300 mm).	UN3 = 120v-240v HE UN5 = 120v-240v HO above for 0-10v control 1232W = 120v HE 2 wire 1252W = 120v HO 2 wire	WHT = White BLK = Black PXX = SLI Color XXXX = RAL # CST = Custom	79A = Veiling Acrylic 91A = Solite

This information is provided as a specification aid. A submittal will be prepared by the manufacturer for approval prior to fabricating this product. [CLICK HERE for LED and driver performance information including wattage and lumen output or go to www.specialtylightingindustries.com.](http://www.specialtylightingindustries.com)



SPECIALTY LIGHTING INDUSTRIES, INC.

NOTE: These specifications subject to change without notice. www.specialtylightingindustries.com

1306 DORIS AVENUE, OCEAN, NJ 07712 USA 800.462.7812 732.517.0800 FAX 732.517.0971 © 02/14

Multi-lamp, solid state light engine, recessed linear wall grazer with flangless housing, nominal 1.5" (38mm) wide aperture and acrylic lens.

TYPE: _____

JOB: _____

SPECIFIER: _____

SPECIFICATIONS

HOUSING - Extruded aluminum with ultrim plaster frame.

SOCKET - Circuit board mounted to extruded aluminum heatsink. Inline connectors allow removal and replacement.

MOUNTING - Recessed in sheetrock ceiling.

LENS - Acrylic diffusing lens Others available consult factory.

ELECTRICAL - Integral dimmable electronic driver with internal short circuit protection. 120v-277v primary, compatible with 0-10v dimmers. Also available for 120v phase control. Consult factory for other drivers.

TRIM - Lens frame integral to housing.

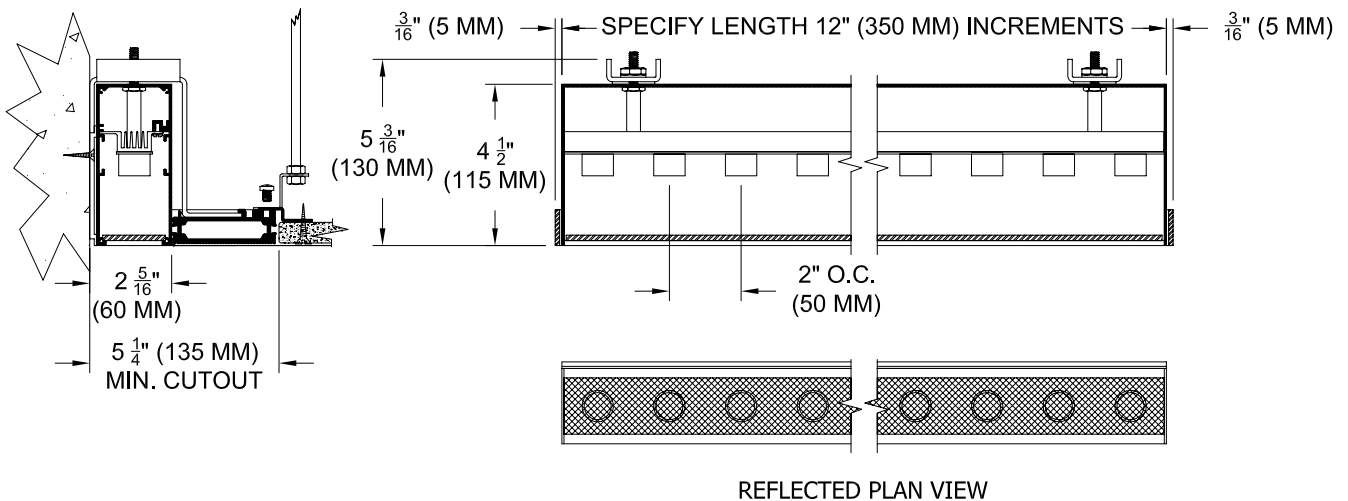
LAMP - 2 watt LED 2" o.c. supplied with fixture.

FINISH - Powder paint on all surfaces in black and white as standard. Additional colors and RAL palette available. Consult factory for custom finishes.

LABELS - CSA-C,US, Damp Location, Wet with ST trim.

APPLICATIONS

Narrow profile wall grazer used in low ceiling heights to highlight the texture in surfaces such as stucco or brick, illuminate flat surfaces such as venetian plaster, fabric or wood, or specular surfaces such as polished stone or stainless steel.



ORDERING INFORMATION

HOUSING	LENGTH	DRIVER	FINISH	APERTURE LENS
801-LEDP-PH				
Plaster Frame Housing 827 = 2700K 80CRI 830 = 3000K 80CRI 835 = 3500K 80CRI	Specify exact length in increments of 12", (300 mm).	UN3 = 120v-240v HE UN5 = 120v-240v HO above for 0-10v control 1232W = 120v HE 2 wire 1252W = 120v HO 2 wire	WHT = White BLK = Black PXX = SLI Color XXXX = RAL # CST = Custom	79A = Veiling Acrylic 91A = Solite

This information is provided as a specification aid. A submittal will be prepared by the manufacturer for approval prior to fabricating this product. [CLICK HERE for LED and driver performance information including wattage and lumen output or go to www.specialtylightingindustries.com.](http://www.specialtylightingindustries.com)



SPECIALTY LIGHTING INDUSTRIES, INC.

NOTE: These specifications subject to change without notice.

www.specialtylightingindustries.com

1306 DORIS AVENUE, OCEAN, NJ 07712 USA 800.462.7812 732.517.0800 FAX 732.517.0971 © 02/14

Multi-lamp, solid state light engine, recessed linear wall grazing upright with flangeless housing, nominal 2 3/4" (68mm) wide aperture internal veiling lens and pyrex walkover lens.

TYPE: _____

JOB: _____

SPECIFIER: _____

SPECIFICATIONS

HOUSING - Extruded aluminum housing and lens frame with bolt on end plates.

SOCKET - Circuit board mounted to extruded aluminum heatsink. Inline connectors allow removal and replacement.

MOUNTING - Recessed in floor.

ELECTRICAL - Integral dimmable electronic driver with internal short circuit protection. 120v-277v primary, compatible with 0-10v dimmers. Also available for 120v phase control. Consult factory for other drivers.

LENS - Pyrex walkover lens for residential or commercial applications. Acrylic diffusing lens.

LAMP - 2 watt LED 2" o.c. supplied with fixture.

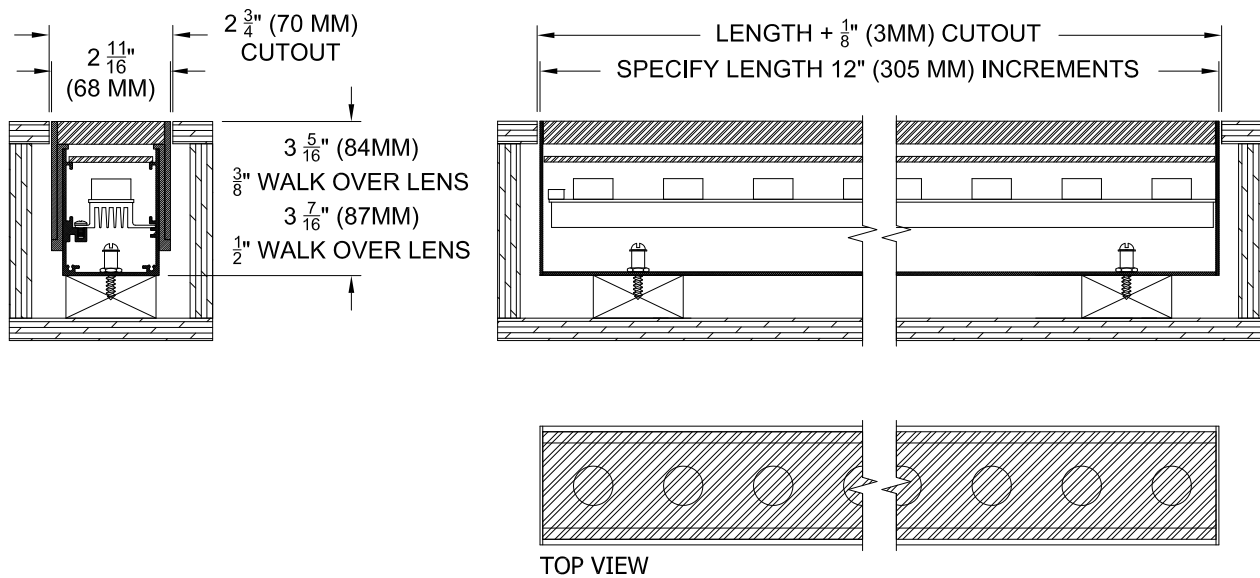
TRIM - Flangeless glass walkover lens held within minimal frame.

LABELS - CSA-C,US, Suitable for mop over.

FINISH - Powder paint on all surfaces in black and white as standard. Additional colors and RAL palette available. Consult factory for custom finishes.

APPLICATIONS

Narrow profile wall grazing upright used for low height walls to highlight the texture in surfaces such as stucco or brick, illuminate flat surfaces such as venetian plaster, fabric or wood, or specular surfaces such as polished stone or stainless steel.



ORDERING INFORMATION

HOUSING	LENGTH	DRIVER	FINISH	INTERNAL LENS	WALKOVER LENS
801-LEDP__-IH					
In Floor Housing 827 = 2700K 80CRI 830 = 3000K 80CRI	Specify exact length in increments of 6", (150 mm).	UN3 = 120v-240v HE UN5 = 120v-240v HO above for 0-10v control 1232W = 120v HE 2 wire 1252W = 120v HO 2 wire	WHT = White BLK = Black PXX = SLI Color XXXX = RAL Color CST = Custom	79 = Veiling Acrylic 91 = Solite	CP84 = Res Clear CP87 = Comm Clear SP84 = Res Frosted SP87 = Comm Frosted

This information is provided as a specification aid. A submittal will be prepared by the manufacturer for approval prior to fabricating this product.

[CLICK HERE for LED and driver performance information including wattage and lumen output or go to www.specialtylightingindustries.com.](#)



SPECIALTY LIGHTING INDUSTRIES, INC.

NOTE: These specifications subject to change without notice.

www.specialtylightingindustries.com

1306 DORIS AVENUE, OCEAN, NJ 07712 USA 800.462.7812 732.517.0800 FAX 732.517.0971 © 07/13

Multi-lamp, solid state light engine, surface mounted linear wall grazer. Nominal 2" (50mm) wide aperture and regressed acrylic lens.

TYPE: _____

JOB: _____

SPECIFIER: _____

SPECIFICATIONS

HOUSING - Extruded aluminum with seamless welded and ground end plates.

SOCKET - Circuit board mounted to extruded aluminum heatsink. Inline connectors allow removal and replacement.

MOUNTING - Surface mounted

LENS - Acrylic diffusing lens Others available consult factory.

ELECTRICAL - Integral dimmable electronic driver with internal short circuit protection. 120v-277v primary, compatible with 0-10v dimmers. Also available for 120v phase control.

TRIM - Lens frame integral to housing.

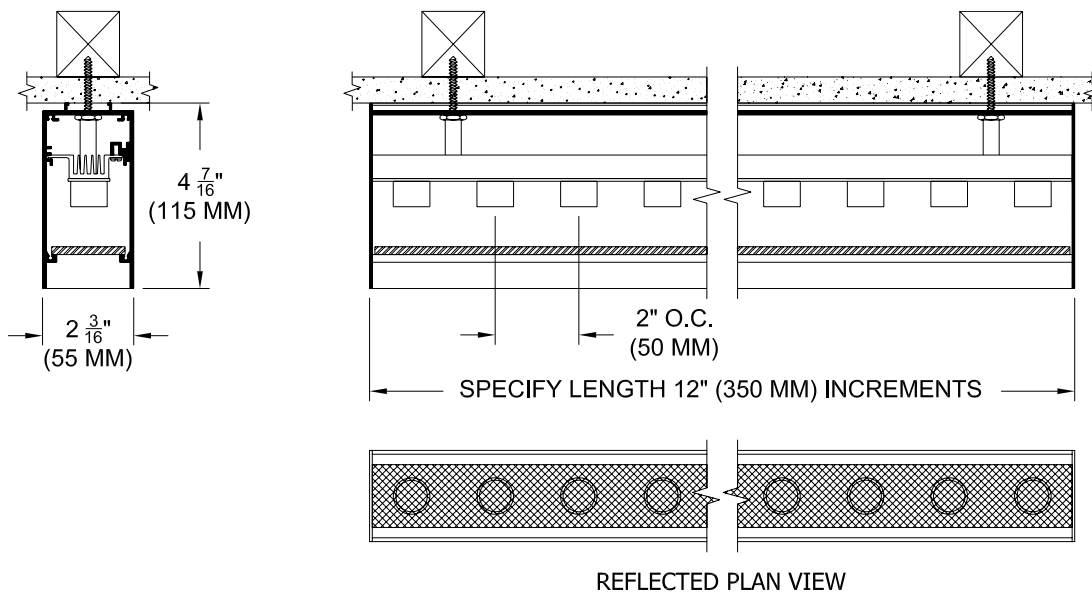
LAMP - 2 watt LED 2" (50mm) o.c. supplied with fixture.

FINISH - Powder paint on all surfaces in black and white as standard. Additional colors and RAL palette available. Consult factory for custom finishes.

LABELS - CSA-C,US, Damp Location

APPLICATIONS

Narrow profile wall grazer used in low ceiling heights to highlight the texture in surfaces such as stucco or brick, illuminate flat surfaces such as venetian plaster, fabric or wood, or specular surfaces such as polished stone or stainless steel.



ORDERING INFORMATION

HOUSING	LENGTH	DRIVER	FINISH	APERTURE LENS
804-LEDP__-SH				
Surface Housing 827 = 2700K 80CRI 830 = 3000K 80CRI 835 = 3500K 80CRI	Specify exact length in increments of 12", (300 mm).	UN3 = 120v-277v HE 0-10v UN5 = 120v-277v HO 0-10v 1232W = 120v HE 2 wire 1252W = 120v HO 2 wire	WHT= White BLK = Black PXX = SLI Color XXXX = RAL # CST = Custom	79A = Veiling Acrylic 91A = Solite

This information is provided as a specification aid. A submittal will be prepared by the manufacturer for approval prior to fabricating this product. [CLICK HERE for LED and driver performance information including wattage and lumen output or go to www.specialtylightingindustries.com.](http://www.specialtylightingindustries.com)



SPECIALTY LIGHTING INDUSTRIES, INC.

NOTE: These specifications subject to change without notice.

www.specialtylightingindustries.com

1306 DORIS AVENUE, OCEAN, NJ 07712 USA 800.462.7812 732.517.0800 FAX 732.517.0971 © 02/14

Multi-lamp, solid state light engine, recessed linear wall grazer with flangless housing, nominal 1.5" (38mm) wide aperture and regressed acrylic lens.

TYPE: _____

JOB: _____

SPECIFIER: _____

SPECIFICATIONS

HOUSING - Extruded aluminum housing with integral flange.

SOCKET - Circuit board mounted to extruded aluminum heatsink. Inline connectors allow removal and replacement.

MOUNTING - Recessed in architectural ceiling.

LENS - Acrylic diffusing lens Others available consult factory.

ELECTRICAL - Integral dimmable electronic driver with internal short circuit protection. 120v-277v primary, compatible with 0-10v dimmers. Also available for 120v phase control.

TRIM - Overlap flange integral to housing.

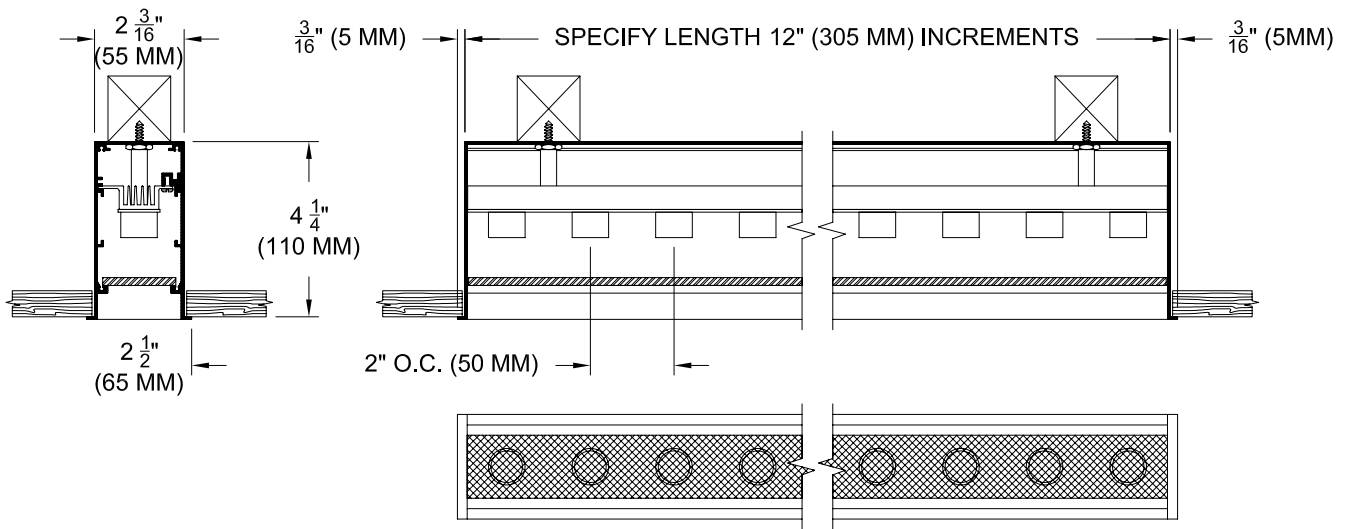
LAMP - 2 watt LED 2" (50mm) o.c. supplied with fixture.

FINISH - Powder paint on all surfaces in black and white as standard. Additional colors and RAL palette available. Consult factory for custom finishes.

LABELS - CSA-C,US, Damp Location, Wet with ST trim

APPLICATIONS

Narrow profile wall grazer used in low ceiling heights to highlight the texture in surfaces such as stucco or brick, illuminate flat surfaces such as venetian plaster, fabric or wood, or specular surfaces such as polished stone or stainless steel.



REFLECTED PLAN VIEW

ORDERING INFORMATION

HOUSING	LENGTH	DRIVER	FINISH	APERTURE LENS
805-LEDP__-FH				
Flanged Housing 827 = 2700K 80CRI 830 = 3000K 80CRI 835 = 3500K 80CRI	Specify exact length in increments of 12", (300 mm).	UN3 = 120v-277v HE 0-10v UN5 = 120v-277v HO 0-10v 1232W = 120v HE 2 wire 1252W = 120v HO 2 wire	WHT = White BLK = Black PXX = SLI Color XXXX = RAL # CST = Custom	79A = Veiling Acrylic 91A = Solite Add ST for wet location

This information is provided as a specification aid. A submittal will be prepared by the manufacturer for approval prior to fabricating this product. [CLICK HERE for LED and driver performance information including wattage and lumen output or go to www.specialtylightingindustries.com.](#)



SPECIALTY LIGHTING INDUSTRIES, INC.

NOTE: These specifications subject to change without notice.

www.specialtylightingindustries.com

1306 DORIS AVENUE, OCEAN, NJ 07712 USA 800.462.7812 732.517.0800 FAX 732.517.0971 © 02/14

Multi-lamp, solid state light engine, recessed linear wall grazer with flangless housing, nominal 1.5" (38mm) wide aperture and regressed acrylic lens.

TYPE: _____

JOB: _____

SPECIFIER: _____

SPECIFICATIONS

HOUSING - Extruded aluminum housing with utrim plaster frame.

SOCKET - Circuit board mounted to extruded aluminum heatsink. Inline connectors allow removal and replacement.

MOUNTING - Recessed in sheetrock ceiling.

LENS - Acrylic diffusing lens Others available consult factory.

ELECTRICAL - Integral dimmable electronic driver with internal short circuit protection. 120v-277v primary, compatible with 0-10v dimmers. Also available for 120v phase control.

TRIM - Lens frame integral to housing.

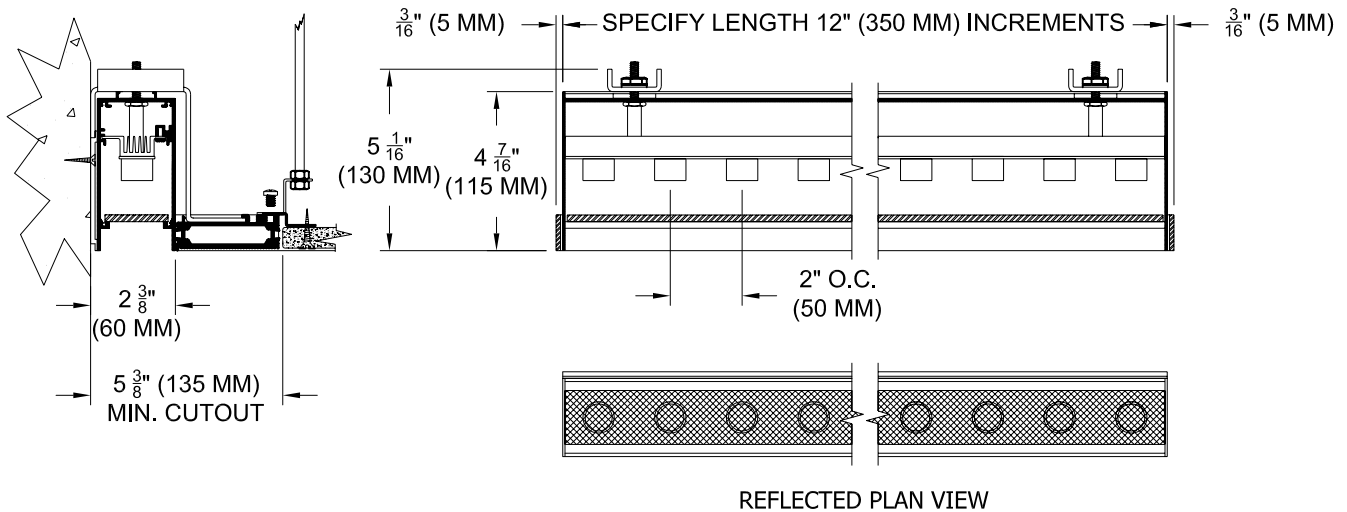
LAMP - 2 watt LED 2" (50mm) o.c. supplied with fixture.

FINISH - Powder paint on all surfaces in black and white as standard. Additional colors and RAL palette available. Consult factory for custom finishes.

LABELS - CSA-C,US, Damp Location, Wet with ST trim

APPLICATIONS

Narrow profile wall grazer used in low ceiling heights to highlight the texture in surfaces such as stucco or brick, illuminate flat surfaces such as venetian plaster, fabric or wood, or specular surfaces such as polished stone or stainless steel.



ORDERING INFORMATION

HOUSING	LENGTH	DRIVER	FINISH	APERTURE LENS
805-LEDP__-PH				
Plaster Flange Housing 827 = 2700K 80CRI 830 = 3000K 80CRI 835 = 3500K 80CRI	Specify exact length in increments of 12", (300 mm).	UN3 = 120v-277v HE 0-10v UN5 = 120v-277v HO 0-10v 1232W = 120v HE 2 wire 1252W = 120v HO 2 wire	WHT= White BLK = Black PXX = SLI Color XXXX = RAL # CST = Custom	79A = Veiling Acrylic 91A = Solite Add ST for wet location

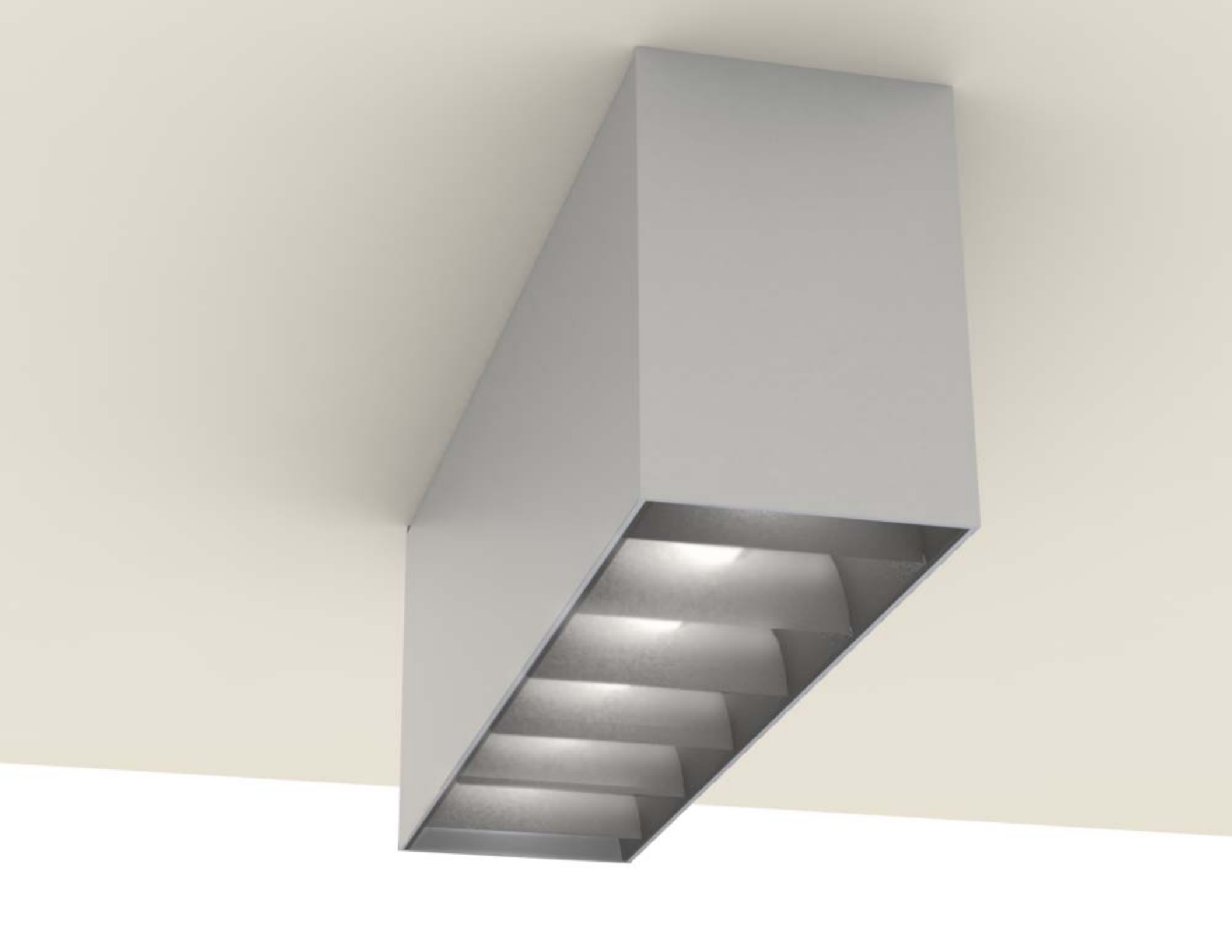
This information is provided as a specification aid. A submittal will be prepared by the manufacturer for approval prior to fabricating this product. [CLICK HERE for LED and driver performance information including wattage and lumen output or go to www.specialtylightingindustries.com.](http://www.specialtylightingindustries.com)



SPECIALTY LIGHTING INDUSTRIES, INC.

NOTE: These specifications subject to change without notice.
www.specialtylightingindustries.com

1306 DORIS AVENUE, OCEAN, NJ 07712 USA 800.462.7812 732.517.0800 FAX 732.517.0971 © 02/14



Multi-lamp, solid state light engine, surface mounted linear wall grazer. Nominal 2" (50mm) wide aperture and regressed acrylic lens.

TYPE: _____

JOB: _____

SPECIFIER: _____

SPECIFICATIONS

HOUSING - Extruded aluminum with seamless welded and ground end plates.

SOCKET - Circuit board mounted to extruded aluminum heatsink. Inline connectors allow removal and replacement.

MOUNTING - Surface mounted

LENS - Acrylic diffusing lens Others available consult factory.

ELECTRICAL - Integral dimmable electronic driver with internal short circuit protection. 120v-277v primary, compatible with 0-10v dimmers. Also available for 120v phase control.

TRIM - Parabolic louver baffle.

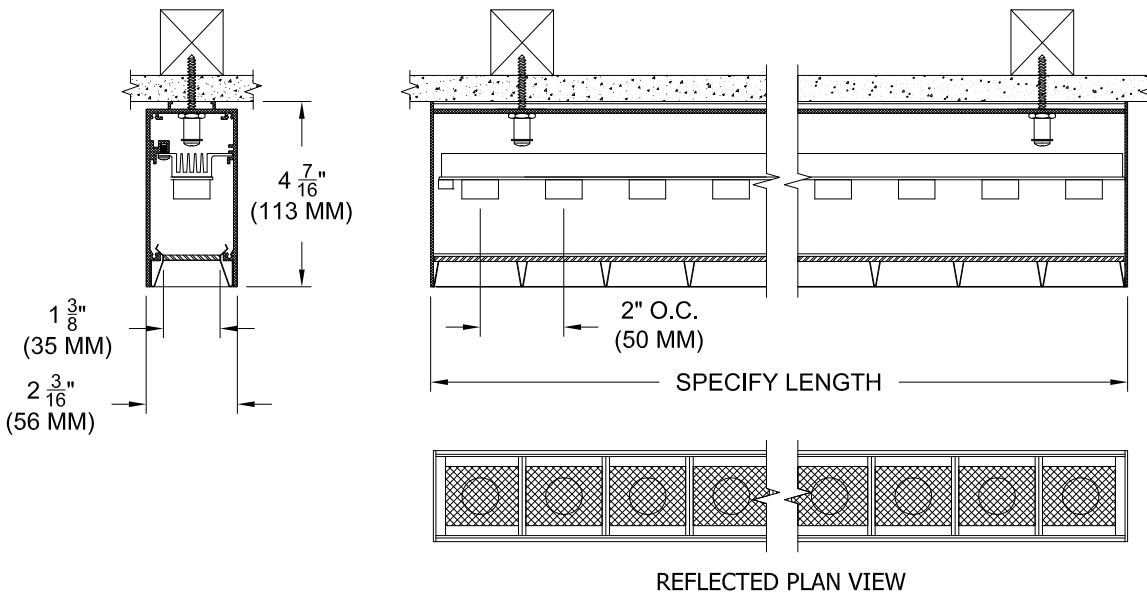
LAMP - 2 watt LED 2" (50mm) o.c. supplied with fixture.

FINISH - Powder paint on all surfaces in black and white as standard. Additional colors and RAL palette available. Consult factory for custom finishes.

LABELS - CSA-C,US, Damp Location

APPLICATIONS

Narrow profile wall grazer used in ceiling heights up to 10 feet (3m) to highlight the texture in surfaces such as stucco or brick, illuminate flat surfaces such as venetian plaster, fabric or wood, or specular surfaces such as polished stone or stainless steel.



ORDERING INFORMATION

HOUSING	LENGTH	DRIVER	LOUVER FINISH	APERTURE LENS
811-LEDP ___-SH				
Surface Housing 827 = 2700K 80CRI 830 = 3000K 80CRI	Specify exact length in increments of 6", (150 mm).	UN3 = 120v-277v HE 0-10v UN5 = 120v-277v HO 0-10v 1232W = 120v HE 2 wire 1252W = 120v HO 2 wire	WHT= White BLK = Black PA = Clear Aluminum PXX = SLI Color CST = Custom	71A = Overlay Acrylic

This information is provided as a specification aid. A submittal will be prepared by the manufacturer for approval prior to fabricating this product. [CLICK HERE for LED and driver performance information including wattage and lumen output or go to www.specialtylightingindustries.com.](http://www.specialtylightingindustries.com)



SPECIALTY LIGHTING INDUSTRIES, INC.

NOTE: These specifications subject to change without notice.

www.specialtylightingindustries.com

1306 DORIS AVENUE, OCEAN, NJ 07712 USA 800.462.7812 732.517.0800 FAX 732.517.0971 © 07/13

Multi-lamp, solid state light engine, recessed linear wall grazer with flangless housing, nominal 1.5" (38mm) wide aperture and regressed acrylic lens.

TYPE: _____

JOB: _____

SPECIFIER: _____

SPECIFICATIONS

HOUSING - Extruded aluminum housing with utrim plaster frame.

MOUNTING - Recessed in sheetrock ceiling.

ELECTRICAL - Integral dimmable electronic driver with internal short circuit protection. 120v-277v primary, compatible with 0-10v dimmers. Also available for 120v phase control.

LAMP - 2 watt LED 2" (50mm) o.c. supplied with fixture.

LABELS - CSA-C,US, Damp location, Wet with ST trim, ASTM E283 Airtight, Suitable for direct contact with thermal insulation.

SOCKET - Circuit board mounted to extruded aluminum heatsink. Inline connectors allow removal and replacement.

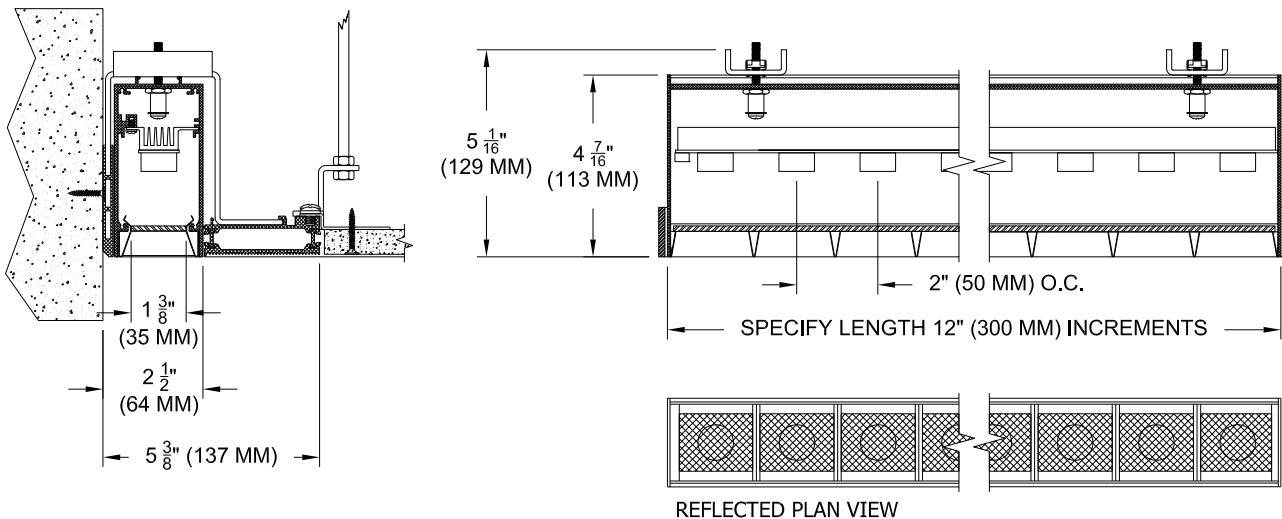
LENS - Acrylic diffusing lens Others available consult factory.

TRIM - Parabolic louver baffle.

FINISH - White powder paint housing. Louver available in black and white as standard. Additional colors and RAL palette available. Consult factory for custom finishes..

APPLICATIONS

Narrow profile wall grazer used in ceiling heights up to 10 feet (3m) to highlight the texture in surfaces such as stucco or brick, illuminate flat surfaces such as venetian plaster, fabric or wood, or specular surfaces such as polished stone or stainless steel.



ORDERING INFORMATION

HOUSING	LENGTH	DRIVER	LOUVER FINISH	APERTURE LENS
811-LEDP ___-APH				
Airtight Plaster Flange Housing 827 = 2700K 80CRI 830 = 3000K 80CRI 835 = 3500K 80CRI	Specify exact length in increments of 6", (150 mm).	UN3 = 120v-277v HE 0-10v UN5 = 120v-277v HO 0-10v 1232W = 120v HE 2 wire 1252W = 120v HO 2 wire	WHT= White BLK = Black PA = Clear Aluminum PXX = SLI Color CST = Custom	71A = Overlay Acrylic

This information is provided as a specification aid. A submittal will be prepared by the manufacturer for approval prior to fabricating this product. [CLICK HERE for LED and driver performance information including wattage and lumen output or go to www.specialtylightingindustries.com.](http://www.specialtylightingindustries.com)



SPECIALTY LIGHTING INDUSTRIES, INC.

NOTE: These specifications subject to change without notice.

www.specialtylightingindustries.com

1306 DORIS AVENUE, OCEAN, NJ 07712 USA 800.462.7812 732.517.0800 FAX 732.517.0971 © 03/14

Multi-lamp, solid state light engine, recessed linear wall grazer with flangless housing, nominal 4" (100mm) wide aperture, parabolic baffle and regressed acrylic lens.

TYPE: _____

JOB: _____

SPECIFIER: _____

SPECIFICATIONS

HOUSING - Precision die-formed heavy gauge aluminum with welded end plates and ultrim plaster frame.

MOUNTING - Recessed in sheetrock ceiling.

ELECTRICAL - Integral multi LED driver. 120-240v current at 50hz or 60hz. Compatible with 0-10V dimming.

LAMP - BridgeLux LED supplied with fixture. See performance information for available Color temperature and CRI.

LABELS - CSA-C,US, Damp Location,

SOCKET - Ulsocket™ provides screwless connection between the heat sink and the LED module for future proof maintenance.

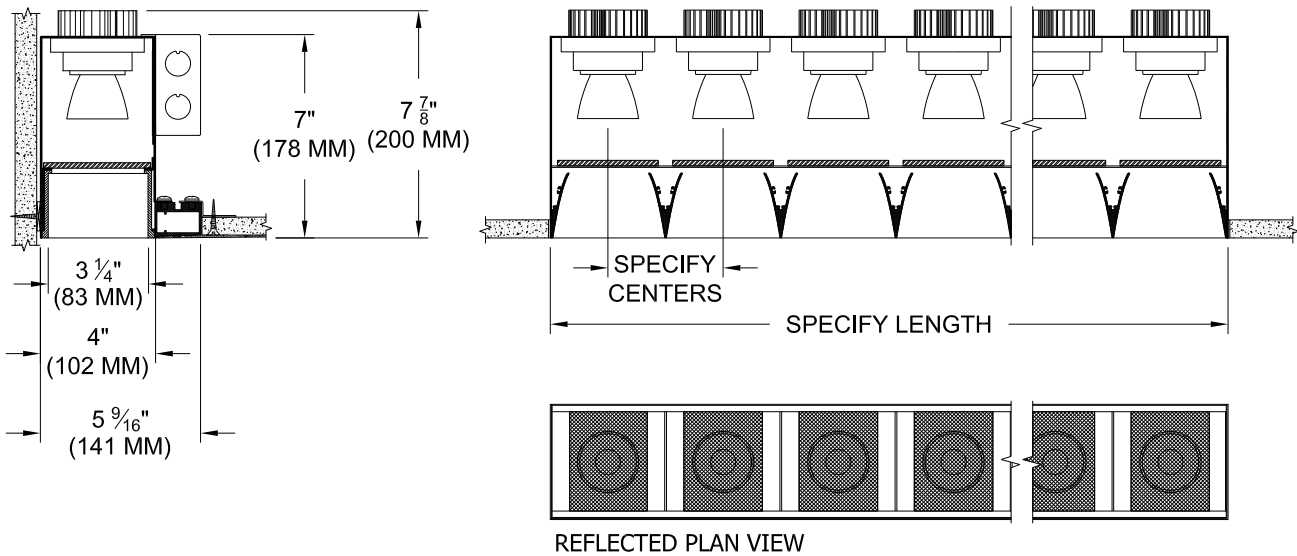
LENS - Veiling acrylic lens or frosted Supertex

TRIM - Extruded aluminum side rails with extruded aluminum parabolic baffles.

FINISH - Black powder paint housing. Aperture trim available in black and white as standard. Additional colors and RAL palette available. Consult factory for custom finishes.

APPLICATIONS

Medium aperture wall grazer used in ceiling heights up to 30' (10M) to highlight the texture in surfaces such as stucco or brick, illuminate flat surfaces such as venetian plaster, fabric or wood, or specular surfaces such as polished stone or stainless steel.



ORDERING INFORMATION

HOUSING	LENGTH	DRIVER	FINISH	APERTURE LENS
811-LEDB__-PH				
Plaster Flange Housing 8 = 80CRI 27 = 2700K 9 = 97CRI 30 = 3000K 35 = 3500K 40 = 4000K	Specify exact length to nearest 4" (100mm)	UN5 = 120v-277v HE UN7 = 120v-277v HO UN10 = 120v-277v VHO	P14 = White BLK = Black PXX = SLI Color XXXX = RAL # CST = Custom	79A = Veiling Acrylic 82A = Frosted Supertex

This information is provided as a specification aid. A submittal will be prepared by the manufacturer for approval prior to fabricating this product.

[CLICK HERE](#) for LED and driver performance information including wattage and lumen output or go to www.specialtylightingindustries.com.



SPECIALTY LIGHTING INDUSTRIES, INC.

NOTE: These specifications subject to change without notice.

www.specialtylightingindustries.com

1306 DORIS AVENUE, OCEAN, NJ 07712 USA 800.462.7812 732.517.0800 FAX 732.517.0971 © 02/14

Multi-lamp, solid state light engine, recessed linear wall grazer with flangless housing, nominal 4" (100mm) wide aperture, parabolic baffle and regressed acrylic lens.

TYPE: _____

JOB: _____

SPECIFIER: _____

SPECIFICATIONS

HOUSING - Precision die-formed heavy gauge aluminum with welded end plates and ultrim plaster frame.

SOCKET - Screwless connection between the heat sink and the LED module for future proof maintenance.

MOUNTING - Recessed in sheetrock ceiling.

LENS - Veiling acrylic lens or frosted Supertex

ELECTRICAL - Integral multi LED dimmable electronic driver with internal short circuit protection. 120v-277v primary, compatible with 0-10v or Dali dimmers.

TRIM - Extruded aluminum side rails with extruded aluminum parabolic baffles.

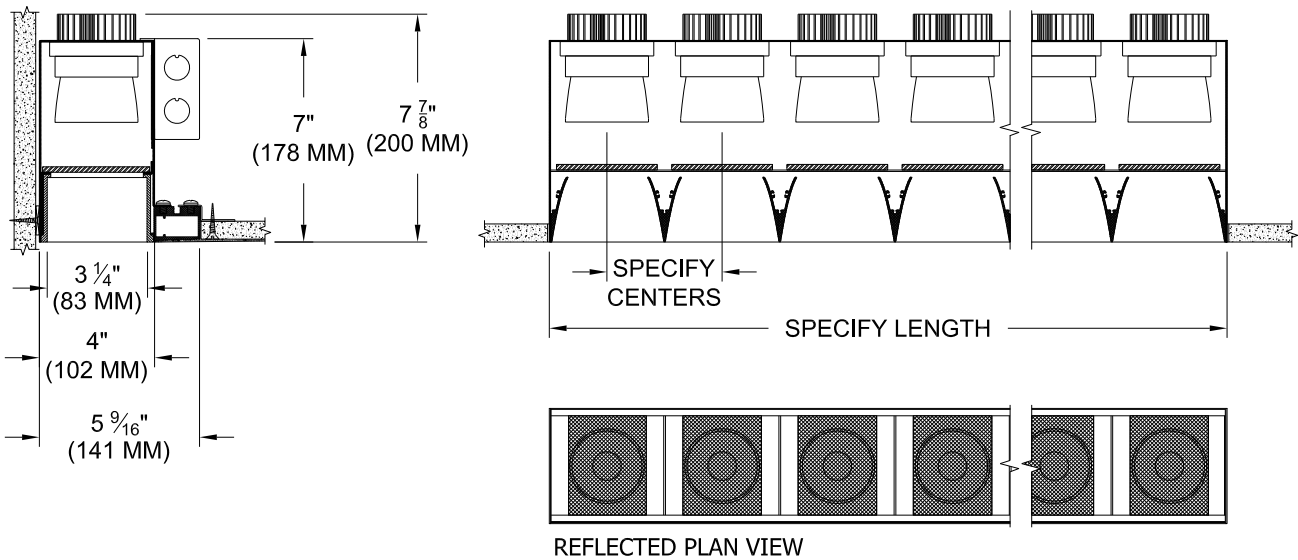
LAMP - GE Infusion LED supplied with fixture. Nominal 2100 (HE) or 3000 (HO) lumens per foot.

FINISH - White powder paint housing. Aperture trim available in black and white as standard. Additional colors and RAL palette available. Consult factory for custom finishes.

LABELS - CSA-C,US, Damp Location.

APPLICATIONS

Medium aperture wall grazer used in ceiling heights up to 30' (10M) to highlight the texture in surfaces such as stucco or brick, illuminate flat surfaces such as venetian plaster, fabric or wood, or specular surfaces such as polished stone or stainless steel.



ORDERING INFORMATION

HOUSING	LENGTH	DRIVER	FINISH	APERTURE LENS
811-LEDG__-PH				
Plaster Flange Housing 8 = 80CRI 27 = 2700K 9 = 90CRI 30 = 3000K 35 = 3500K 40 = 4000K	Specify exact length to nearest 4" (100mm)	UN5 = 120v-277v HE 33w/ft UN7 = 120v-277v HO 45w/ft	P14 = White BLK = Black PXX = SLI Color XXXX = RAL # CST = Custom	79A = Veiling Acrylic 82A = Frosted Supertex

This information is provided as a specification aid. A submittal will be prepared by the manufacturer for approval prior to fabricating this product.



SPECIALTY LIGHTING INDUSTRIES, INC.

NOTE: These specifications subject to change without notice.

www.specialtylightingindustries.com

1306 DORIS AVENUE, OCEAN, NJ 07712 USA 800.462.7812 732.517.0800 FAX 732.517.0971 © 2/14

Multi-lamp, solid state light engine, recessed linear wall grazer with flangless housing, nominal 4" (100mm) wide aperture, parabolic baffle and regressed acrylic lens.

TYPE: _____

JOB: _____

SPECIFIER: _____

SPECIFICATIONS

HOUSING - Precision die-formed heavy gauge aluminum with welded end plates and ultrim plaster frame.

MOUNTING - Recessed in sheetrock ceiling.

ELECTRICAL - Integral multi LED driver. 120-240v current at 50hz or 60hz. Compatible with 0-10V dimming.

LAMP - Xicato LED supplied with fixture. See performance information for available Color temperature and CRI.

LABELS - CSA-C,US, Damp Location,

SOCKET - Ulsocket™ provides screwless connection between the heat sink and the LED module for future proof maintenance.

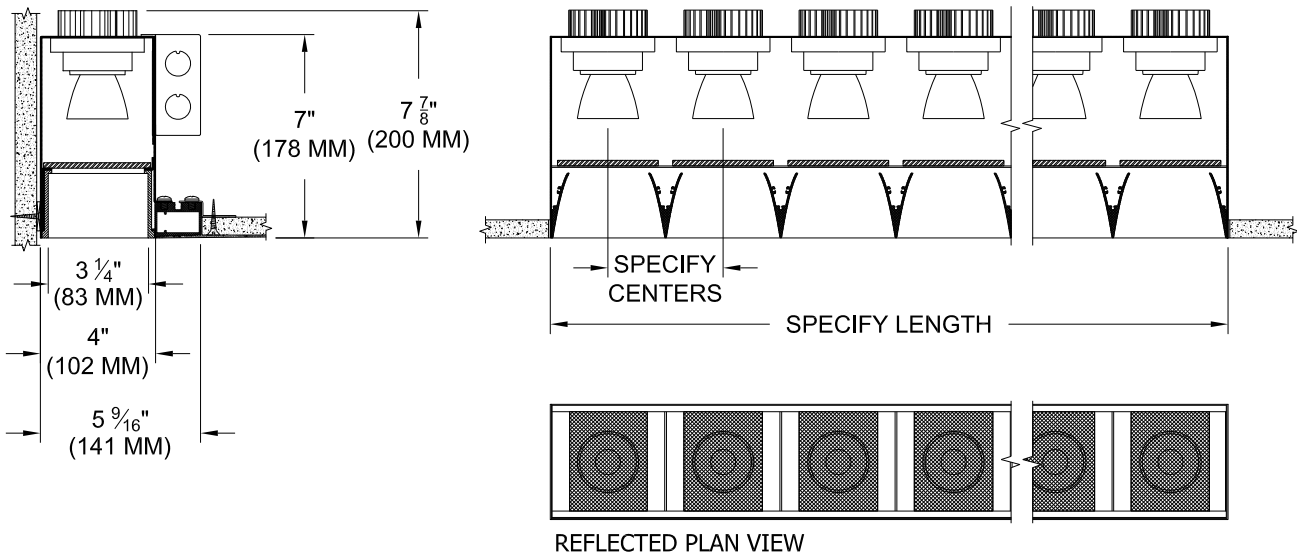
LENS - Veiling acrylic lens or frosted Supertex

TRIM - Extruded aluminum side rails with extruded aluminum parabolic baffles.

FINISH - Black powder paint housing. Aperture trim available in black and white as standard. Additional colors and RAL palette available. Consult factory for custom finishes.

APPLICATIONS

Medium aperture wall grazer used in ceiling heights up to 30' (10M) to highlight the texture in surfaces such as stucco or brick, illuminate flat surfaces such as venetian plaster, fabric or wood, or specular surfaces such as polished stone or stainless steel.



ORDERING INFORMATION

HOUSING	LENGTH	DRIVER	FINISH	APERTURE LENS
811-LEDX__-PH				
Plaster Flange Housing 8 = 80CRI 27 = 2700K 9 = 95CRI 30 = 3000K 35 = 3500K 40 = 4000K	Specify exact length to nearest 4" (100mm)	UN5 = 120v-277v HE UN7 = 120v-277v HO UN10 = 120v-277v VHO	P14 = White BLK = Black PXX = SLI Color XXXX = RAL # CST = Custom	79A = Veiling Acrylic 82A = Frosted Supertex

This information is provided as a specification aid. A submittal will be prepared by the manufacturer for approval prior to fabricating this product.

[CLICK HERE](#) for LED and driver performance information including wattage and lumen output or go to www.specialtylightingindustries.com.



SPECIALTY LIGHTING INDUSTRIES, INC.

NOTE: These specifications subject to change without notice.

www.specialtylightingindustries.com

1306 DORIS AVENUE, OCEAN, NJ 07712 USA 800.462.7812 732.517.0800 FAX 732.517.0971 © 02/14

Multi-lamp, solid state light engine, recessed linear wall grazer with flangeless housing, nominal 4" (100mm) wide aperture, parabolic baffle and regressed acrylic lens and pyrex walk over lens.

TYPE: _____

JOB: _____

SPECIFIER: _____

SPECIFICATIONS

HOUSING - Precision die-formed heavy gauge aluminum with welded end plates and flangeless lens frame.

MOUNTING - Recessed in architectural floor.

ELECTRICAL - Integral multi LED driver. 220-240v current at 50hz or 60hz. Compatible with phase control dimming.

LAMP - Xicato 12 Watt 720 lm module 100mm on center included.

LABELS - CE IP40

SOCKET - Ulsocket™ provides screwless connection between the heat sink and the LED module for future proof maintenance.

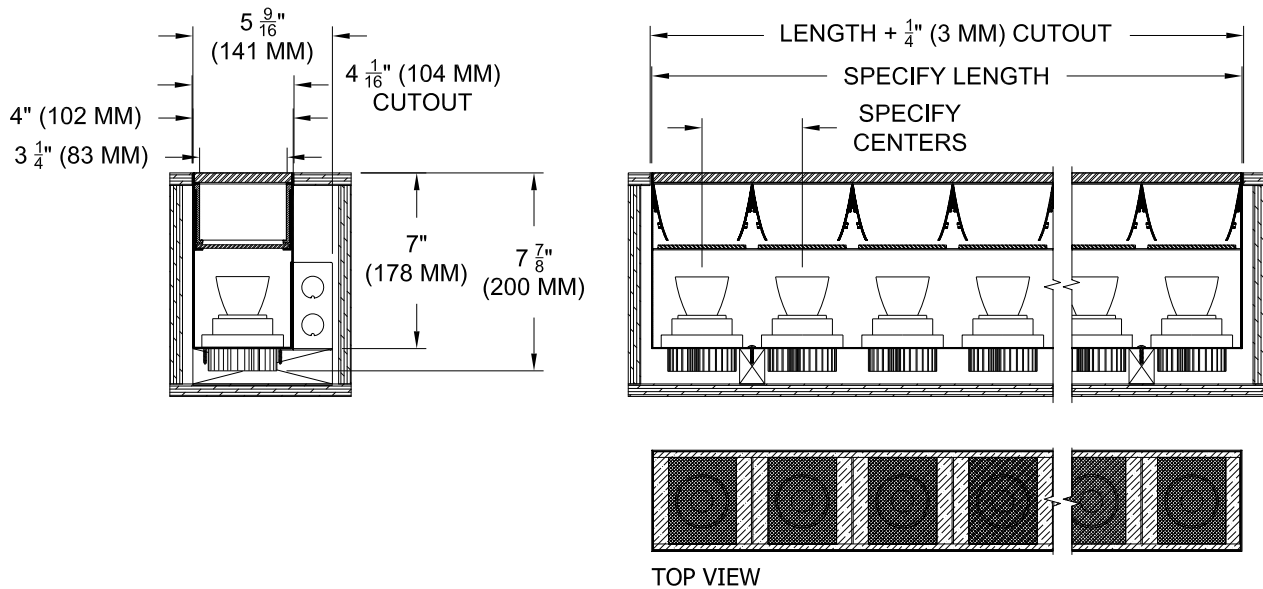
LENS - 9mm clear pyrex walkover lens and veiling acrylic lens.

TRIM - Extruded aluminum side rails with extruded aluminum parabolic baffles.

FINISH - Black powder paint housing. Aperture trim available in black and white as standard. Additional colors and RAL palette available. Consult factory for custom finishes.

APPLICATIONS

Medium aperture wall grazer used in ceiling heights up to 30' (10M) to highlight the texture in surfaces such as stucco or brick, illuminate flat surfaces such as venetian plaster, fabric or wood, or specular surfaces such as polished stone or stainless steel.



ORDERING INFORMATION

HOUSING	LENGTH	DRIVER	FINISH	APERTURE LENS	TOP LENS
811-LEDX__IH					
Inverted Housing X827 = 2700K 80CRI X927 = 2700K 95CRI X830 = 3000K 80CRI X930 = 3000K 95CRI	Specify exact length to nearest 100mm	225 = 220-240v 500ma add DM for triac dimming	P14 = White BLK = Black PXX = SLI Color XXXX = RAL # CST = Custom	79A = Veiling Acrylic	CP = Clear Pyrex FP = Frosted Pyrex

This information is provided as a specification aid. A submittal will be prepared by the manufacturer for approval prior to fabricating this product.



SPECIALTY LIGHTING INDUSTRIES, INC.

NOTE: These specifications subject to change without notice.

www.specialtylightingindustries.com

1306 DORIS AVENUE, OCEAN, NJ 07712 USA 800.462.7812 732.517.0800 FAX 732.517.0971 © 10/12



**SPECIALTY LIGHTING
INDUSTRIES, INC.**

HIGH OUTPUT LED OPTIONS

We offer High Output LED sources from General Electric, Xicato, BridgeLux and Philips Lumileds for use in our products. Due to the evolving nature of solid state light sources we have chosen to publish information regarding the output and power consumption of these products as a separate data sheet.

GE Infusion Series LED Light Engines:

Ordering Code	Chip Model	Color Temp. (CT)	Color Rendering (CRI)	Driver Selection	Output (LM)	Chip Efficacy	Chip Load (Watts)	Total Load (Watts)
LEDG827	M Series	2700	80	VHO	1800	60	30	34.2
LEDG827	M Series	2700	80	HO	1500	65	23	25
LEDG827	M Series	2700	80	HE	1200	75	16.1	18
LEDG827	MP Spot	2700	80	HO	1300	52	25	28.1
LEDG827	MP Spot	2700	80	HE	1040	59.4	17.5	18.3
LEDG830	M Series	3000	80	VHO	2000	66.7	30	34.2
LEDG830	M Series	3000	80	HO	1600	70	23	25
LEDG830	M Series	3000	80	HE	1280	80	16.1	18
LEDG830	MP Spot	3000	80	HO	1400	56	25	28.1
LEDG830	MP Spot	3000	80	HE	1120	64	17.5	18.3
LEDG930	M Series	3000	87	VHO	1700	56.7	30	34.2
LEDG930	M Series	3000	90	HO	1400	61	23	25
LEDG930	M Series	3000	90	HE	1120	70	16.1	18
LEDG930	MP Spot	3000	90	HO	1100	44	25	28.1
LEDG930	MP Spot	3000	90	HE	880	50.3	17.5	18.3
LEDG840	M Series	4000	80	VHO	2200	73.3	30	34.2
LEDG840	M Series	4000	80	HO	1750	76	23	25
LEDG840	M Series	4000	80	HE	1400	87	16.1	18
LEDG840	MP Spot	4000	80	HO	1500	60	25	28.1
LEDG840	MP Spot	4000	80	HE	1200	68.6	17.5	18.3

These specifications subject to change without notice. 11/13

T 732.517.0800
F 732.517.0971
1306 DORIS AVENUE OCEAN, NJ 07712 USA
www.specialtylightingindustries.com

flawless.



**SPECIALTY LIGHTING
INDUSTRIES, INC.**

Xicato Series LED Light Engines:

Ordering Code	Chip Model	Color Temp. (CT)	Color Rendering (CRI)	Driver Selection	Output (LM)	Chip Efficacy	Chip Load (Watts)	Total Load (Watts)
LEDX827	XSM	2700	80	VHO	2000	70	28.8	29.3
LEDX827	XSM	2700	80	HO	930	82	11.3	13.4
LEDX827	XSM	2700	80	HE	700	89	7.9	8.5
LEDX927	XSM	2700	95	VHO	1300	47	27.7	29.2
LEDX927	XSM	2700	95	HO	930	45	17.8	20.7
LEDX927	XSM	2700	95	HE	700	52	12.4	13.4
LEDX830	XSM	3000	80	VHO	2000	70	28.8	29.3
LEDX830	XSM	3000	80	HO	930	82	11.3	13.4
LEDX830	XSM	3000	80	HE	700	89	7.9	8.5
LEDX830	XPM Spot	3000	80	VHO	2000	20	22.1	20.7
LEDX830	XPM Spot	3000	80	HO	930	22	14.3	15.9
LEDX830	XPM Spot	3000	80	HE	700	24	9.8	11
LEDX930	XSM	3000	95	VHO	450	47	27.7	29.2
LEDX930	XSM	3000	95	HO	320	45	17.8	20.7
LEDX930	XSM	3000	95	HE	240	52	12.4	13.4
LEDX835	XSM	3500	80	VHO	1300	70	28.8	29.3
LEDX835	XSM	3500	80	HO	930	82	11.3	13.4
LEDX835	XSM	3500	80	HE	700	89	7.9	8.5
LEDX935	XSM	3500	95	VHO	1300	47	27.7	29.2
LEDX935	XSM	3500	95	HO	930	45	17.8	20.7
LEDX935	XSM	3500	95	HE	700	52	12.4	13.4
LEDX840	XSM	4000	80	VHO	2000	70	28.8	29.3
LEDX840	XSM	4000	80	HO	930	82	11.3	13.4
LEDX840	XSM	4000	80	HE	700	89	7.9	8.5
LEDX940	XSM	4000	95	VHO	1300	47	27.7	29.2
LEDX940	XSM	4000	95	HO	930	45	17.8	20.7
LEDX940	XSM	4000	95	HE	700	52	12.4	13.4



**SPECIALTY LIGHTING
INDUSTRIES, INC.**

BridgeLux LED Light Engines:

Ordering Code	Chip Model	Color Temp. (CT)	Color Rendering (CRI)	Driver Selection	Output (LM)	Chip Efficacy	Chip Load (Watts)	Total Load (Watts)
LEDB827	BXRC	2700	80	VHO	3020	99	36.7	43
LEDB827	BXRC	2700	80	HO	2170	108	23.6	28
LEDB827	BXRC	2700	80	HE	1640	116	16.3	20
LEDB927	BXRC	2700	90	VHO	2920	80	36.7	43
LEDB927	BXRC	2700	90	HO	2040	87	23.6	28
LEDB927	BXRC	2700	90	HE	1510	93	16.3	20
LEDB977	BXRC	2700	97	VHO	1050	74	36.7	43
LEDB977	BXRC	2700	97	HO	1400	69	23.6	28
LEDB977	BXRC	2700	97	HE	1940	64	16.3	20
LEDB830	BXRC	3000	80	VHO	3130	120	36.7	43
LEDB830	BXRC	3000	80	HO	2260	112	23.6	28
LEDB830	BXRC	3000	80	HE	1700	103	16.3	20
LEDB930	BXRC	3000	90	VHO	2570	84	36.7	43
LEDB930	BXRC	3000	90	HO	1850	91	23.6	28
LEDB930	BXRC	3000	90	HE	1390	98	16.3	20
LEDB973	BXRC	3000	97	VHO	2110	81	36.7	43
LEDB973	BXRC	3000	97	HO	1520	75	23.6	28
LEDB973	BXRC	3000	97	HE	1140	69	16.3	20
LEDB835	BXRC	3500	80	VHO	3250	106	36.7	43
LEDB835	BXRC	3500	80	HO	2340	116	23.6	28
LEDB835	BXRC	3500	80	HE	1760	124	16.3	20
LEDB840	BXRC	4000	80	VHO	3310	108	36.7	43
LEDB840	BXRC	4000	80	HO	2380	118	23.6	28
LEDB840	BXRC	4000	80	HE	1790	127	16.3	20



**SPECIALTY LIGHTING
INDUSTRIES, INC.**

Linear LED Light Engines:

Ordering Code	Product Series	Color Temp. (CT)	Color Rendering (CRI)	Driver Selection	Output (LM/FT)	Chip Efficacy	Chip Load (Watts)	Total Load (Watts/FT)
LEDP830	6XX	3000	80	HO	1100	137.5	8/FT	12.4
LEDP827	8XX	2700	80	HO	688	82	1.4	15
LEDP827	8XX	2700	80	HE	510	88	0.97	10.2
LEDP830	8XX	3000	80	HO	770	92	1.4	15
LEDP830	8XX	3000	80	HE	570	98	0.97	10.2