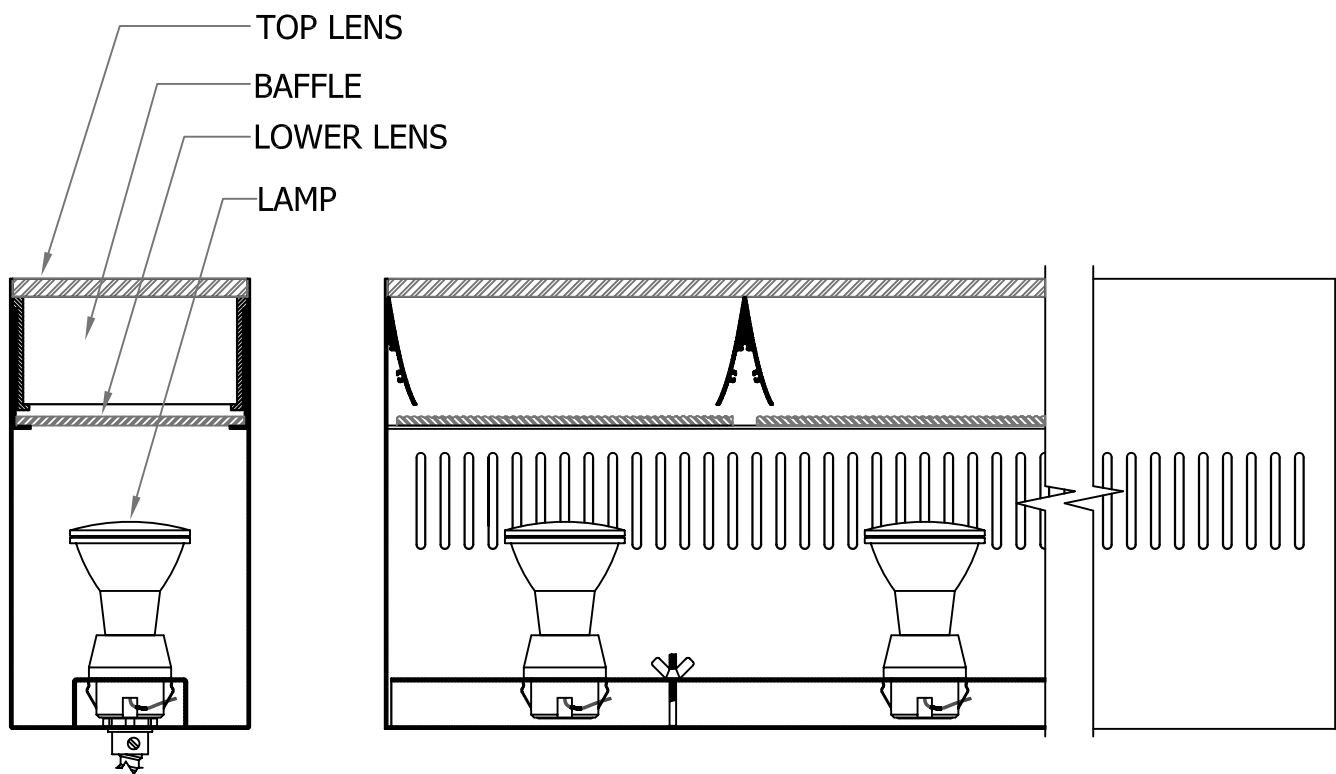


811 UP RELAMPING INSTRUCTIONS

1. Lift and remove top lens with suction cup tool.
2. Lift out baffle assembly.
3. Remove lower lens.
4. Remove and replace lamp.
5. Reinstall lenses and baffles by reversing steps 1 through 3.



SPECIALTY LIGHTING
INDUSTRIES, INC.

1306 DORIS AVENUE, OCEAN, NJ 07712 USA

800.462.7812

www.specialtylightingindustries.com

732.517.0800 FAX 732.517.0971