

Single lamp, LED, recessed 2" aperture fixed and wall wash down light. General downlighting in low to medium ceiling heights typically found in residential, commercial and retail applications.

SPECIFICATIONS

HOUSING

- Precision die-formed heavy gauge aluminum with machined ceiling collar

MOUNTING

- Recessed in architectural ceiling

ELECTRICAL

- Integral electronic driver with internal short circuit protection
- 120v-277v primary, compatible with 0-10v dimmers. Also available for 120v phase control or Lutron

LAMP

- LED supplied with fixture

SOCKET

- Precision CNC machined lampholder assembly
- Ulsocket™ allows easy field replacement of light engine

LENS

- Interchangeable reflector provides multiple beam patterns.
- Optional borosilicate lenses available for aperture.

TRIM

- Aluminum reflector cone or decorative glass cylinder

FINISH

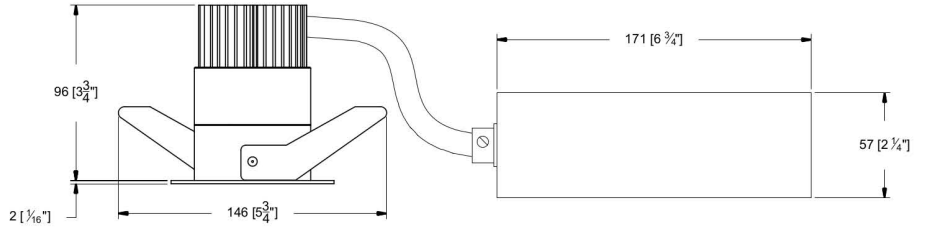
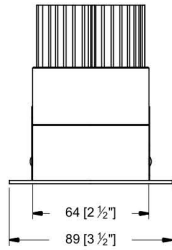
- Aperture trim available in numerous colors
- Additional colors and RAL palette available
- Consult factory for custom finishes

LABELS

- CSA-C,US, Damp Location



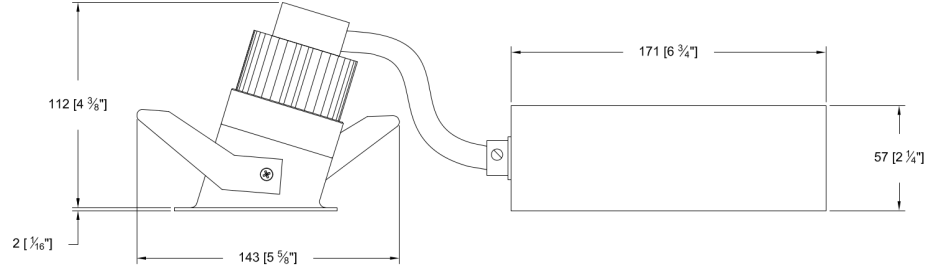
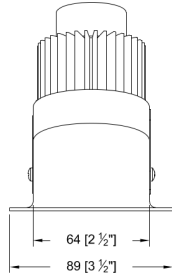
4501-LED FT



ORDERING INFORMATION

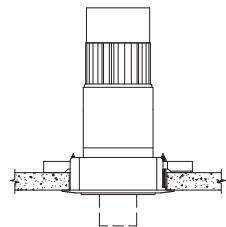
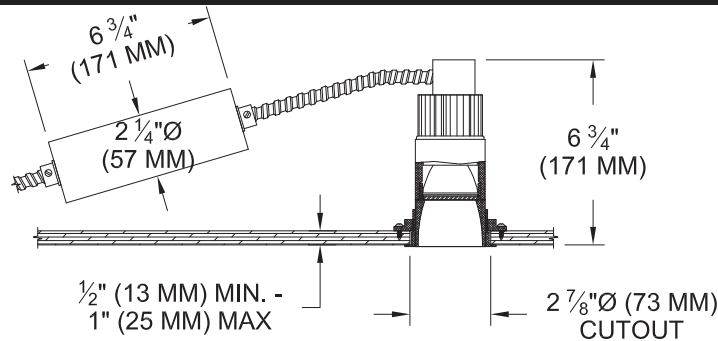
4501-LED-FT	VOLTAGE	OUTPUT	DIMMING	BEAMSPREAD	TRIM FINISH	APERTURE LENS
9 = 90CRI+ 27 =2700K 30 =3000K 35 =3500K 40 =4000K AD = Ambient Dim Max 3000K-1900K	120 277 UNV = 120-277	HU = 11W, 1100lm HE = 16.3W, 1600lm Ambient Dim HE = 14.5W, 1000lm	1 = 0-10V Dimmable (UNV) 2 = No Dimming 3 = ELV/TRIAC (120v) 4 = Lutron 2 wire (120v)* 5 = Lutron 3 wire (UNV)* *Requires Remote Driver	15 = 15 Degrees 24 = 24 Degrees 38 = 38 Degrees	P14 = White BLK =Black PXX = SLI Color XXXX = RAL # CST = Custom	79A = Veiling Acrylic 90A = Clear 91A = Solite

4540-LED FT



4540-LED-FT	VOLTAGE	OUTPUT	DIMMING	TRIM FINISH	APERTURE LENS
9 = 90CRI+ 27 =2700K 30 =3000K 35 =3500K 40 =4000K AD = Ambient Dim Max 3000K-1900K	120 277 UNV = 120-277	HU = 11W, 1100lm HE = 16.3W, 1600lm Ambient Dim HE = 14.5W, 1000lm	1 = 0-10V Dimmable (UNV) 2 = No Dimming 3 = ELV/TRIAC (120v) 4 = Lutron 2 wire (120v)* 5 = Lutron 3 wire (UNV)* *Requires Remote Driver	P14 = White BLK =Black PXX = SLI Color XXXX = RAL # CST = Custom	82A = Frosted Supertex

4500-LED



4500-LED-ZH	TRIM	APERTURE	DRIVER	BEAMSPREAD	TRIM FINISH	APERTURE LENS
8 = 80CRI+ 27 =2700K 9 = 97CRI 30 =3000K 35 =3500K 40 =4000K	FT = Flanged Trim PT = Panel Trim ZT = Zero Trim	FA = Flood GA = Glass	123 = 120-277v, 14W 1100 Lumens 125 = 120-277v, 20W 1650 Lumens *ADD 2W FOR 2 WIRE DIMMING	15 = 15 Degrees 24 = 24 Degrees 38 = 38 Degrees	CAA = Clear (FA) GAA = Gold (FA) P14 = White BLK = Black PXX = SLI Color CST = Custom	Blank = None 79A = Veiling Acrylic 91A = Solite 93A = Frosted