

Single lamp, solid state light engine, surface mounted downlight / wallwash with nominal 6" or 4" aperture. Used for lighting in medium to high ceiling heights typically found in residential, commercial and retail applications

SPECIFICATIONS

HOUSING

- Heavy wall extruded aluminum tube with machined ceiling collar

MOUNTING

- Surface mounted or Pendant Mounted

ELECTRICAL

- Integral dimmable electronic driver with internal short circuit protection
- 120v-277v primary, standard with 0-10v dimmers
- Lutron and other dimming options available, consult factory

LAMP

- LED supplied with fixture

SOCKET

- Removable lamp cassette simplifies installation and permits easy access for maintenance
- Ulsocket™ allows field replacement of light engine

LENS

- Interchangeable reflector provides multiple beam patterns (4018 only)
- Custom semi-specular anodized aluminum reflector with supertex borosilicate spread lens (1218 only)

FINISH

- Housing available in black and white as standard
- Additional colors and RAL palette available
- Consult factory for custom finishes

LABELS

- CSA-C,US

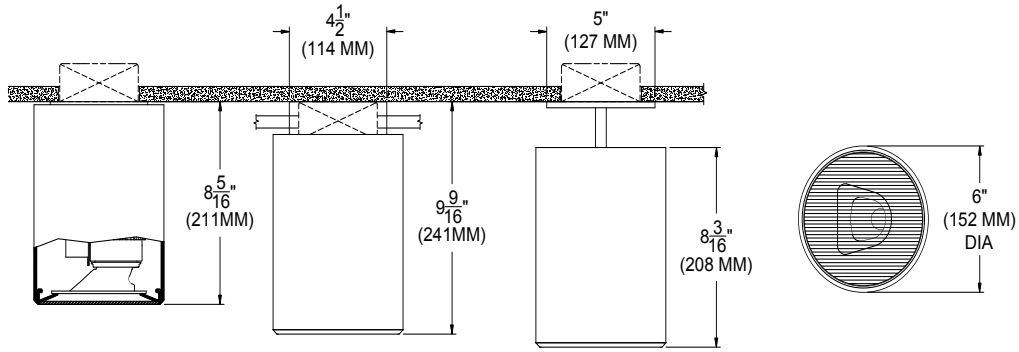


1218

4018-4

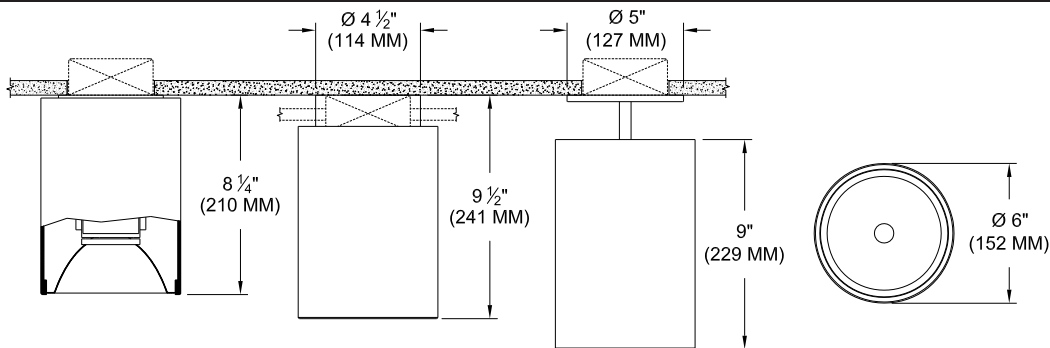


■ 1218 SH



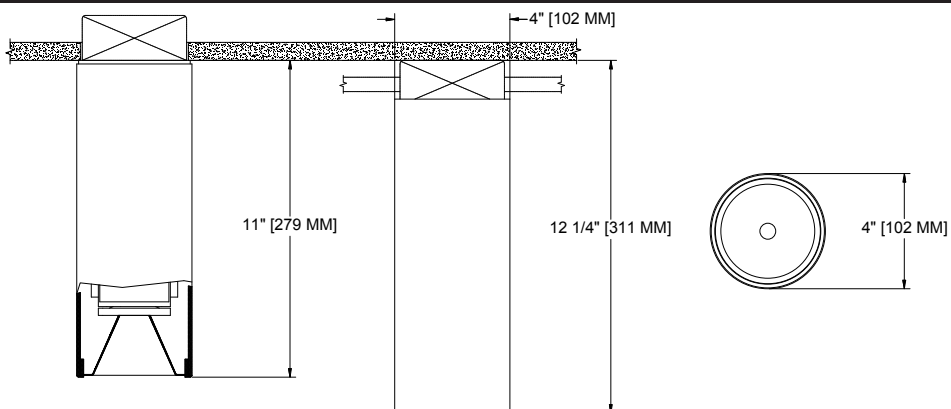
HOUSING	DRIVER	TRIM FINISH	APERTURE LENS	ACCESSORIES
1218-LED-SH				
Surface Mounted Housing 8 = 80CRI 27 = 2700K 9 = 90+CRI 30 = 3000K 35 = 3500K 40 = 4000K	125 = 120v-277v HE 127 = 120v-277v HO	WHT = White BLK = Black PXX = SLI Color XXXX = RAL # CST = Custom	92A = Supertex	JB = Junction Box Cover Shroud PM =Pendant Mounted

■ 4018-6 SH



HOUSING	DRIVER	BEAMSPREAD	TRIM FINISH	APERTURE LENS	ACCESSORIES
4018-6-LED-SH					
Surface Housing 8 = 80CRI 27 = 2700K 9 = 90+CRI 30 = 3000K 35 = 3500K 40 = 4000K	125 = 120v-277v HE 127 = 120v-277v HO	40 = 20 Degrees 60 = 60 Degrees 80 = 80 Degrees	WHT = White BLK = Black PXX = SLI Color XXXX = RAL # CST = Custom	Blank = None 79A = Veiling Acrylic 91A = Solite	JB = Junction Box Cover Shroud PM =Pendant Mounted

■ 4018-4 SH



HOUSING	DRIVER	BEAMSPREAD	TRIM FINISH	APERTURE LENS	ACCESSORIES
4018-4-LED-SH					
Surface Housing 8 = 80CRI 27 = 2700K 9 = 90+CRI 30 = 3000K 35 = 3500K 40 = 4000K	125 = 120v-277v HE 127 = 120v-277v HO	20 = 20 Degrees 40 = 40 Degrees	WHT = White BLK = Black PXX = SLI Color XXXX = RAL # CST = Custom	Blank = None 79A = Veiling Acrylic 91A = Solite	JB = Junction Box Cover Shroud PM =Pendant Mounted