

# ROUND APERTURE RETRACTABLE ACCENT LIGHT

■ 2505 LED

Single lamp, solid state light engine, recessed 2" aperture down light and accent light. Flood aperture with low brightness parabolic reflector. Retractable for different field conditions.

## SPECIFICATIONS

### HOUSING

- Precision die-formed heavy gauge aluminum with machined adjustable ceiling collar

### MOUNTING

- Recessed in sheetrock ceiling

### ELECTRICAL

- Integral electronic driver
- 120v-277v primary, standard with 0-10v dimmers
- Other dimming options available, consult factory

### LAMP

- LED supplied with fixture

### SOCKET

- Precision CNC machined lampholder assembly
- Ulsocket™ allows field replacement of light engine

### LENS

- Interchangeable reflector provides multiple beam patterns
- Optional borosilicate lenses available for aperture

### TRIM

- Spun anodized aluminum reflector cone

### FINISH

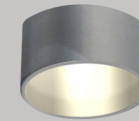
- Aperture trim in clear and gold alzak, black or white
- Additional colors and RAL palette available
- Consult factory for custom finishes

### LABELS

- CSA-C,US, Damp location



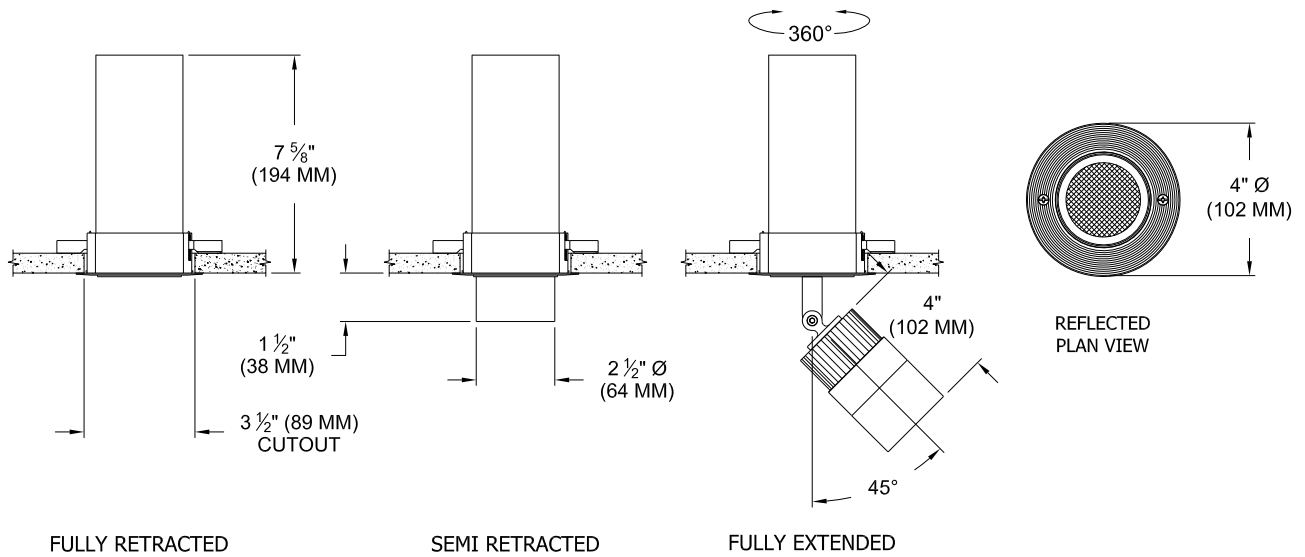
Full-recessed



Semi-recessed



Full extension



## ORDERING INFORMATION

HOUSING	TRIM	APERTURE	DRIVER	BEAMSPREAD	TRIM FINISH	APERTURE LENS
<b>2505-LED-PH</b>						
Plaster Housing 8 =80CRI 27 = 2700K 9 =97CRI 30 = 3000K 35 = 3500K 40 = 4000K	ZT= Zero Trim	FA = Flood	123 = 120v-277v HU, 14W, 1100 lm 125 = 120v-277v HE, 20w, 1650lm <small>*Add 2W for 2 wire dimming</small>	15 = 15 Degrees 24 = 24 Degrees 38 = 38 Degrees	CAA = Clear GAA = Gold P14 = White BLK = Black PXX = SLI Color CST = Custom	Blank = None 79A = Veiling Acrylic 91A = Solite