

Single lamp, solid state light engine recessed floor washer with nominal 3" x 4" aperture. Used for low level lighting of steps and paths and wayfinding in residential, institutional, commercial and theater applications. May be used indoors or out.

## SPECIFICATIONS

**HOUSING**

- Aluminum trim. Precision die formed back box with integral screed edge for sheetrock or flange for use in all other materials.

**MOUNTING**

- Recessed in architectural wall

**ELECTRICAL**

- Backbox with integral junction box suitable for through wiring
- Triac dimming available

**LAMP**

- 2W or 4W LED 3000K supplied with fixture

**SOCKET**

- Sealed and potted integral to trim

**LENS**

- Satin acrylic lens. Optional color lenses available

**TRIM**

- Flangeless or flanged die-cast aluminum snap-in trapezoidal louvered aperture

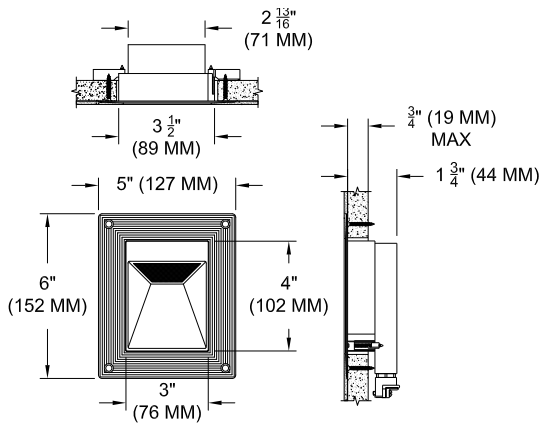
**FINISH**

- Aperture trim available in black, white or aluminum as standard
- Additional colors and RAL palette available
- Consult factory for custom finishes

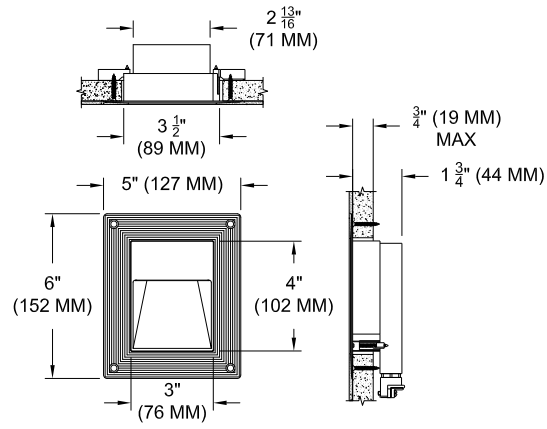
**LABELS**

- CSA-C,US, Wet location



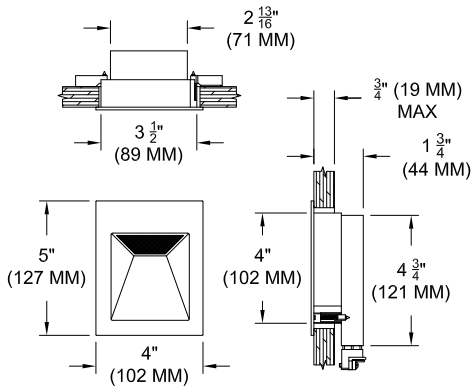


2101 Plaster Housing

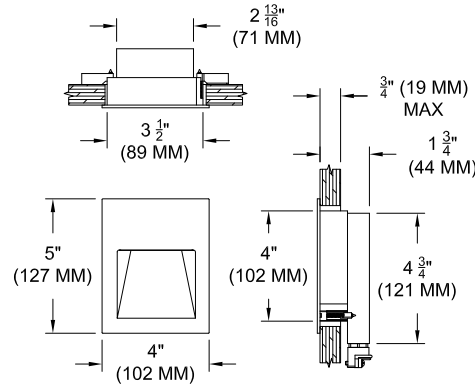


2102 Plaster Housing

2101 / 2102 FH

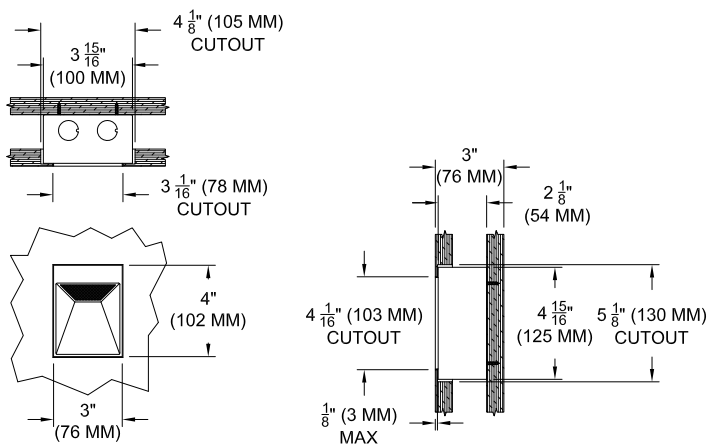


2101 Flanged Housing

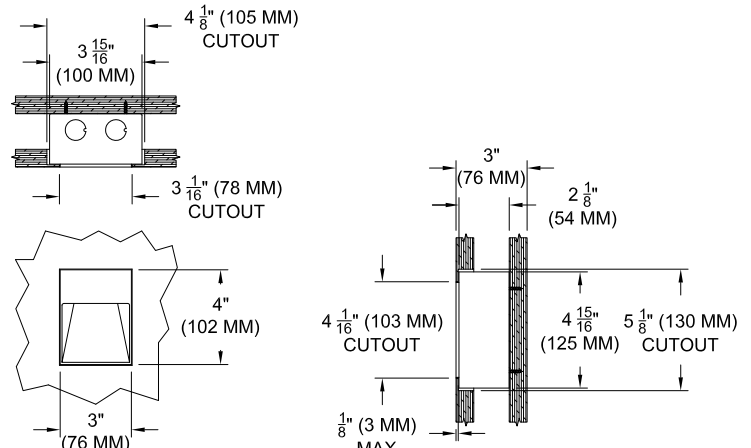


2102 Flanged Housing

2101 / 2102 WH



2101 Wood Housing



2102 Wood Housing

ORDERING INFORMATION

21__-LED __	HOUSING	VOLTAGE	FINISH	APERTURE LENS
<b>In wall Floor Washer</b>				
01	2W = 2W 4W = 4W	30=3000K	FH = Flanged Housing PH = Plaster Housing CH = Concrete Housing*	79A= Veiling Acrylic
02	2W = 2W 4W = 4W	30=3000K	WH = Wood Housing* *Consult factory for submittal	P14 = White BLK=Black PXX = SLI Color XXXX = RAL # CST = Custom



Patent Pending.  
These specifications subject to change without notice.

[www.specialtylightingindustries.com](http://www.specialtylightingindustries.com)  
1306 Doris Avenue, Ocean, NJ 07712 USA  
800.462.7812 732.517.0800 FAX:732.517.0971