

Multi-lamp, low voltage halogen, recessed linear wall washer with nominal 5" (125mm) wide aperture, adjustable socket plate, flangeless trim and borosilicate supertex spread lens.

TYPE: _____

JOB: _____

SPECIFIER: _____

SPECIFICATIONS

HOUSING - Extruded aluminum with end plates

MOUNTING - Recessed in millwork ceiling

ELECTRICAL - Fixture comes with terminal block for connection to remote transformer. Transformer should be sized for the run length and ordered separately

LAMP - ALR-12 (GBD) 20w, MR-16 spot, 37w max. supplied by others. Maximum 74w/linear foot

LABELS - UL, C-UL, Damp location

SOCKET - Precision die-formed aluminum socket plate.

G4/G6 ceramic socket or nickel plated steel double contact bayonet base with stainless steel spring for optimum contact. High temperature lead wires

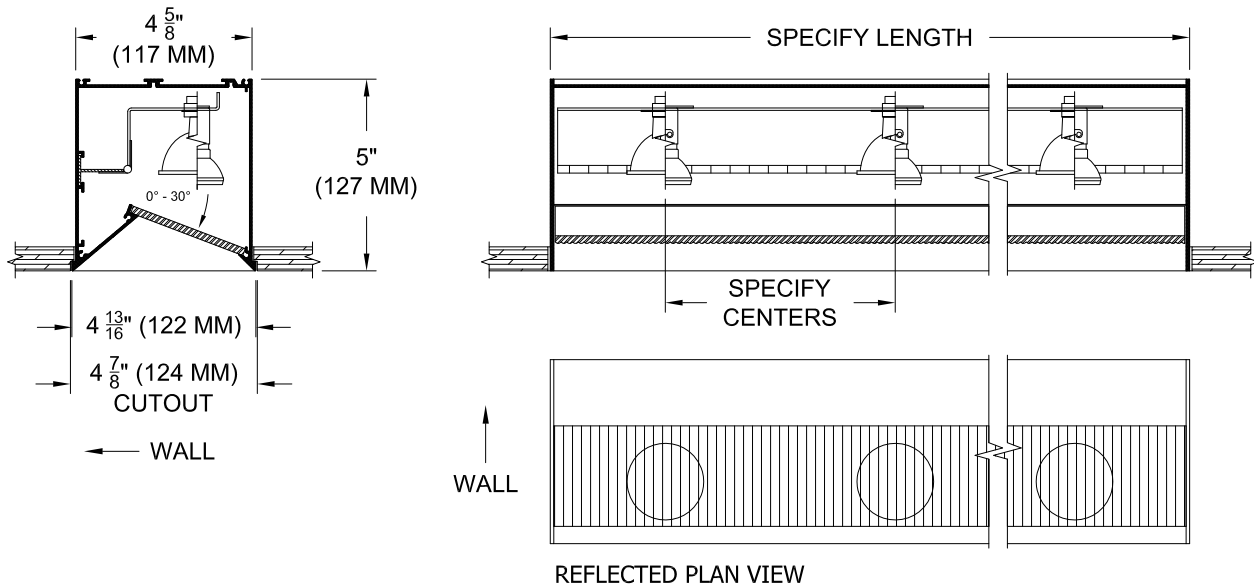
LENS - Supertex borosilicate glass. Others available consult factory

TRIM - Regress trim integral to housing

FINISH - Powder paint on all surfaces in black and white as standard. Additional colors and RAL palette available. Consult factory for custom finishes

APPLICATIONS

Small profile wall washer used in ceiling heights up to 16 feet (5m) to smoothly wash vertical surfaces and minimize surface texture



ORDERING INFORMATION

HOUSING	LENGTH	LAMP SPACING	TRANSFORMER	TRIM FINISH	APERTURE LENS
815-__-WH					
Wood Housing ALR = ALR12 Lamp MR = MR16 Lamp	Specify exact length	4 = 4" (100mm) 6 = 6" (150mm) 8 = 8" (200mm) or custom spacing	RX = Remote	WHT = White BLK = Black PXX = SLI Color XXXX = RAL # CST = Custom	82A = Frosted Supertex 92A = Supertex

This information is provided as a specification aid. A submittal will be prepared by the manufacturer for approval prior to fabricating this product.



SPECIALTY LIGHTING INDUSTRIES, INC.

NOTE: These specifications subject to change without notice.

www.specialtylightingindustries.com

1306 DORIS AVENUE, OCEAN, NJ 07712 USA 800.462.7812 732.517.0800 FAX 732.517.0971 © 07/11