

Multi-lamp, solid state light engine, deep baffle linear wall grazer with flanged housing, nominal 2" (51mm) wide aperture parabolic baffle and aperture lens. Narrow profile wall grazing downlight used in wall heights up to 12 feet (3.5m) to highlight the texture in surfaces such as stucco or brick, illuminate flat surfaces such as venetian plaster, wood, or specular surfaces such as polished stone or stainless steel.

SPECIFICATIONS

HOUSING

- Extruded aluminum housing with integral flange
- ≈ Airtight construction suitable for direct contact with insulation

MOUNTING

- Recessed in architectural ceiling

ELECTRICAL

- Integral dimmable electronic driver with internal short circuit protection

LAMP

- 2 watt LED 2" (50mm) o.c. supplied with fixture

SOCKET

- Circuit board mounted to extruded aluminum heatsink
- Inline connectors allow removal and replacement

LENS

- Acrylic diffusing lens. Others available consult factory



TRIM

- Flanged parabolic louver baffle
- ST is flanged trim fully sealed and gasketed. Aperture lens required

FINISH

- Housing and louver available in various finishes
- Additional standard colors, RAL palette, custom finishes available

LABELS

-  , US tested to UL standards 1598, Damp location, Wet with ST trim, IC/Airtight, Chicago Plenum,  JA8 Approved

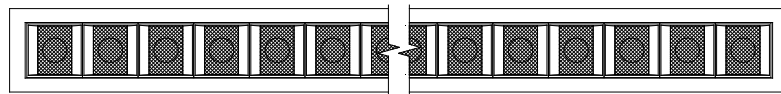
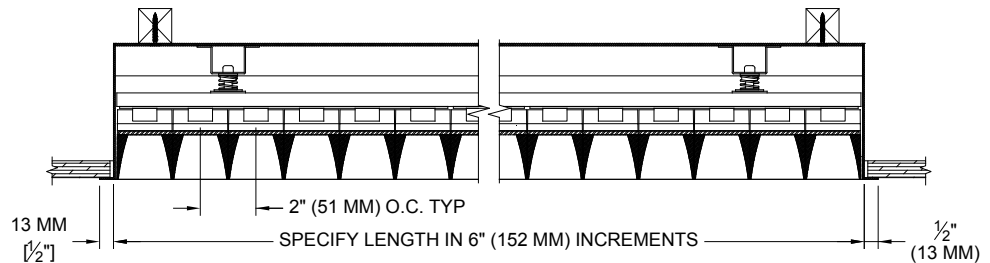
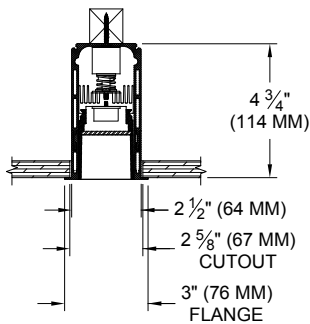
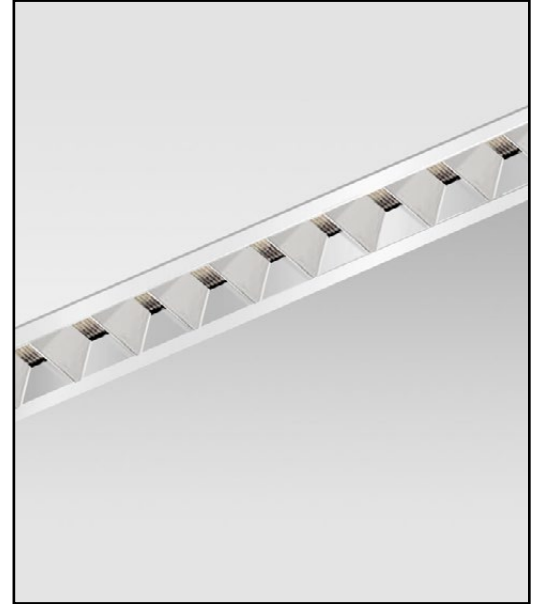
JOB: _____

SPECIFIER: _____

TYPE: _____

QUANTITY: _____

SIGNATURE: _____



REFLECTED PLAN VIEW

ORDERING INFORMATION

811DB-LED-AFH	LENGTH	SOURCE / DRIVER	HOUSING / LOUVER	APERTURE LENS	ACCESSORIES
		/	/		
Airtight Flanged Housing 8 = 80 CRI • 27 = 2700K • 9 = 90+CRI • 30 = 3000K • 35 = 3500K • 40 = 4000K	Specify exact length in increments of 6" (150 mm) Minimum 2' for integral driver	* UN3 = 120v-277v, 0-10v Dim. 9W/ft 600lm/ft (nom.) * UN5 = 120v-277v, 0-10v Dim. 12W/ft 700lm/ft (nom.) *Add L2 , LTB for Lutron 2 wire, Lutron Fade-to-Black L2 = 120v, Lutron Hi-lume 1% 2-wr LED driver 9W/ft 1100lm/ft (nom.) LTB = 120-277v, Fade-to-Black Lutron Hi-lume 1% digital EcoSystem driver 12W/ft 700lm/ft (nom.)	WHT = White BLK = Black PA = Clear Aluminum PXX = SLI Color CST = Custom	79A = Veiling Acrylic 82A = Frosted Supertex	ST = Shower Trim* LC = Lens Clip *Aperture lens required

• California Title 24- JA8 Approved



Patent Pending.
 These specifications subject to change without notice.

www.specialtylightingindustries.com
 1306 Doris Avenue, Ocean, NJ 07712 USA
 800.462.7812 732.517.0800 FAX: 732.517.0971