

Multi-lamp, solid state light engine, recessed linear wall grazer with flanged housing, nominal 4" (100mm) wide aperture, parabolic baffle and regressed acrylic lens. Medium aperture wall grazer used in ceiling heights up to 30' (10M) to highlight the texture in surfaces such as stucco or brick, illuminate flat surfaces such as venetian plaster, fabric or wood, or specular surfaces such as polished stone or stainless steel.

SPECIFICATIONS

HOUSING

- Precision die-formed heavy gauge aluminum with welded end plates and flange

MOUNTING

- Recessed in architectural ceiling

ELECTRICAL

- Integral multi-LED driver
- 120-277v current at 50hz or 60hz
- Compatible with 0-10V dimming, phase dimming of Lutron

LAMP

- Xicato LED supplied with fixture

LENS

- Veiling acrylic lens or frosted Supertex


TRIM

- Extruded aluminum side rails with extruded aluminum parabolic baffles

FINISH

- Aperture trim available in black and white as standard
- Additional standard colors, RAL palette, custom finishes available

LABELS

-  US, US tested to UL standards 1598, Damp location

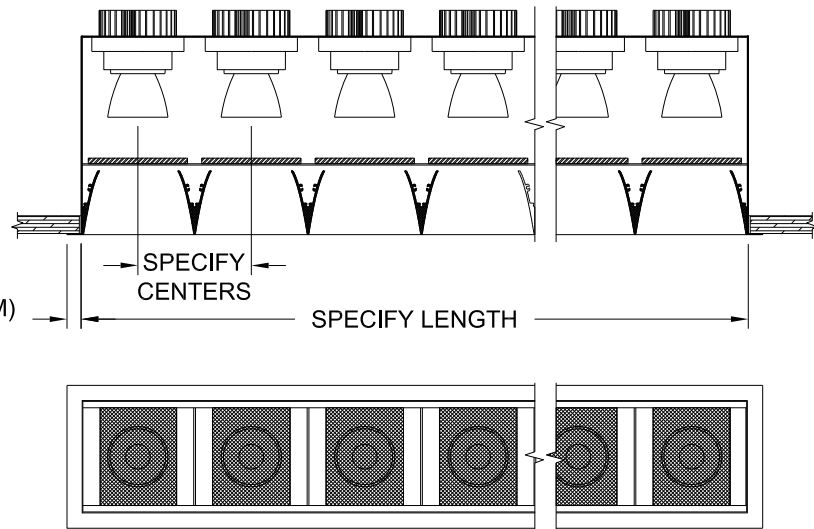
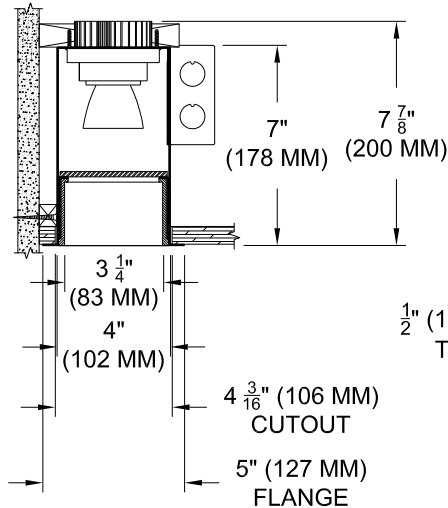
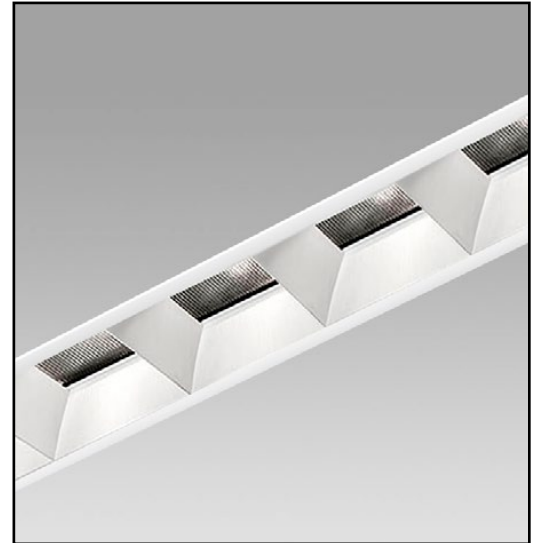
JOB: _____

SPECIFIER: _____

TYPE: _____

QUANTITY: _____

SIGNATURE: _____



REFLECTED PLAN VIEW

ORDERING INFORMATION

811-LEDX-FH	LENGTH	LAMP SPACING	SOURCE / DRIVER*	HOUSING / LOUVER	APERTURE LENS
			/	/	
Flanged Housing 8 = 80 CRI 9 = 98 CRI 27 = 2700K 30 = 3000K 35 = 3500K 40 = 4000K	Specify exact length* *Minimum Lamp Spacing 4" O.C.	4 = 4" 6 = 6" or custom spacing	XT8 = 120v-277v, 8W 800lm XT12 = 120v-277v, 12W 1055lm XT17 = 120v-277v, 17W 1400lm XT26** = 120v-277v, 26W 2000lm C1 = 0-10V dimming, 1%, 120-277v C2 = TRIAC/ELV 2-wire, 1% 120v (Lead/Trail Edge) E1 = EldoLED 0-10V Logarithmic Dim, 0.1%, 120-277v E2 = EldoLED DALI, 0.1%, 120-277v E3 = EldoLED 0-10V Linear Dim, 0.1%, 120-277v L2 = Ltrn Hi-lume 1% 2-wr LED driver (120v fwd phase) LTB = Lutron Hi-lume 1% EcoSys LED driver, 1%, 120-277v, Soft-on, Fade-to-Black	WHT = White BLK = Black PA = Clear Aluminum PXX = SLI Color CST = Custom	79A = Veiling Acrylic 82A = Frosted Supertex

*Remote mount may be required
**Contact Factory to request separate cutsheet



Patent Pending.
These specifications subject to change without notice.

www.specialtylightingindustries.com
1306 Doris Avenue, Ocean, NJ 07712 USA
800.462.7812 732.517.0800 FAX: 732.517.0971