

Multi-lamp, solid state light engine, recessed linear wall grazer with nominal 2" (50mm) wide aperture parabolic baffle and regressed acrylic lens. Narrow profile wall grazing upright used in wall heights up to 10 feet (3m) to highlight the texture in surfaces such as stucco or brick, illuminate flat surfaces such as fabric or wood, or specular surfaces such as polished stone or stainless steel.

SPECIFICATIONS

HOUSING

- Extruded aluminum housing with bolt on end plates

MOUNTING

- Recessed in floor

ELECTRICAL

- Integral dimmable electronic driver with internal short circuit protection.
- 120v-277v primary, compatible with 0-10v dimmers.
- Also available for 120v phase control. Consult factory for other drivers.

LAMP

- 2 watt LED 2" o.c. supplied with fixture

SOCKET

- Circuit board mounted to extruded aluminum heatsink
- Inline connectors allow removal and replacement

LENS

- Pyrex walkover lens for residential or commercial applications
- Acrylic diffusing lens


TRIM

- Parabolic louver baffle

FINISH

- Housing available in white as standard
- Louver available in black or white as standard
- Additional standard colors, RAL palette, custom finishes available

LABELS

-  US, US tested to UL standards 1598, Damp location, Wet with ST trim

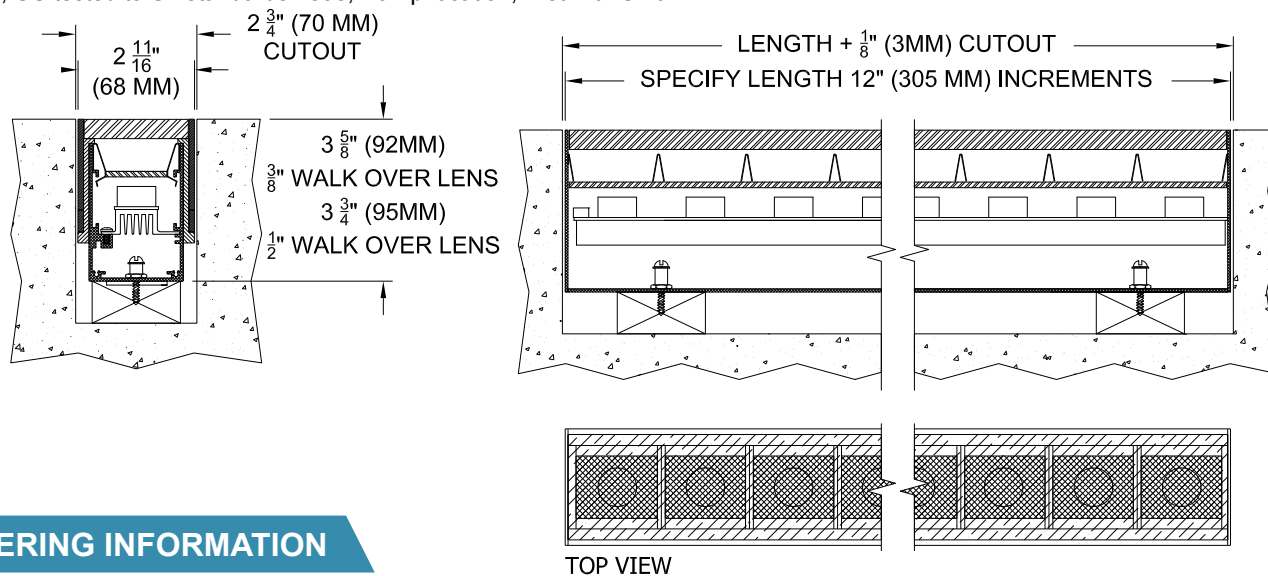
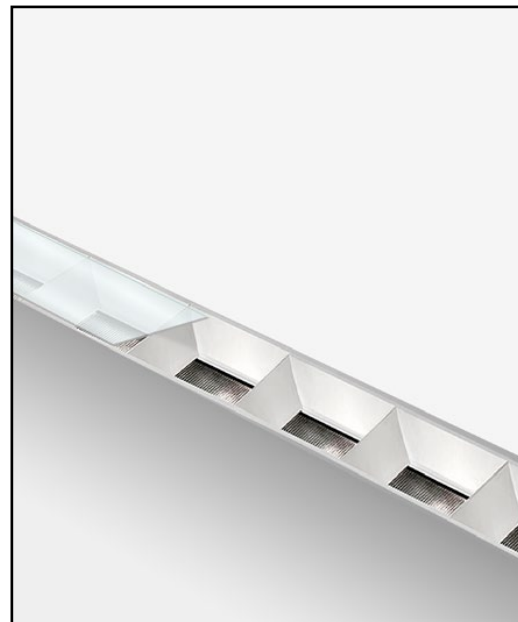
JOB: _____

SPECIFIER: _____

TYPE: _____

QUANTITY: _____

SIGNATURE: _____



ORDERING INFORMATION

811-LEDP-IH	LENGTH	DRIVER	FLANGE FINISH	LOUVER FINISH	WALKOVER LENS
In-Ground Housing 827 = 2700K 80CRI 830 = 3000K 80CRI 835 = 3500K 80CRI	Specify exact length in increments of 12" (305 mm)	123 = 120v HE 273 = 277v HO 125 = 120v HO 275 = 277v HE	P14 = White BLK=Black PXX = SLI Color XXXX = RAL Color CST = Custom	P14 = White BLK=Black PA = Clear Aluminum PXX = SLI Color CST = Custom	CP84 = Res Clear CP87 = Comm Clear SP84 = Res Frosted SP87 = Comm Frosted