

Multi-lamp, solid state light engine, recessed linear wall grazer with flanged housing, nominal 1.5" (38mm) wide aperture and regressed acrylic lens. Narrow profile wall grazer used in ceiling heights up to 10 feet (3m) to highlight the texture in surfaces such as stucco or brick, illuminate flat surfaces such as venetian plaster, fabric or wood, or specular surfaces such as polished stone or stainless steel.

JOB: _____

SPECIFIER: _____

TYPE: _____

QUANTITY: _____

SIGNATURE: _____

SPECIFICATIONS

HOUSING

- Extruded aluminum housing with integral frame
- Airtight construction suitable for direct contact with insulation

MOUNTING

- Recessed in architectural ceiling

ELECTRICAL

- Integral dimmable electronic driver with internal short circuit protection.
- 120v-277v primary, compatible with 0-10v dimmers.
- Also available for 120v phase control. Consult factory for other drivers.

LAMP

- 2 watt LED 2" o.c. supplied with fixture

SOCKET

- Circuit board mounted to extruded aluminum heatsink
- Inline connectors allow removal and replacement

LENS

- Acrylic diffusing lens. Others available consult factory


TRIM

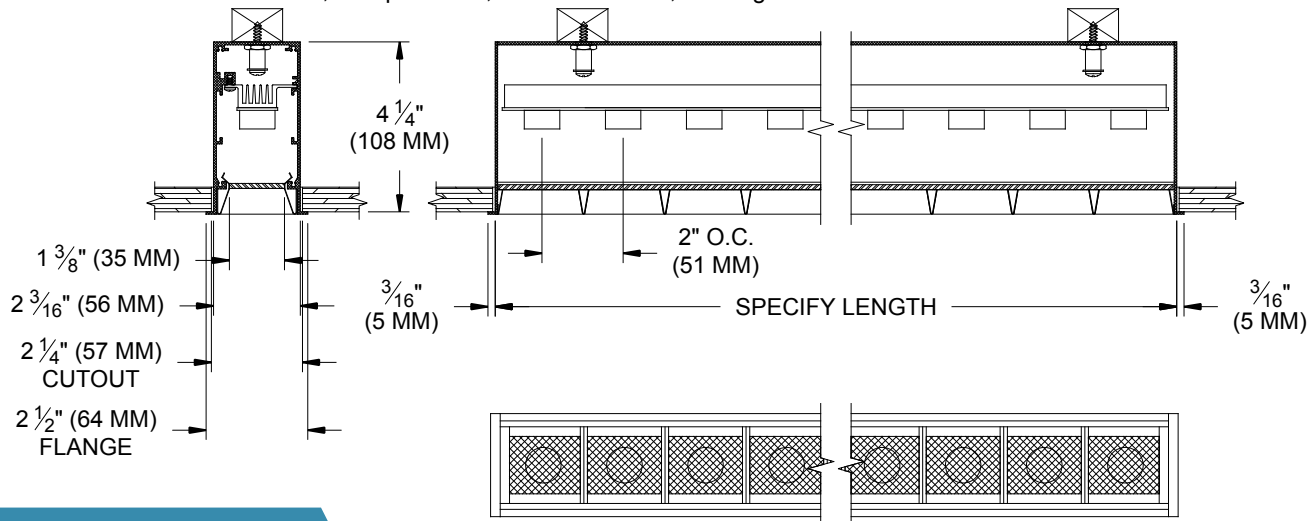
- Overlap flange integral to housing

FINISH

- Housing available in white as standard
- Louver available in black or white as standard
- Additional standard colors, RAL palette, custom finishes available

LABELS

-  US, US tested to UL standards 1598, Damp location, Wet with ST trim, IC/Airtight



ORDERING INFORMATION

811-LEDP-AFH	LENGTH	DRIVER	HOUSING / LOUVER	APERTURE LENS
Airtight Flange Housing 827 = 2700K 80CRI 830 = 3000K 80CRI 835 = 3500K 80CRI	Specify exact length in increments of 6" (150 mm) Minimum 24" for integral driver	UN3 = 120v-277v HE 0-10v Dim. UN5 = 120v-277v HO 0-10v Dim. 123LT2 = 120v HE Lutron 2 wire 125LT2 = 120v HO Lutron 2 wire 123LT3 = 120-277v Lutron 3 wire 125LT3 = 120-277v Lutron 3 wire	P14 = White BLK=Black PA=Clear Aluminum PXX = SLI Color CST = Custom	79A = Veiling Acrylic 82A = Frosted Supertex



Patent Pending.
These specifications subject to change without notice.

www.specialtylightingindustries.com
1306 Doris Avenue, Ocean, NJ 07712 USA
800.462.7812 732.517.0800 FAX:732.517.0971