

Multi-lamp, solid state light engine, recessed linear wall grazer with flangless housing, nominal 2" (51mm) wide aperture and regressed acrylic lens. Narrow profile wall grazer used in low ceiling heights to highlight the texture in surfaces such as stucco or brick, illuminate flat surfaces such as venetian plaster, fabric or wood, or specular surfaces such as polished stone or stainless steel.

**SPECIFICATIONS**

**HOUSING**

- Extruded aluminum housing with integral flange
- ≈ Airtight construction suitable for direct contact with insulation

**MOUNTING**

- Recessed in architectural ceiling

**ELECTRICAL**

- Integral dimmable electronic driver with internal short circuit protection
- 120v-277v primary, compatible with 0-10v dimmers
- Also available for 120v phase control

**LAMP**

- 2 watt LED 2"(50mm) o.c. supplied with fixture

**SOCKET**

- Circuit board mounted to extruded aluminum heatsink
- Inline connectors allow removal and replacement

**LENS**

- Acrylic diffusing lens. Others available consult factory


**TRIM**

- Overlap flange integral to housing

**FINISH**

- Powder paint on all surfaces in black and white as standard
- Additional colors and RAL palette available
- Custom finishes available

**LABELS**

-  US, US tested to UL standards 1598, Damp location, Wet with ST trim, IC/Airtight

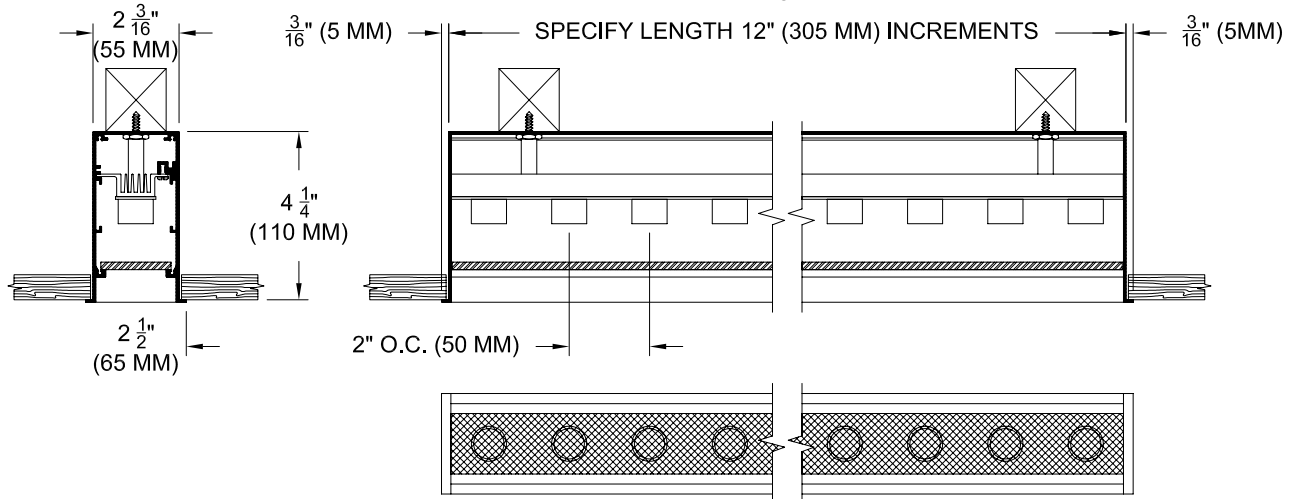
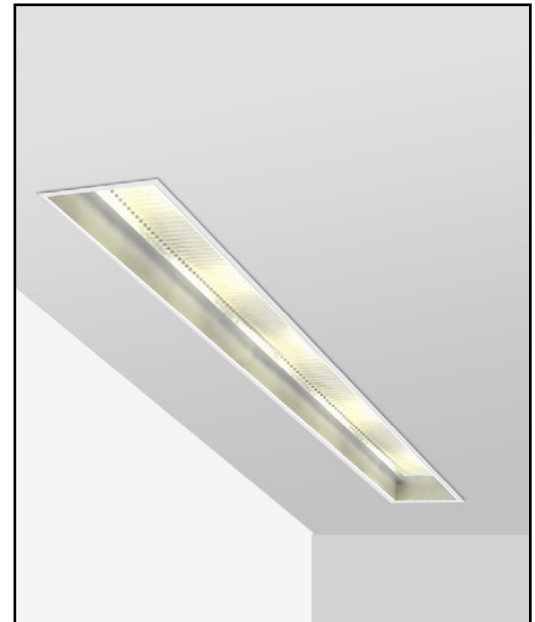
**JOB:** \_\_\_\_\_

**SPECIFIER:** \_\_\_\_\_

**TYPE:** \_\_\_\_\_

**QUANTITY:** \_\_\_\_\_

**SIGNATURE:** \_\_\_\_\_



**ORDERING INFORMATION**

REFLECTED PLAN VIEW

805-LEDP-AFH	LENGTH	DRIVER	FINISH	APERTURE LENS	ACCESSORIES
Airtight Flanged Housing 827 = 2700K 80CRI 830 = 3000K 80CRI 835 = 3500K 80CRI	Specify exact length in increments of 12" (300 mm) Min. 2' required for integral driver	UN3 = 120v-277v HE 0-10v Dim. UN5 = 120v-277v HO 0-10v Dim. 123LT2 = 120v HE Lutron 2 wire 125LT2 = 120v HO Lutron 2 wire 123LT3 = 120-277v Lutron 3 wire 125LT3 = 120-277v Lutron 3 wire	P14 = White BLK=Black PXX = SLI Color XXXX = RAL # CST = Custom	79A = Veiling Acrylic 91A = Solite	ST = Shower Trim LC = Lens Clip



Patent Pending.  
These specifications subject to change without notice.

[www.specialtylightingindustries.com](http://www.specialtylightingindustries.com)  
1306 Doris Avenue, Ocean, NJ 07712 USA  
800.462.7812 732.517.0800 FAX:732.517.0971