

Multi-lamp, low-voltage halogen, recessed linear wall grazer with flangeless housing, nominal 3" wide aperture and borosilicate supertex spread lens.

TYPE: \_\_\_\_\_

JOB: \_\_\_\_\_

SPECIFIER: \_\_\_\_\_

**SPECIFICATIONS**

**HOUSING** - Extruded aluminum with ultrim plaster frame.

**MOUNTING** - Recessed in sheetrock ceiling.

**ELECTRICAL** - Fixture comes with 10' whip of 10 Ga. wire for connection to remote transformer. Transformer should be sized for the run length and ordered separately.

**LAMP** - ALR-12, MR-16, 37w max. supplied by others.

**LABELS** - UL, C-UL, Damp location

**SOCKET** - Precision die-formed aluminum socket plate. G4/ G6 ceramic socket or nickel plated steel double contact bayonet base with stainless steel spring for optimum contact. High temperature lead wires.

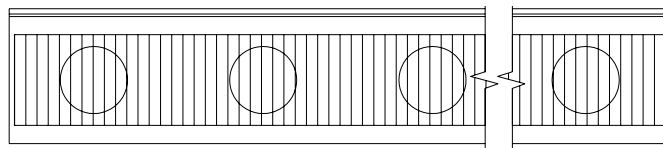
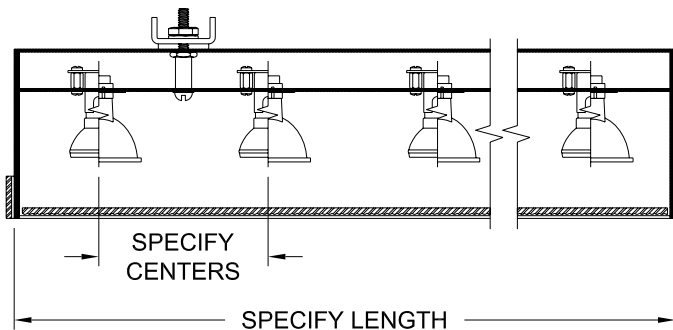
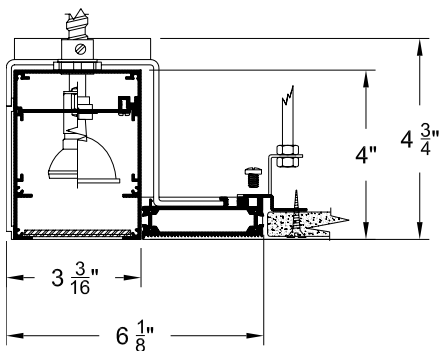
**LENS** - Supertex borosilicate glass. Others available consult factory

**TRIM** - Lens frame integral to housing.

**FINISH** - Powder paint on all surfaces in black and white as standard. 14 additional colors and RAL palette available. Consult factory for custom finishes.

**APPLICATIONS**

Small aperture wall grazer used to highlight the texture in surfaces such as stucco or brick or illuminate flat surfaces such as stone or metal. May also be used for continuous linear downlighting.



REFLECTED PLAN VIEW

**ORDERING INFORMATION**

HOUSING	LAMP SPACING	LENGTH	FINISH	APERTURE LENS
<b>802-__-PH-RX</b>				
Flangeless housing MR = MR 16 lamp ALR = ALR 12 lamp	4 = 4" 6 = 6" or custom spacing	Specify exact length	WHT = White BLK = Black PXX = SLI Color XXXX = RAL # CST = Custom	82 = Frosted Supertex 91 = Solite 92 = Supertex 93 = Frosted 95 = Full Prismatic

This information is provided as a specification aid. A submittal will be prepared by the manufacturer for approval prior to fabricating this product.



**SPECIALTY LIGHTING INDUSTRIES, INC.**

NOTE: These specifications subject to change without notice.

[www.specialtylightingindustries.com](http://www.specialtylightingindustries.com)

1306 DORIS AVENUE, OCEAN, NJ 07712 USA 800.462.7812 732.517.0800 FAX 732.517.0971 © 12/07