

Multi-lamp, solid state light engine, recessed linear wall grazing uplight with flangeless housing, nominal 2 1/2" (64mm) wide aperture internal veiling lens and pyrex walkover lens. Narrow profile wall grazing uplight used for low height walls to highlight the texture in surfaces such as stucco or brick, illuminate flat surfaces such as venetian plaster, fabric or wood, or specular surfaces such as polished stone or stainless steel.

JOB: _____
SPECIFIER: _____
TYPE: _____
QUANTITY: _____
SIGNATURE: _____

SPECIFICATIONS

HOUSING

- Extruded aluminum housing and lens frame with bolt on end plates

MOUNTING

- Recessed in floor

ELECTRICAL

- Integral dimmable electronic driver with internal short circuit protection.
- 120v-277v primary, compatible with 0-10v dimmers.
- Also available for 120v phase control. Consult factory for other drivers.

LAMP

- 2 watt LED 2" o.c. supplied with fixture

SOCKET

- Circuit board mounted to extruded aluminum heatsink
- Inline connectors allow removal and replacement

LENS

- Pyrex walkover lens for residential or commercial applications. Acrylic diffusing lens

TRIM

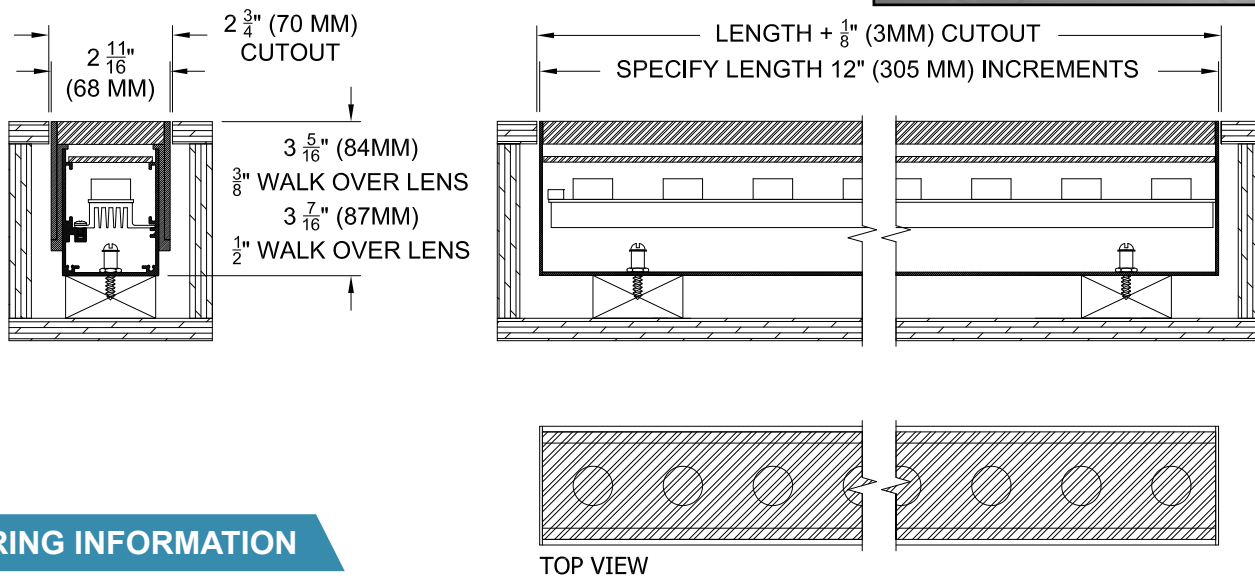
- Flangeless glass walkover lens held within minimal frame

FINISH

- Housing available in white as standard
- Additional standard colors, RAL palette, custom finishes available

LABELS

-  , US tested to UL standards 1598, Damp location



ORDERING INFORMATION

801-LEDP-IH	LENGTH	DRIVER	FINISH	APERTURE LENS	WALKOVER LENS
In-Ground Housing 827 = 2700K 80CRI 830 = 3000K 80CRI 835 = 3500K 80CRI	Specify exact length in increments of 12" (300 mm) Min. 2' required for integral driver	UN3 = 120v-277v HE 0-10v Dim. UN5 = 120v-277v HO 0-10v Dim. 123LT2 = 120v HE Lutron 2 wire 125LT2 = 120v HO Lutron 2 wire 123LT3 = 120-277v Lutron 3 wire 125LT3 = 120-277v Lutron 3 wire	P14 = White BLK =Black PXX = SLI Color XXXX = RAL # CST = Custom	79A = Veiling Acrylic 91A = Solite	CP84 = Res Clear CP87 = Comm Clear SP84 = Res Frosted SP87 = Comm Frosted



Patent Pending.
 These specifications subject to change without notice.

www.specialtylightingindustries.com
 1306 Doris Avenue, Ocean, NJ 07712 USA
 800.462.7812 732.517.0800 FAX:732.517.0971