

Multi-lamp, solid state light engine, recessed linear wall grazer with flanged housing, nominal 2" (51mm) wide aperture and acrylic lens. Narrow profile wall grazer used in low ceiling heights to highlight the texture in surfaces such as stucco or brick, illuminate flat surfaces such as venetian plaster, fabric or wood, or specular surfaces such as polished stone or stainless steel.

JOB: _____

SPECIFIER: _____

TYPE: _____

QUANTITY: _____

SIGNATURE: _____

SPECIFICATIONS

HOUSING

- Extruded aluminum bolt on end plates and integral minimal overlap flange
- ≈ Airtight construction suitable for direct contact with insulation

MOUNTING

- Recessed in architectural ceiling

ELECTRICAL

- Integral dimmable electronic driver with internal short circuit protection.
- 120v-277v primary, compatible with 0-10v dimmers.
- Also available for 120v phase control and Lutron. Consult factory for other drivers

LAMP

- 2 watt LED 2" o.c. supplied with fixture

SOCKET

- Circuit board mounted to extruded aluminum heatsink
- Inline connectors allow removal and replacement

LENS

- Acrylic diffusing lens. Others available consult factory


TRIM

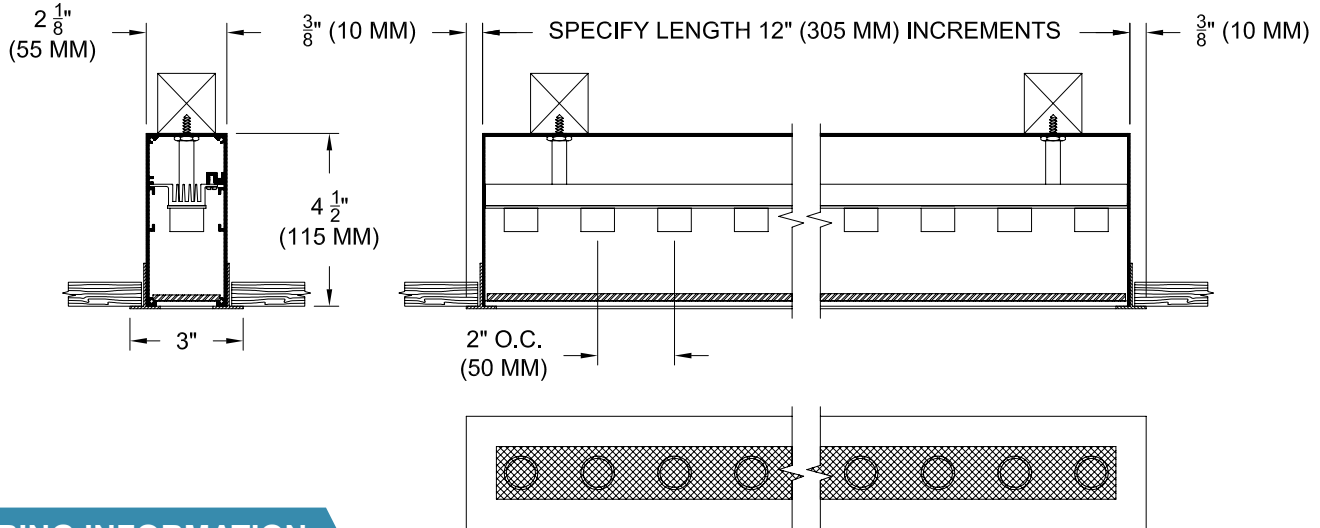
- Lens frame integral to housing

FINISH

- Powder paint on all surfaces in black and white as standard
- Additional standard colors, RAL palette, custom finishes available

LABELS

-  , US tested to UL standards 1598, Damp location, Wet with ST trim, IC/Airtight



ORDERING INFORMATION

801-LEDP-AFH	LENGTH	DRIVER	FINISH	APERTURE LENS	ACCESSORIES
Airtight Flanged Housing 827 = 2700K 80CRI 830 = 3000K 80CRI 835 = 3500K 80CRI	Specify exact length in increments of 12" (300 mm) Min. 2' required for integral driver	UN3 = 120v-277v HE 0-10v Dim. UN5 = 120v-277v HO 0-10v Dim. 123LT2 = 120v HE Lutron 2 wire 125LT2 = 120v HO Lutron 2 wire 123LT3 = 120-277v Lutron 3 wire 125LT3 = 120-277v Lutron 3 wire	P14 = White BLK=Black PXX = SLI Color XXXX = RAL # CST = Custom	79A = Veiling Acrylic 91A = Solite	ST = Shower Trim LC = Lens Clip