

Multi-lamp, solid state light engine, recessed linear wall grazer with flanged housing, nominal 2" (51mm) wide aperture and acrylic lens. Narrow profile wall grazer used in low ceiling heights to highlight the texture in surfaces such as stucco or brick, illuminate flat surfaces such as venetian plaster, fabric or wood, or specular surfaces such as polished stone or stainless steel.

JOB: _____
SPECIFIER: _____
TYPE: _____
QUANTITY: _____
SIGNATURE: _____

SPECIFICATIONS

HOUSING

- Extruded aluminum bolt on end plates and integral minimal overlap flange
- ≈ Airtight construction suitable for direct contact with insulation

MOUNTING

- Recessed in architectural ceiling

ELECTRICAL

- Integral dimmable electronic driver with internal short circuit protection.

LAMP

- 2 watt LED supplied with fixture

SOCKET

- Circuit board mounted to extruded aluminum heatsink
- Inline connectors allow removal and replacement

LENS

- Acrylic diffusing lens. Others available consult factory

TRIM

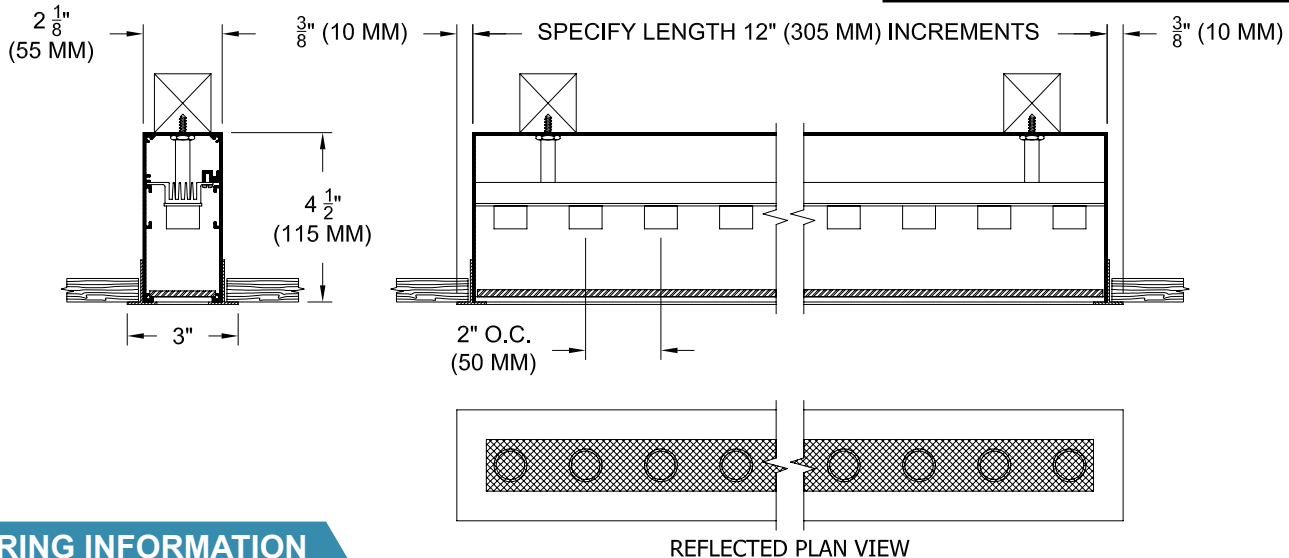
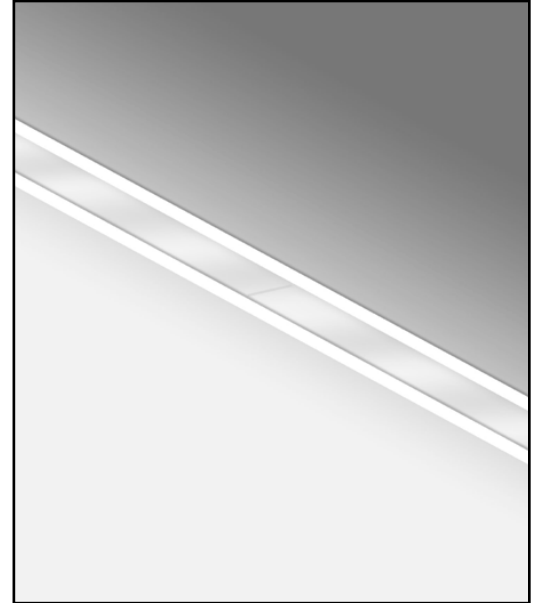
- Lens frame integral to housing
- ST is flanged trim fully sealed and gasketed. Aperture lens required

FINISH

- Powder paint on all surfaces in black and white as standard
- Additional standard colors, RAL palette, custom finishes available

LABELS

-  , US tested to UL standards 1598, Damp location, Wet with ST trim, IC/Airtight, Title 24



ORDERING INFORMATION

801-LED-AFH	LENGTH	SOURCE / DRIVER	FINISH	APERTURE LENS	ACCESSORIES
		/			
Airtight Flanged Housing 8 = 80 CRI 27 = 2700K 9 = 90+CRI 30 = 3000K 35 = 3500K	Specify exact length in increments of 12" (300 mm) Min. 2' required for integral driver	UN2** = 120v-277v, 0-10v Dim. 9W/ft 1100lm/ft (nom.) UN3 = 120v-277v, 0-10v Dim. 9W/ft 600lm/ft (nom.) UN5 = 120v-277v, 0-10v Dim. 12W/ft 700lm/ft (nom.) *Add L2, LTB for Lutron 2 wire, Lutron Fade-to-Black L2 = 120v, Lutron Hi-lume 1% 2-wr LED driver 9W/ft 1100lm/ft (nom.) LTB = 120-277v, Fade-to-Black Lutron Hi-lume 1% digital EcoSystem driver 12W/ft 700lm/ft (nom.)	WHT = White BLK=Black PXX = SLI Color XXXX = RAL # CST = Custom	79A = Veiling Acrylic 91A = Solite	ST = Shower Trim* LC = Lens Clip *Aperture lens required

**UN2 for use with 90+CRI



Patent Pending.
 These specifications subject to change without notice.

www.specialtylightingindustries.com
 1306 Doris Avenue, Ocean, NJ 07712 USA
 800.462.7812 732.517.0800 FAX:732.517.0971