

Multi-lamp, solid state light engine, linear perforated downlight cable mount, nominal 2" wide aperture with 9.5" wide housing and acrylic tubular lens.

## SPECIFICATIONS

### HOUSING

- Extruded aluminum perforated housing and lens frame with bolt on end plates

### MOUNTING

- Cable

### ELECTRICAL

- Integral dimmable electronic driver with internal short circuit protection.
- 120v-277v primary, compatible with 0-10v dimmers.
- Also available for 120v phase control. Consult factory for other drivers.
- EM Pack available

### LAMP

- LED 80/90+ CRI available. Available in 2700 thru 4000K color temperature.

### LENS

- Veiling Acrylic

### FINISH

- Standard white, others available

### LABELS

-  , US tested to UL standards 1598, Damp location

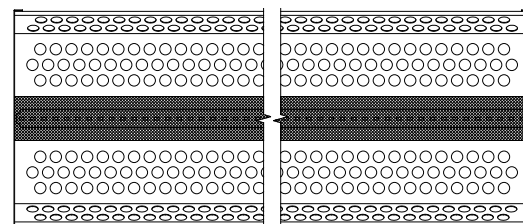
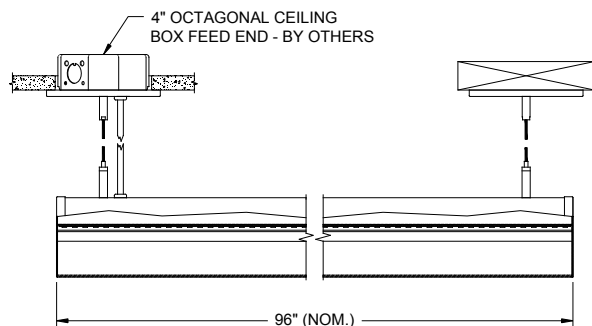
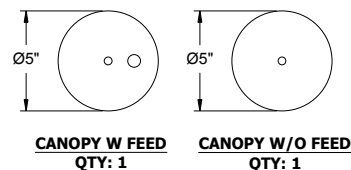
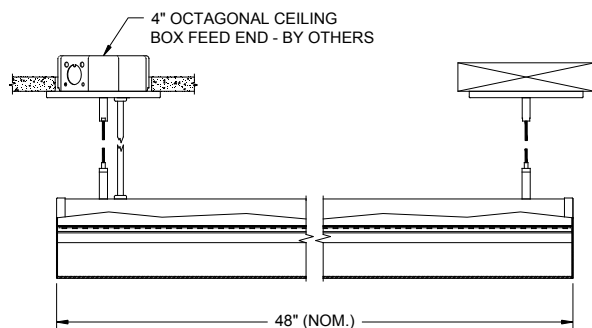
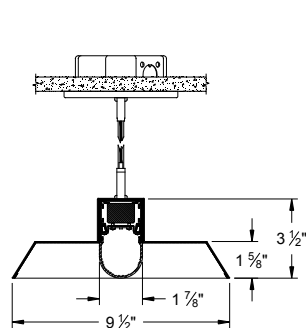
**JOB:** \_\_\_\_\_

**SPECIFIER:** \_\_\_\_\_

**TYPE:** \_\_\_\_\_

**QUANTITY:** \_\_\_\_\_

**SIGNATURE:** \_\_\_\_\_



## ORDERING INFORMATION

799-LED	LENGTH	DRIVER	FINISH	APERTURE LENS	MOUNTING / LENGTH	ACCESSORY
		<b>UN3</b>		<b>79A</b>	<b>CM</b> /	
Cable Mount 8 = 80 CRI 27 = 2700K 9 = 90+CRI 30 = 3000K 35 = 3500K 40 = 4000K	4 = 4' 8 = 8'	<b>UN3</b> = 120v-277v HE 0-10v Dim.	<b>WHT</b> = White <b>SVR</b> = Silver <b>CST</b> = Custom	<b>79A</b> = Veiling Acrylic	<b>CM</b> = Cable 12" 24" 36" 48"	<b>EM</b> = EM Pack



Patent Pending.  
These specifications subject to change without notice.

[www.specialtylightingindustries.com](http://www.specialtylightingindustries.com)  
1306 Doris Avenue, Ocean, NJ 07712 USA  
800.462.7812 732.517.0800 FAX: 732.517.0971