

Multi-lamp, solid state light engine, linear downlight cable mount, nominal 2" wide aperture with 9.5" wide housing and acrylic tubular lens.

SPECIFICATIONS

HOUSING

- Extruded aluminum housing and lens frame with bolt on end plates

MOUNTING

- Cable

ELECTRICAL

- Integral dimmable electronic driver with internal short circuit protection.
- 120v-277v primary, compatible with 0-10v dimmers.
- Also available for 120v phase control. Consult factory for other drivers.
- EM Pack available

LAMP

- LED 80/90+ CRI available. Available in 2700 thru 4000K color temperature.


LENS

- Veiling Acrylic

FINISH

- Standard white, others available

LABELS

-  , US tested to UL standards 1598, Damp location

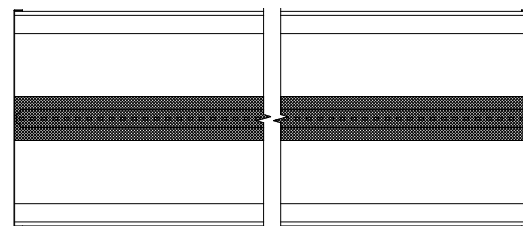
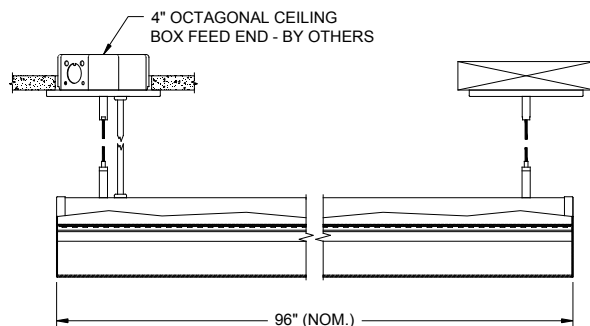
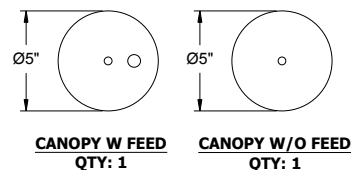
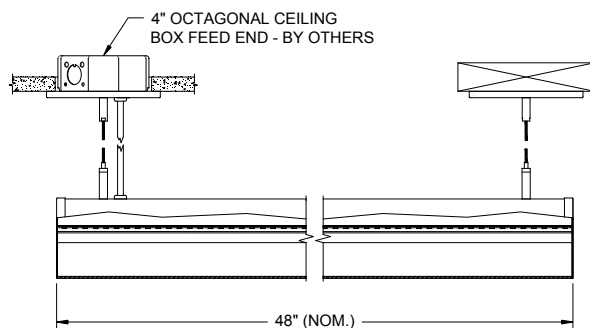
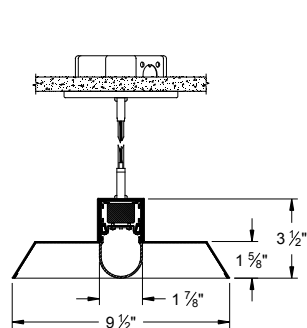
JOB: _____

SPECIFIER: _____

TYPE: _____

QUANTITY: _____

SIGNATURE: _____



ORDERING INFORMATION

798-LED	LENGTH	DRIVER	FINISH	APERTURE LENS	MOUNTING / LENGTH	ACCESSORY
		UN3		79A	CM /	
Cable Mount 8 = 80 CRI 27 = 2700K 9 = 90+CRI 30 = 3000K 35 = 3500K 40 = 4000K	4 = 4' 8 = 8'	UN3 = 120v-277v HE 0-10v Dim.	WHT = White SVR = Silver CST = Custom	79A = Veiling Acrylic	CM = Cable 12" 24" 36" 48"	EM = EM Pack



Patent Pending.
These specifications subject to change without notice.

www.specialtylightingindustries.com
1306 Doris Avenue, Ocean, NJ 07712 USA
800.462.7812 732.517.0800 FAX: 732.517.0971