

Multi-lamp, solid state light engine, linear downlight, nominal 2.5" (64mm) wide aperture and acrylic lens. Used to illuminate low to medium ceiling heights as general lighting.

SPECIFICATIONS

HOUSING

- Extruded aluminum with seamless welded and ground end plates

MOUNTING

- Surface (SH), Stem (SM), or Cable (CM) Mount

ELECTRICAL

- Integral dimmable electronic driver with internal short circuit protection.

LAMP

- 8 watt LED 1100lm/ft supplied with fixture

SOCKET

- Circuit board mounted to extruded aluminum heatsink
- Inline connectors allow removal and replacement.

LENS

- Acrylic diffusing lens. Others available consult factory



TRIM

- Lens frame integral to housing

FINISH

- Housing available in white as standard
- Additional standard colors, RAL palette, custom finishes available

LABELS

-  US, US tested to UL standards 1598, Damp location,  JA8 Approved

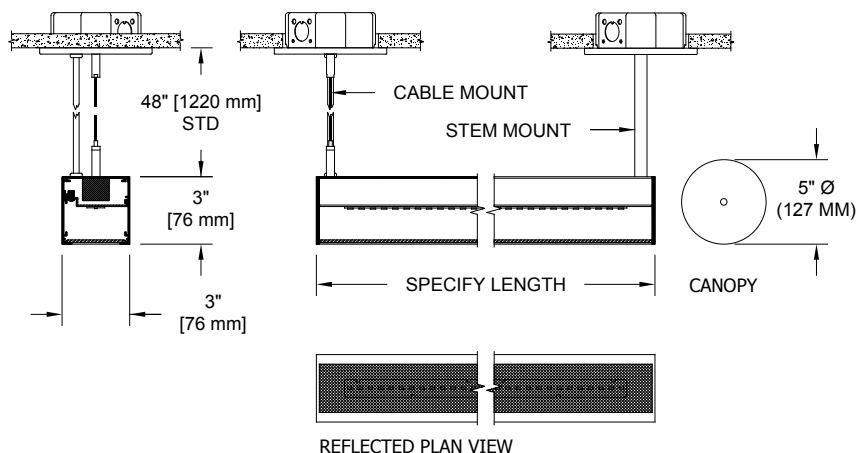
JOB: _____

SPECIFIER: _____

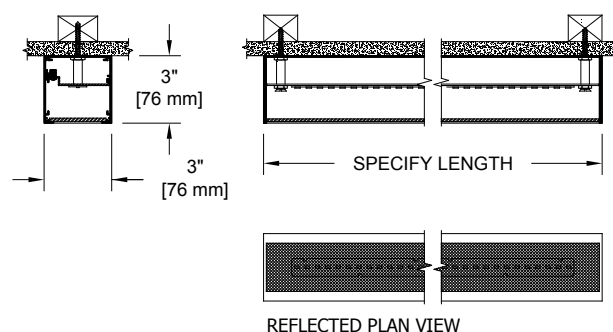
TYPE: _____

QUANTITY: _____

SIGNATURE: _____



CM/SM - CABLE MOUNT/STEM MOUNT



SH - SURFACE HOUSING

ORDERING INFORMATION

700-LED-__	LENGTH	SOURCE / DRIVER	FINISH	APERTURE LENS	ACCESSORIES
		UN2 /		79A	
8 = 80CRI • 27 = 2700K 9 = 90+CRI • 30 = 3000K 35 = 3500K 40 = 4000K	Specify exact length in increments of 12" (300 mm) Minimum 2' for integral driver	• UN2 = 120v-277v, 0-10v Dim. 9W/ft 1100lm/ft (nom.) *Add L2, LTB for Lutron 2 wire, Lutron Fade-to-Black • L2 = 120v, Lutron Hi-lume 1% 2-wr LED driver 9W/ft 1100lm/ft (nom.) • LTB = 120-277v, Fade-to-Black Lutron Hi-lume 1% digital EcoSystem driver 12W/ft 700lm/ft (nom.)	P14 = White BLK=Black PXX = SLI Color XXXX = RAL # CST = Custom	79A = Veiling Acrylic	CM = Cable SM = Stem* SH = Surface Housing *48" Max Length

• California Title 24- JA8 Approved