

TYPE: \_\_\_\_\_  
 JOB: \_\_\_\_\_  
 \_\_\_\_\_

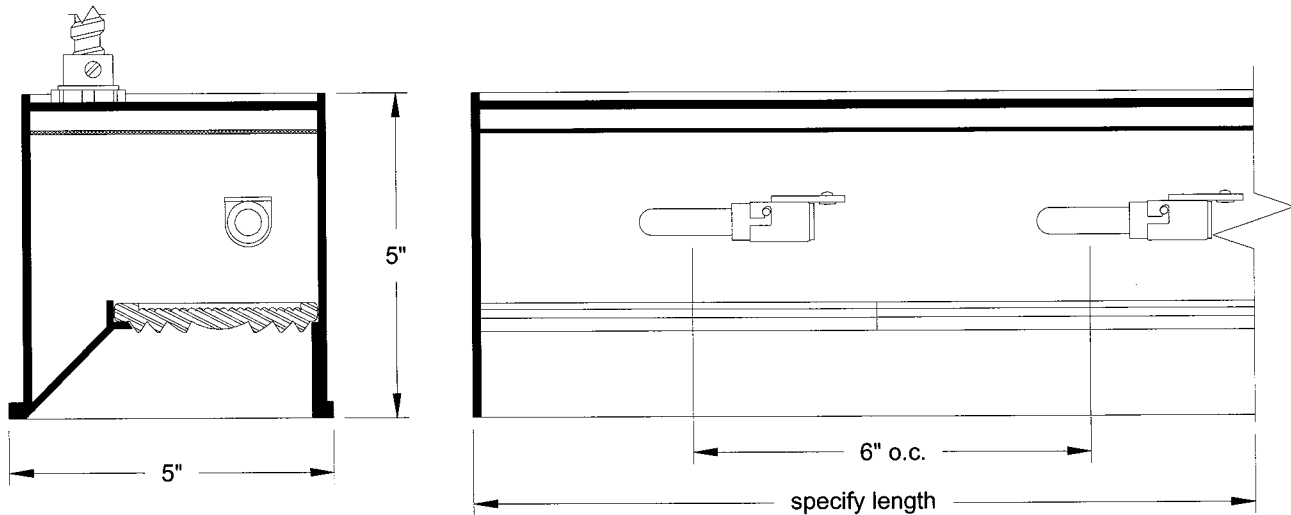
**SPECIFICATIONS**

**HOUSING** - Heavy gauge extruded aluminum (material of corrosion resistant alloy.) Aluminum end plate.  
**REFLECTOR** - Specular, low iridescence, aluminum.  
**ELECTRICAL** - T4/DC, 120v.  
**SOCKET** - Double contact bayonet, 125v 500w, 18ga 600v, 200° C silicone wire.  
**MOUNTING** - Recessed, use ULTRIM frame for GWB/plaster ceiling.

**LABELS** - UL, C-UL -Dry Location.  
**LAMP** - T4/DC, 120v, frosted - by others.  
**LENS** - Fresnel borosilicate glass.  
**FINISH** - Powder paint on all surfaces. RAL colors standard, consult factory for custom finishes.

**APPLICATIONS**

Medium profile, recessed, intended to highlight surface texture in brick, stone, stucco, tile, textured paint, fabric and wood panels.



**ORDERING INFORMATION**

FIXTURE	LAMP	LENGTH	FINISH	CEILING
<b>#609</b>				
Recessed linear wall wash system	<b>20T4</b> = 20w, 120v, DC base <b>40T4</b> = 40w, 120v, DC base	specify exact length, increments of 6"	<b>WHT</b> = White <b>BLK</b> = Black <b>XXXX</b> = RAL # <b>CST</b> = Custom (must supply chip)	<b>WD</b> = Wood <b>PL</b> = Plaster



**SPECIALTY LIGHTING INDUSTRIES, INC.** ©2004

1306 DORIS AVENUE OCEAN, NJ 07712 800.462.7812 732.517.0800 FAX 732.517.0971 [www.specialtylightingindustries.com](http://www.specialtylightingindustries.com)

These specifications subject to change without notice.