

Fluorescent recessed linear slot wall washer. Nominal 5" (125mm) wide aperture, flangeless trim and acrylic fresnel lens

TYPE: _____

JOB: _____

SPECIFIER: _____

SPECIFICATIONS

HOUSING - Extruded aluminum housing with utrim plaster frame

SOCKET - Semi-specular low iridescence aluminum reflector. G5 or G13 socket

MOUNTING - Recessed in sheetrock ceiling

LENS - Acrylic fresnel lens

ELECTRICAL - Integral electronic ballast, dimming ballast available. Integral wireway for connection to supply wires

TRIM - Regress trim integral to housing

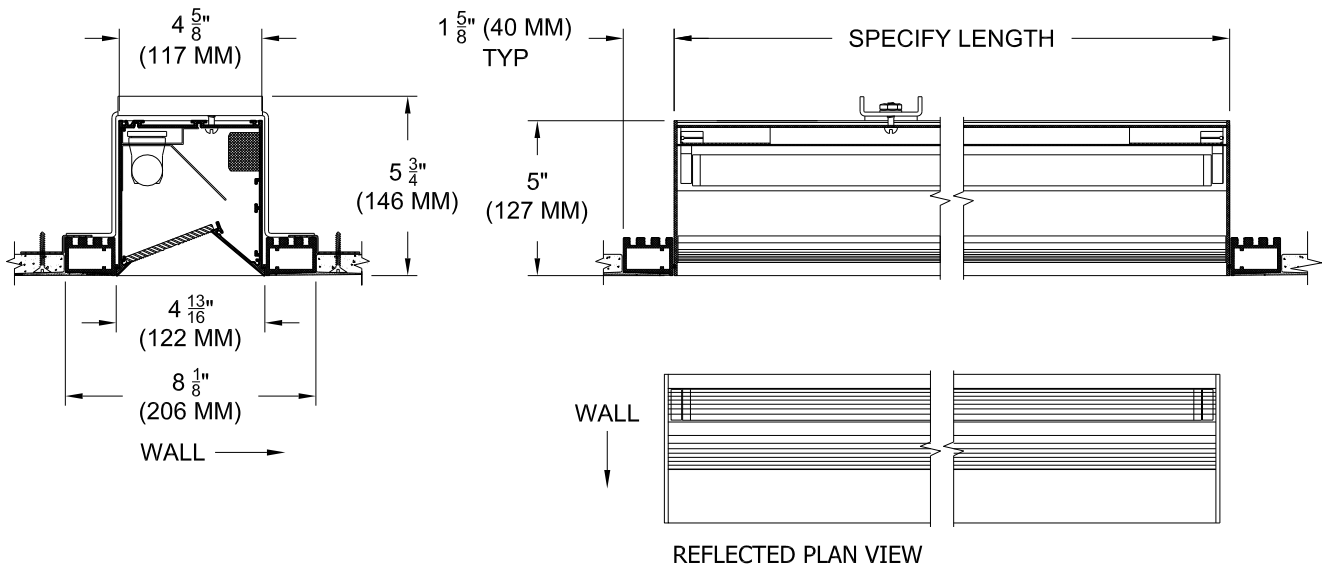
LAMP - T5 or T8 Fluorescent lamp supplied by others

FINISH - Powder paint on all surfaces in black and white as standard. Additional colors and RAL palette available. Consult factory for custom finishes

LABELS - UL, C-UL, Damp location

APPLICATIONS

Small aperture slot used in ceiling heights up to 12 feet (4m) to smoothly wash vertical surfaces such as walls, marker boards, information panels, etc.



ORDERING INFORMATION

HOUSING	LENGTH	LAMP		BALLAST	TRIM FINISH	LENS
607-T8-PH						
Plaster Flange Housing	Specify exact length	Qty	Wattage	120 220 240 277 add DM for dimming	WHT = White BLK = Black PXX = SLI Color XXXX = RAL Color CST = Custom	84A = Fresnel Acrylic 87A = Frosted Fresnel Acrylic

This information is provided as a specification aid. A submittal will be prepared by the manufacturer for approval prior to fabricating this product.



SPECIALTY LIGHTING INDUSTRIES, INC.

NOTE: These specifications subject to change without notice.

www.specialtylightingindustries.com

1306 DORIS AVENUE, OCEAN, NJ 07712 USA 800.462.7812 732.517.0800 FAX 732.517.0971 © 07/11