

Multi-lamp, halogen recessed linear slot wall washer. Nominal 5" (125mm) wide aperture, flangeless trim and cast borosilicate fresnel lens

TYPE: \_\_\_\_\_

JOB: \_\_\_\_\_

SPECIFIER: \_\_\_\_\_

**SPECIFICATIONS**

**HOUSING** - Extruded aluminum housing with minimal flange

**SOCKET** - Medium base porcelain socket. High temperature, teflon coated lead wires

**MOUNTING** - Recessed in millwork ceiling

**LENS** - Cast borosilicate fresnel lens

**ELECTRICAL** - Integral wireway for connection to supply wires

**TRIM** - Regress trim integral to housing

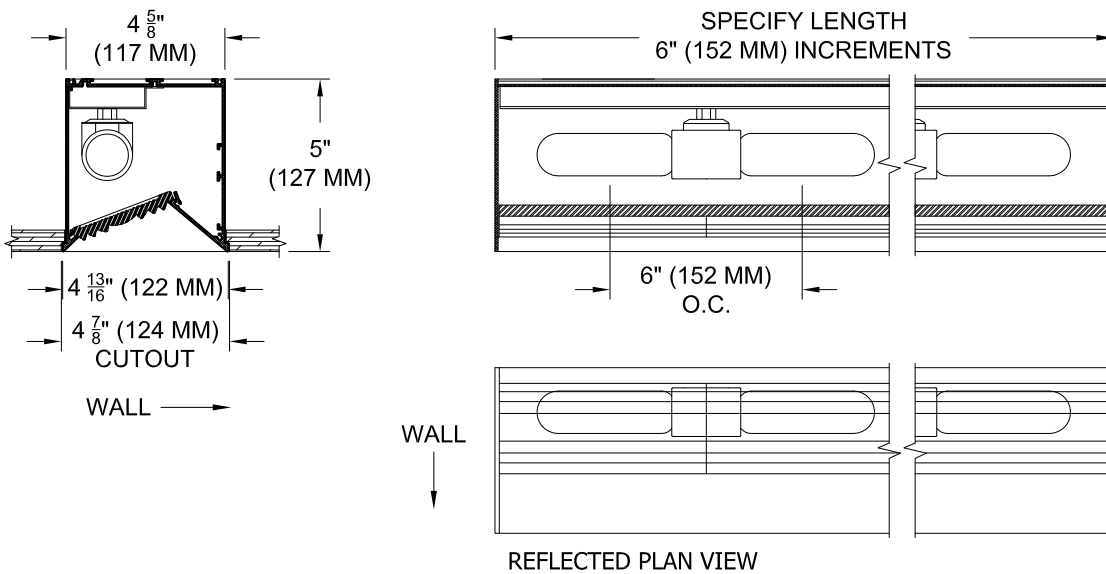
**LAMP** - T10/W or BT10/W 75w max. supplied by others

**FINISH** - Powder paint on all surfaces in black and white as standard. Additional colors and RAL palette available. Consult factory for custom finishes

**LABELS** - UL, C-UL, Damp location

**APPLICATIONS**

Small aperture slot used in ceiling heights up to 10 feet (3m) to smoothly washes artwork and vertical surfaces such as walls, information panels, etc. Suitable for new construction



**ORDERING INFORMATION**

HOUSING	LENGTH	TRIM FINISH	LENS
<b>607-T10-WH</b>			
Wood Housing	Specify exact length in increments of 6", (150 mm)	<b>WHT</b> = White <b>BLK</b> = Black <b>PXX</b> = SLI Color <b>XXXX</b> = RAL Color <b>CST</b> = Custom	<b>80A</b> = Fresnel <b>83A</b> = Frosted Fresnel

This information is provided as a specification aid. A submittal will be prepared by the manufacturer for approval prior to fabricating this product.



**SPECIALTY LIGHTING INDUSTRIES, INC.**

NOTE: These specifications subject to change without notice.

[www.specialtylightingindustries.com](http://www.specialtylightingindustries.com)

1306 DORIS AVENUE, OCEAN, NJ 07712 USA 800.462.7812 732.517.0800 FAX 732.517.0971 ©07/11