

Multi-lamp, halogen recessed linear slot wall washer. Nominal 5" (125mm) wide aperture, flanged trim and cast borosilicate fresnel lens

TYPE: _____

JOB: _____

SPECIFIER: _____

SPECIFICATIONS

HOUSING - Extruded aluminum housing with overlap flange

SOCKET - Medium base porcelain socket. High temperature, teflon coated lead wires

MOUNTING - Recessed in architectural ceiling

LENS - Cast borosilicate fresnel lens

ELECTRICAL - Integral wireway for connection to supply wires

TRIM - Regress trim integral to housing

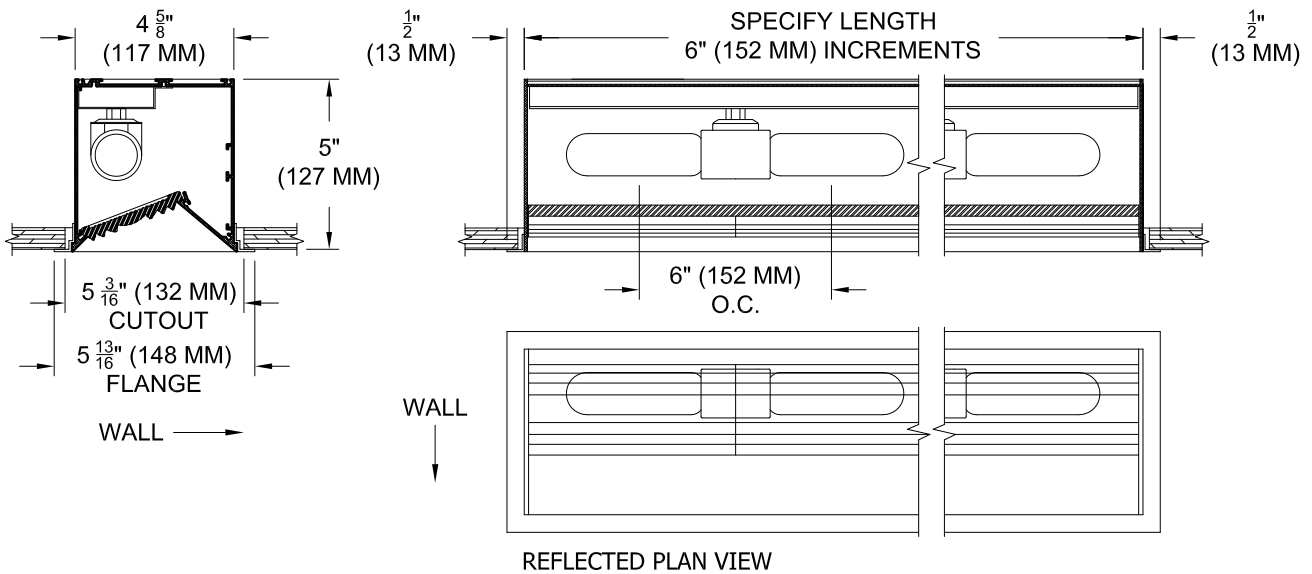
LAMP - T10/W or BT10/W 75w max. supplied by others

FINISH - Powder paint on all surfaces in black and white as standard. Additional colors and RAL palette available. Consult factory for custom finishes

LABELS - UL, C-UL, Damp location

APPLICATIONS

Small aperture slot used in ceiling heights up to 10 feet (3m) to smoothly washes artwork and vertical surfaces such as walls, information panels, etc. Suitable for new construction



ORDERING INFORMATION

HOUSING	LENGTH	TRIM FINISH	LENS
607-T10-FH			
Flanged Housing	Specify exact length in increments of 6", (150 mm)	WHT = White BLK = Black PXX = SLI Color XXXX = RAL Color CST = Custom	80A = Fresnel 83A = Frosted Fresnel

This information is provided as a specification aid. A submittal will be prepared by the manufacturer for approval prior to fabricating this product.



SPECIALTY LIGHTING INDUSTRIES, INC.

NOTE: These specifications subject to change without notice.

www.specialtylightingindustries.com

1306 DORIS AVENUE, OCEAN, NJ 07712 USA 800.462.7812 732.517.0800 FAX 732.517.0971 ©07/11