

Single lamp, solid state light engine, surface mounted mono-point light. Accent and downlighting in low to medium ceiling heights typically found in residential, commercial and retail applications. Suitable for new or existing construction.

SPECIFICATIONS

MOUNTING

- Surface mount

ELECTRICAL

- Integral electronic driver with internal short circuit protection

LAMP

- Citizen or AmbientDim™ LED supplied with fixture



LENS

- Interchangeable reflector provides multiple beam patterns
- Solite, and Frosted as standard. For more options, consult factory

FINISH

- Standard in white, black, silver, and bronze
- Consult factory for custom finishes

LABELS

-  US, US tested to UL standards 1598, Damp location,  JA8 Approved

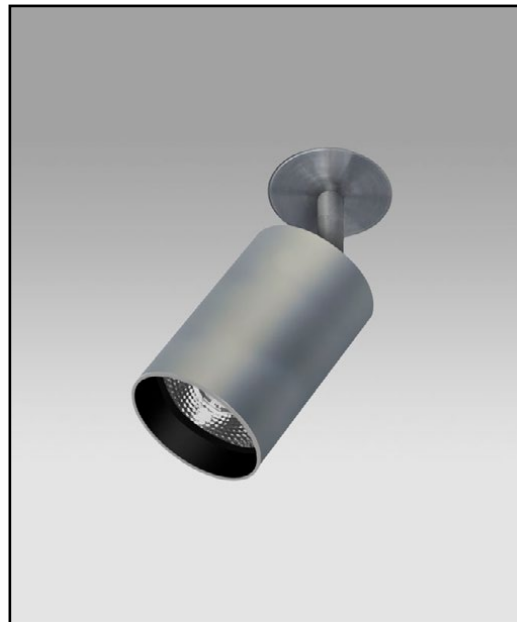
JOB: _____

SPECIFIER: _____

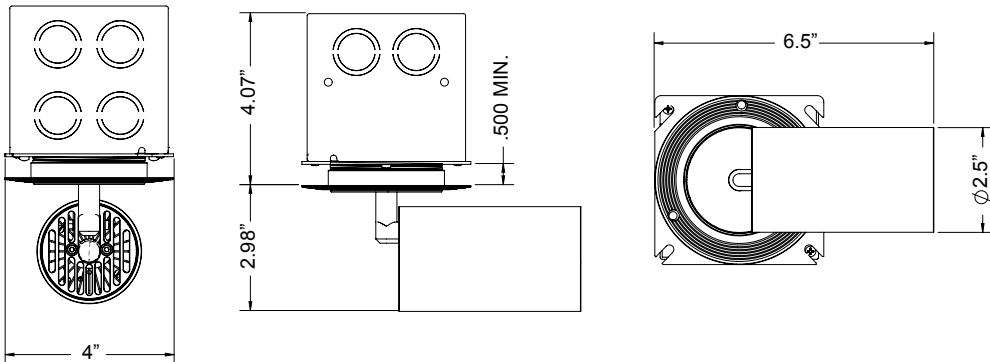
TYPE: _____

QUANTITY: _____

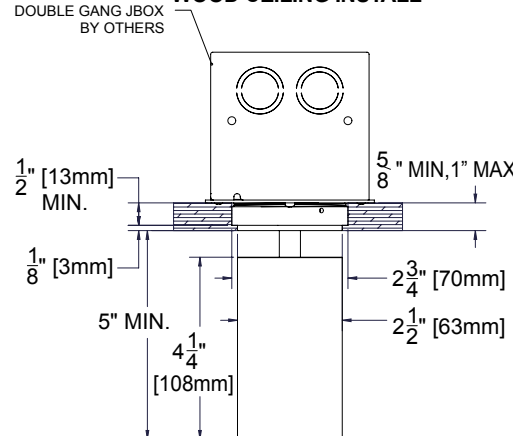
SIGNATURE: _____



GWB/ DRYWALL INSTALL



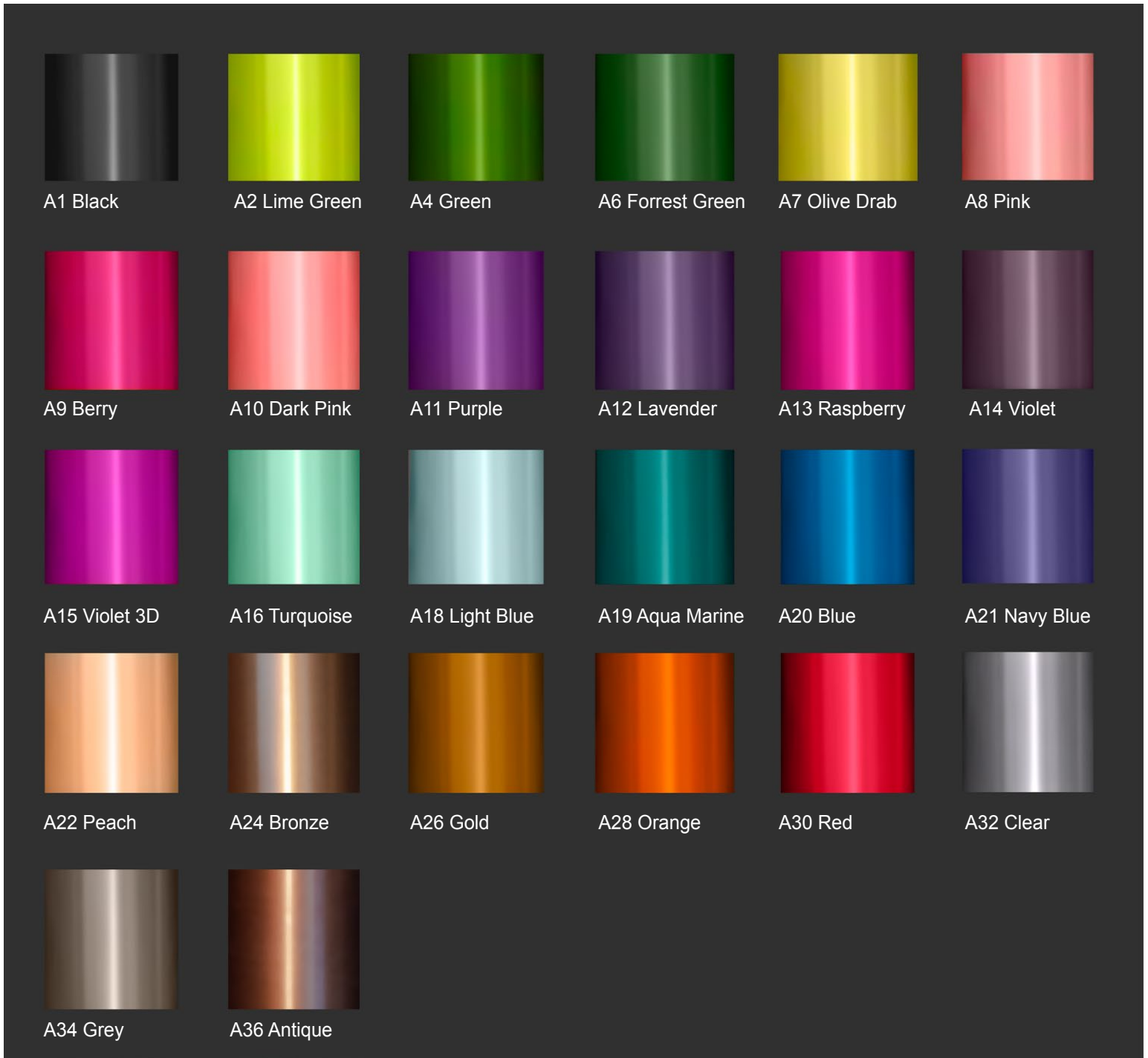
WOOD CEILING INSTALL



ORDERING INFORMATION

4505-LED-SH	TRIM	SOURCE / DRIVER	LENS PLACEMENT	BEAMSPREAD	FINISH	LAMP LENS	ACCESSORIES
Surface Mounted 9 = 90+CRI • 27 = 2700K • 30 = 3000K • 35 = 3500K • 40 = 4000K AD = Ambient Dim Max 3000K-1900K	FT =Flanged Trim ZT =Zero Trim PT =Panel Trim See install sheets on website A- Flanged Integral B- Plaster Integral C- Millwork Integral D- Flange Remote E- Plaster Remote F- Millwork Remote	<ul style="list-style-type: none"> • CZ14=350ma, 14W, 1650lm • AD14=350ma, 14.5W, 1000lm • C1 =0-10V dimming, 1%, 120-277v • C2 =TRIAC/ELV 2-wire, 1% 120v (Lead/Trail Edge) • RX-C1 =Remote 0-10V dimming • RX-C2 =Remote 2-wire 	SR = Shallow Regress (.75" lens depth)	15 = 15 Degrees 26 = 26 Degrees 40 = 40 Degrees	P14 † = White BLK = Black AXX * = Anodized Aluminum CST † = Custom MBX * = Metal Finish on Brass (Confirm details) †Stem is anodized black *See Page 2 for finish options ->	Blank = None 79A =Veiling Acrylic 91A = Solite 93A = Frosted	97L = Black Hexcell

• California Title 24- JA8 Approved



Metal Finish on Brass

