

Single lamp, solid state light engine, recessed 2" (50mm) aperture down light. Flood aperture with low brightness parabolic reflector or glass aperture with decorative glass cylinder. General downlighting in medium ceiling heights typically found in residential, commercial and retail applications. Suitable for new construction

SPECIFICATIONS

HOUSING

- Precision die-formed heavy gauge aluminum

MOUNTING

- Recessed in architectural ceiling

ELECTRICAL

- Integral dimmable electronic driver with internal short circuit protection
- 120v-277v primary, compatible with 0-10v dimmers / Available for 120 phase control

LAMP

- Citizen LED supplied with fixture

SOCKET

- Precision CNC machined lampholder assembly

LENS

- Interchangeable reflector provides multiple beam patterns
- Optional borosilicate lenses available for aperture

TRIM

- Spun anodized aluminum reflector cone or decorative glass cylinder
- ST is flanged trim fully sealed and gasketed. Aperture lens required.

FINISH

- Aperture trim available in black and white as standard
- Additional colors, RAL palette, custom finishes available

LABELS

- US, US tested to UL standards 1598, Damp location, Wet with ST trim,

JA8 Approved

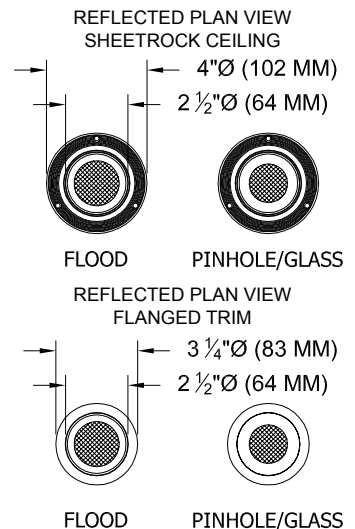
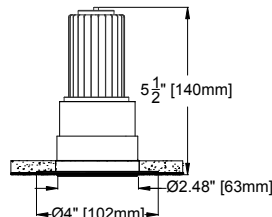
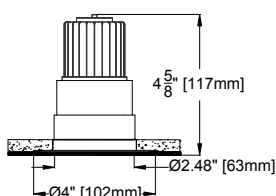
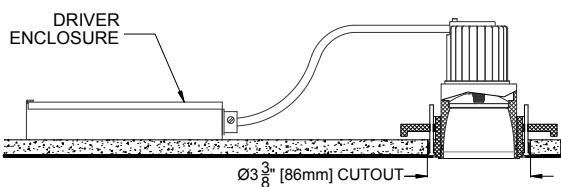
JOB: _____

SPECIFIER: _____

TYPE: _____

QUANTITY: _____

SIGNATURE: _____



ORDERING INFORMATION

4500-LEDZ-ZH	TRIM	APERTURE	SOURCE / DRIVER	BEAMSPREAD	TRIM FINISH	APERTURE LENS
Zero Housing 9 = 90+CRI 27 = 2700K 30 = 3000K 35 = 3500K 40 = 4000K	FT=Flanged Trim PT=Panel Trim ST=Shower Trim* ZT=Zero Trim *Aperture lens required	FA = Flood GA = Glass PA = Pinhole California Title 24- JA8 Approved	CZ14=120-277v, 14W 1100lm CZ20=120-277v, 20W 2265lm C1 =0-10V dimming, 1%, 120-277v C2 =TRIAC/ELV 2-wire, 1% 120v (Lead/Trail Edge) E1 =EldoLED 0-10V Logarithmic Dim, 0.1%, 120-277v E2 =EldoLED DALI, 0.1%, 120-277v E3 =EldoLED 0-10V Linear Dim, 0.1%, 120-277v L2 =Ltrn Hi-lume 1% 2-wr LED driver (120v fwd phase) LTB =Lutron Hi-lume 1% EcoSys LED driver, 1%, 120-277v, Soft-on, Fade-to-Black	15 = 15 Degrees 24 = 24 Degrees 38 = 38 Degrees	CAA = Clear (FA) GAA = Gold (FA) P14 = White BLK=Black PXX = SLI Color CST = Custom	Blank= None 79A= Veiling Acrylic 91A= Solite 93A= Frosted

*ELDO and Lutron are remote mounted