

Single lamp, solid state light engine, surface mounted wall washer and down light, nominal 4" (106mm) flangeless trim. Wallwasher and downlighting in medium to high ceiling heights typically found in residential, commercial and retail applications. Suitable for new or existing construction.

SPECIFICATIONS

HOUSING

- Precision die-formed heavy gauge aluminum

MOUNTING

- Surface or Pendant mounted

ELECTRICAL

- Integral dimmable electronic driver with internal short circuit protection

LAMP

- Citizen or AmbientDim™ LED supplied with fixture

LENS

- Interchangeable reflector provides multiple beam patterns
- Optional borosilicate lenses available for aperture


TRIM

- One piece die-cast aluminum pyramidal shield

FINISH

- Housing available in black and white as standard
- Additional colors, RAL palette, custom finishes

LABELS

-  , US tested to UL standards 1598, Damp location

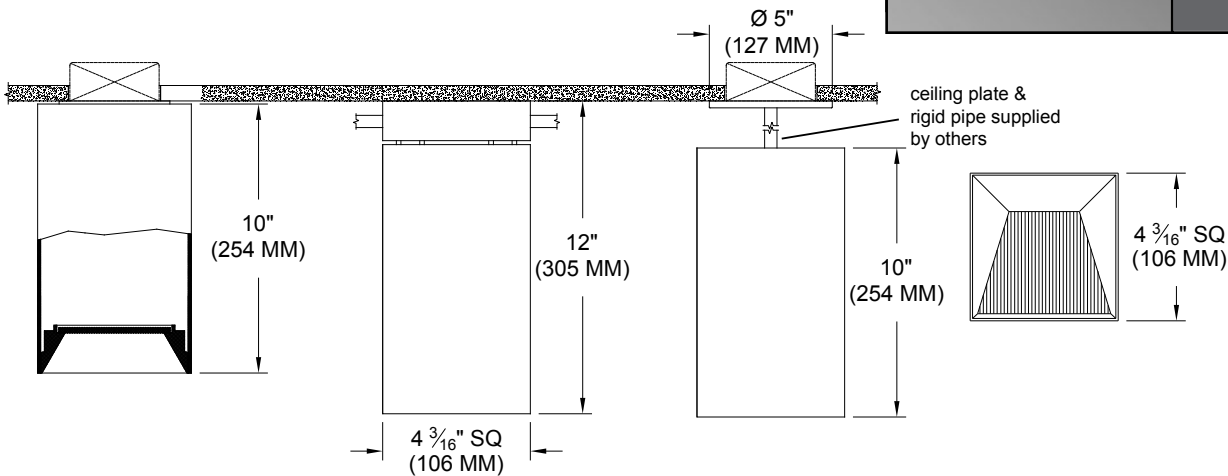
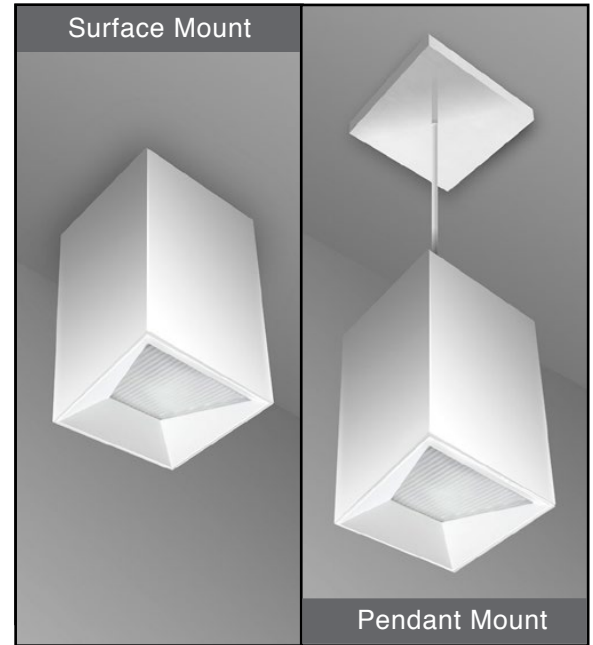
JOB: _____

SPECIFIER: _____

TYPE: _____

QUANTITY: _____

SIGNATURE: _____



SURFACE MOUNT

SURFACE MOUNT
W/ J-BOX

PENDANT MOUNT

REFLECTED PLAN VIEW

ORDERING INFORMATION

4240-LED-SH	SOURCE / DRIVER	TRIM / HOUSING FINISH	APERTURE LENS	ACCESSORIES
	/	/	82A	/
Surface Housing 9 = 90+CRI 27 = 2700K 30 = 3000K 35 = 3500K 40 = 4000K AD = Ambient Dim Max 3000K-1900K	CZ14 =120-277v, 14W 1640lm CZ20 =120-277v, 20W 2265lm AD14 =350ma, 14.5W 1000lm C1 =0-10V dimming, 1%, 120-277v C2 =TRIAC/ELV 2-wire, 3% 120v (Lead/Trail Edge)	P14 = White BLK =Black PXX = SLI Color XXXX = RAL # CST = Custom	82A = Frosted Supertex	JB = Junction Box PM = Pendant Mount (Pendant wire length below*) 12 = 12" wire length 24 = 24" wire length 36 = 36" wire length 48 = 48" wire length CST = Custom



Patent Pending.
 These specifications subject to change without notice.

www.specialtylightingindustries.com
 1306 Doris Avenue, Ocean, NJ 07712 USA
 800.462.7812 732.517.0800 FAX:732.517.0971