

Multi-lamp, low voltage halogen, recessed linear downlight with nominal 5" (120mm) wide aperture, fixed socket plate and borosilicate supertex spread lens.

SPECIFICATIONS

HOUSING

- Extruded aluminum housing

MOUNTING

- Recessed in architectural ceiling

ELECTRICAL

- Fixture comes with terminal block for connection to remote transformer
- Transformer should be sized for the run length and ordered separately

LAMP

- MR-16 spot 74w max per foot - supplied by others

SOCKET

- Precision die-formed aluminum socket plate
- G4/G6 ceramic socket or nickel plated steel double contact bayonet base with stainless steel spring for optimum contact. High temperature lead wires.

LENS

- Supertex borosilicate glass. Others available consult factory



TRIM

- Regress trim integral to housing

FINISH

- Powder paint on all surfaces in black and white as standard
- Additional colors and RAL palette available. Consult factory for custom finishes

LABELS

-  , US tested to UL standards 1598, Damp location, Wet with ST trim/LC, 

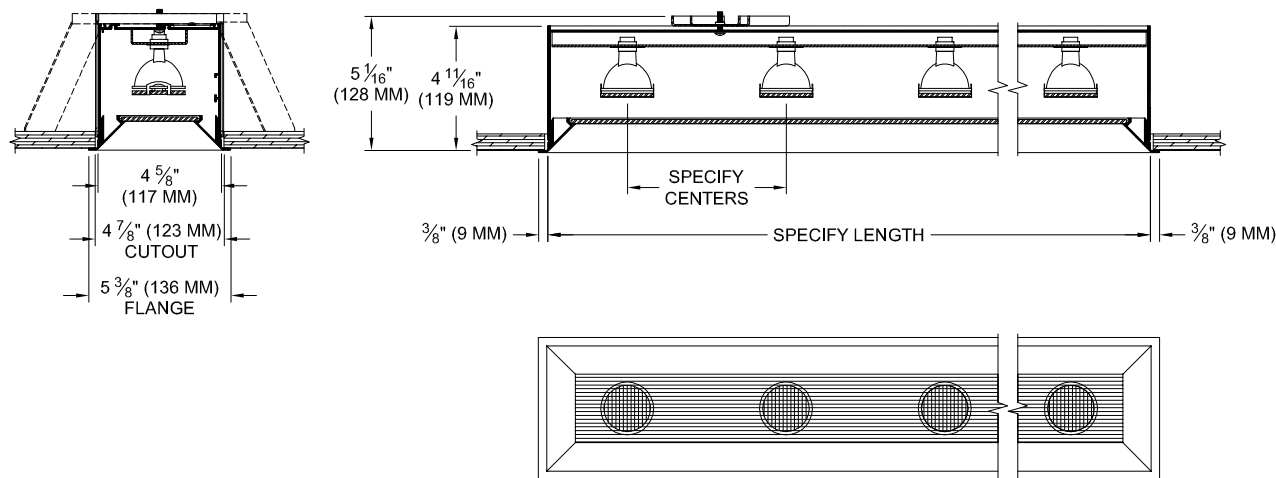
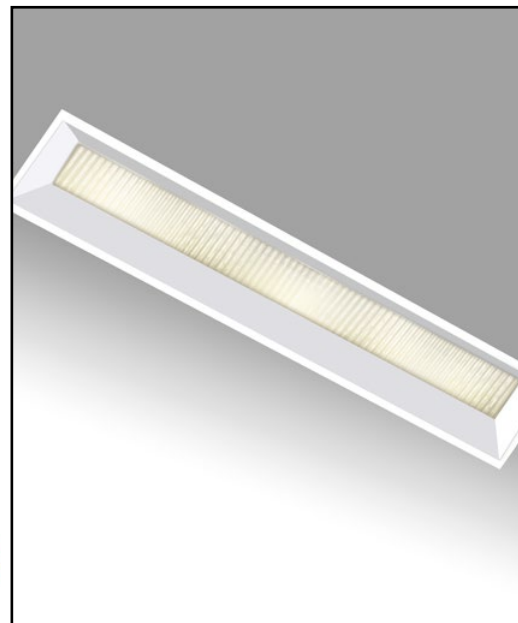
JOB: _____

SPECIFIER: _____

TYPE: _____

QUANTITY: _____

SIGNATURE: _____



ORDERING INFORMATION

415-MR16-FH	LAMP SPACING	LENGTH	TRANSFORMER	FINISH	APERTURE LENS	ACCESSORIES
			RX			
Flanged Housing 20MR =20W, MR16 37MR =37W, MR16* *6" O.C. Only	4" = 4" 6" = 6" or custom spacing	Specify exact length	RX=Remote	P14 = White BLK=Black PXX = SLI Color XXXX = RAL # CST = Custom	82A = Frosted Supertex 92A = Supertex	ST= Shower Trim LC = Lens Clip