

Multi-lamp, solid state light engine, recessed linear downlight with nominal 5" (120mm) wide aperture, fixed socket plate and acrylic lens.

## SPECIFICATIONS

### HOUSING

- Extruded aluminum housing with flange

### MOUNTING

- Install from below in sheetrock ceiling

### ELECTRICAL

- Integral dimmable electronic driver with internal short circuit protection.
- 120v-277v primary, compatible with 0-10v dimmers.
- Also available for 120v phase control. Consult factory for other drivers.

### LAMP

- 1100lm/ft supplied with fixture. Available in 27K thru 4000K
- Consult factory for other options

### SOCKET

- Semi-specular low iridescence aluminum reflector
- Inline connectors allow removal and replacement

### LENS

- Acrylic diffusing lens. Others available consult factory


### TRIM

- Regress trim integral to housing

### FINISH

- Powder paint on all surfaces in black and white as standard
- Additional colors and RAL palette available. Consult factory for custom finishes

### LABELS

-  , US tested to UL standards 1598, Damp location, Wet with ST trim/LC

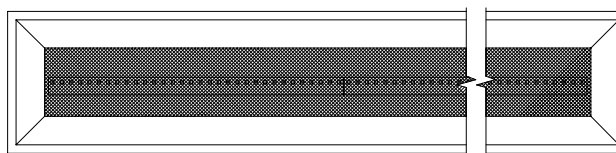
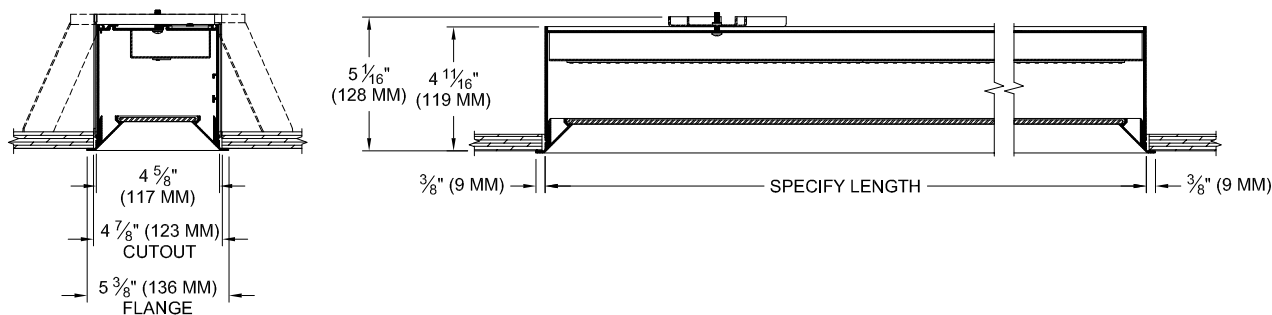
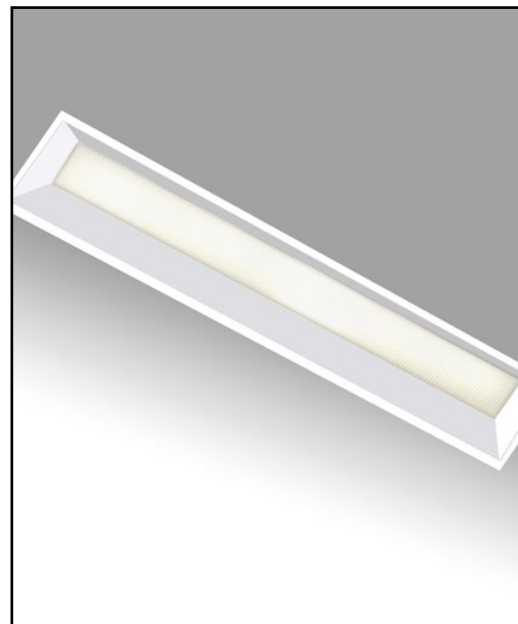
JOB: \_\_\_\_\_

SPECIFIER: \_\_\_\_\_

TYPE: \_\_\_\_\_

QUANTITY: \_\_\_\_\_

SIGNATURE: \_\_\_\_\_



REFLECTED PLAN VIEW

## ORDERING INFORMATION

415-LEDP-FH	LENGTH	DRIVER	FINISH	APERTURE LENS	ACCESSORIES
Flanged Housing 827 = 2700K 80CRI 830 = 3000K 80CRI 835 = 3500K 80CRI 840 = 4000K 80CRI	Specify exact length in increments of 12" (300 mm) Min. 2' required for integral driver	UN3 = 120v-277v HE 0-10v Dim. UN5 = 120v-277v HO 0-10v Dim. 123LT2 = 120v HE Lutron 2 wire 125LT2 = 120v HO Lutron 2 wire 123LT3 = 120-277v Lutron 3 wire 125LT3 = 120-277v Lutron 3 wire	P14 = White BLK=Black PXX = SLI Color XXXX = RAL # CST = Custom	79A = Veiling Acrylic 91A = Solite	ST = Shower Trim LC = Lens Clip 3U = 3 Side Ultrim 4U = 4 Side Ultrim



Patent Pending.  
These specifications subject to change without notice.

[www.specialtylightingindustries.com](http://www.specialtylightingindustries.com)  
1306 Doris Avenue, Ocean, NJ 07712 USA  
800.462.7812 732.517.0800 FAX:732.517.0971