

Dual lamp, solid state light engine, recessed accent light with nominal 4"x 8" (100mm x 200mm) rectangular 2 cell aperture and optional glass diffuser. Accent and downlighting in medium to high ceiling heights typically found in residential, commercial and retail applications. Suitable for new construction.

SPECIFICATIONS

HOUSING

- Precision die-formed heavy gauge aluminum with flangeless trim and integrated screed edge

MOUNTING

- Recessed in architectural ceiling

ELECTRICAL

- Integral dimmable electronic driver with internal short circuit protection
- 120v-277v primary, compatible with 0-10v dimmers / Available for 120v phase control and Lutron

LAMP

- (2) AmbientDim™ LED supplied with fixture

SOCKET

- Precision aluminum yoke with CNC machined lampholder assembly
- Usocket™** allows easy field replacement of light engine

LENS

- Interchangeable reflector provides multiple beam patterns
- Optional borosilicate lenses available for aperture


TRIM

- Flangeless, two piece die-cast aluminum pyramidal shield

FINISH

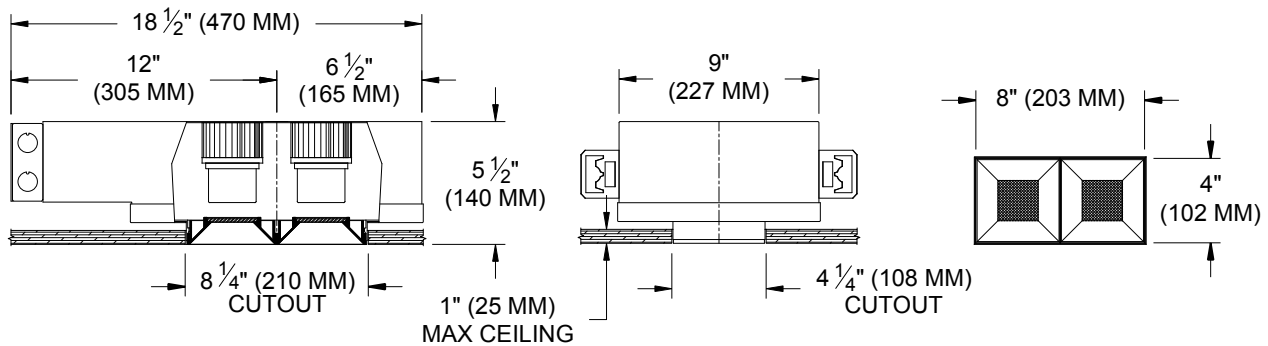
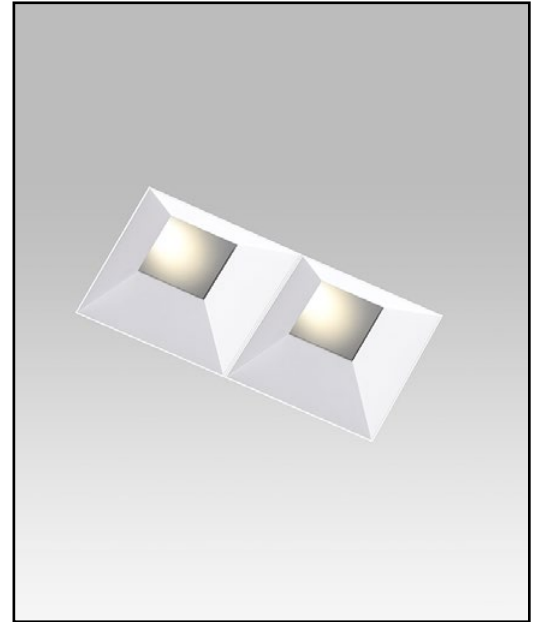
- Black powder paint housing
- Aperture trim available in black and white as standard
- Solid wood, additional colors, RAL palette, custom finishes available

LABELS

-  , US tested to UL standards 1598, Damp location

JOB: _____
 SPECIFIER: _____
 TYPE: _____
 QUANTITY: _____
 SIGNATURE: _____

AmbientDim™



ORDERING INFORMATION

4050-2LED-AD-UH	TRIM	DRIVER	BEAMSPREAD	TRIM FINISH	APERTURE LENS
	ZT	AD14			
Universal Housing Ambient Dimming LED *CCT Max 3000K-1900K	ZT=Zero Trim	AD=350ma, 14.5W, 1000lm *Add DM2 for 2 wire dimming *Add LT2 for Lutron 2 wire *Add LT3 for Lutron 3 wire *Add LT4 for Lutron 4 wire *Add LT5 for Lutron 5 wire *Add LTB for Lutron Fade-to-Black	15 = 15 Degrees 24 = 24 Degrees 38 = 38 Degrees 60 = 60 Degrees	P14 = White BLK=Black PXX = SLI Color WXX = Wood XXXX = RAL # CST = Custom	Blank= None 90A = Clear 91A = Solite 92A = Supertex 93A = Frosted

*Lutron Only- 2 circuit box required / Request separate cutsheet

Patent Pending.

These specifications subject to change without notice.

www.specialtylightingindustries.com

1306 Doris Avenue, Ocean, NJ 07712 USA

800.462.7812 732.517.0800 FAX:732.517.0971

02/17

