

Single lamp, solid state light engine, recessed accent light, nominal 6" (152mm) diameter flat trim with 5" (127mm) aperture and optional glass diffuser. Downlighting in medium to high ceiling heights typically found in residential, commercial and retail applications. Suitable for new construction. AmbientDim™ provides Superior CRI at all dimming levels.

## SPECIFICATIONS

### HOUSING

- Precision die-formed heavy gauge aluminum with machined adjustable ceiling collar

### MOUNTING

- Recessed in architectural ceiling

### ELECTRICAL

- Integral dimmable electronic driver with internal short circuit protection
- 120v-277v primary, compatible with 0-10v dimmers
- Also available for 120v phase control and Lutron

### LAMP

- AmbientDim™ LED supplied with fixture

### SOCKET

- Precision aluminum yoke with CNC machined lampholder assembly
- Usocket™** allows easy field replacement of light engine

### LENS

- Interchangeable reflector provides multiple beam patterns
- Optional borosilicate lenses available for aperture


### TRIM

- Flanged or flangeless, one-piece die-cast aluminum plate with round aperture
- ST trim fully sealed and gasketed

### FINISH

- Black powder paint housing / Aperture trim available in black and white as standard
- Solid wood, additional colors, RAL palette, custom finishes

### LABELS

-  , US tested to UL standards 1598, Damp location, Wet with ST trim

**JOB:** \_\_\_\_\_

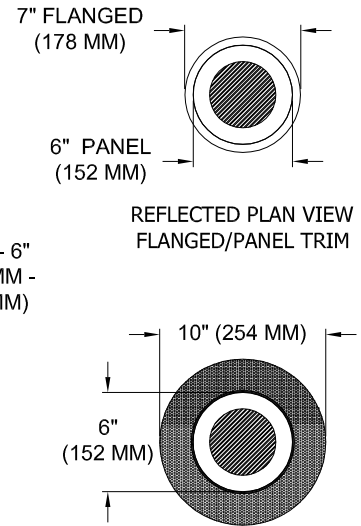
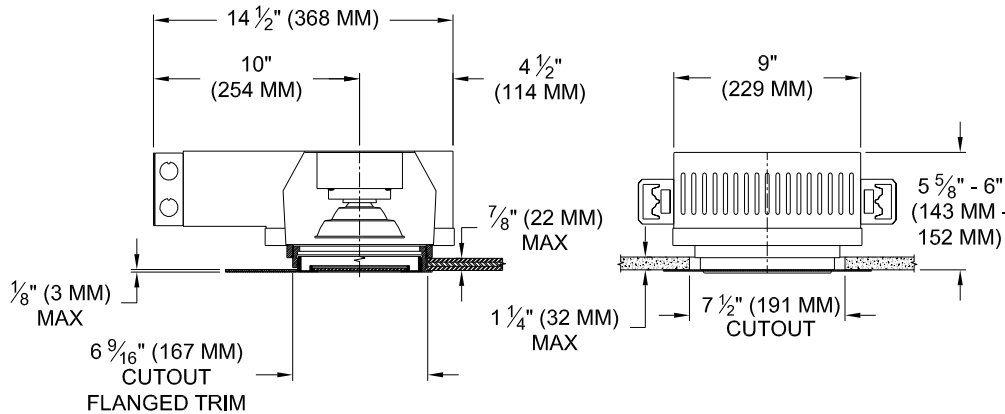
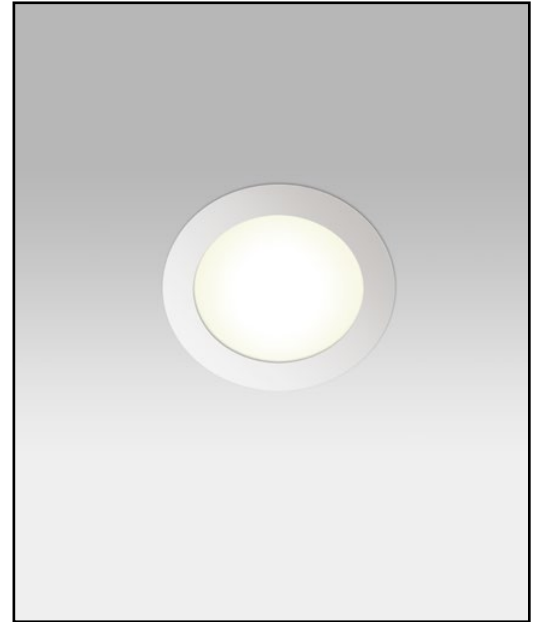
**SPECIFIER:** \_\_\_\_\_

**TYPE:** \_\_\_\_\_

**QUANTITY:** \_\_\_\_\_

**SIGNATURE:** \_\_\_\_\_

 AmbientDim™



## ORDERING INFORMATION

4021-LED-AD-UH	TRIM	DRIVER	BEAMSPREAD	TRIM FINISH	APERTURE LENS
		<b>AD35</b>			
Universal Housing Ambient Dimming LED  *CCT Max 3000K-1900K	<b>FT</b> =Flanged Trim <b>PT</b> =Panel Trim** <b>ST</b> =Shower Trim* <b>ZT</b> =Zero Trim  **WXX only *Aperture lens required	<b>AD35=35W, 2850lm</b>  *Add <b>DM2</b> for 2 wire dimming *Add <b>LT2</b> for Lutron 2 wire *Add <b>LT3</b> for Lutron 3 wire *Add <b>LT5</b> for Lutron 5 wire *Add <b>LTB</b> for Lutron Fade-to-Black	<b>24</b> = 24 Degrees <b>60</b> = 60 Degrees	<b>P14</b> = White <b>BLK</b> =Black <b>PXX</b> = SLI Color <b>WXX</b> = Wood <b>XXXX</b> = RAL # <b>CST</b> = Custom	<b>Blank</b> = None <b>90A</b> = Clear <b>91A</b> = Solite <b>92A</b> = Supertex <b>93A</b> = Frosted