

Single lamp, solid state light engine, recessed accent light, nominal 6" (152mm) diameter trim with 5" (127mm) aperture and optional glass diffuser. Downlighting in medium to high ceiling heights typically found in residential, commercial and retail applications. Suitable for new construction.

## SPECIFICATIONS

### HOUSING

- Precision die-formed heavy gauge aluminum with machined adjustable ceiling collar

### MOUNTING

- Recessed in architectural ceiling

### ELECTRICAL

- Integral dimmable electronic driver with internal short circuit protection
- 120v-277v primary, compatible with 0-10v dimmers
- Also available for 120v phase control and Lutron

### LAMP

- Citizen LED supplied with fixture

### SOCKET

- Precision aluminum yoke with CNC machined lampholder assembly

### LENS

- Interchangeable reflector provides multiple beam patterns
- Optional borosilicate lenses available for aperture


### TRIM

- Flanged or flangeless, one-piece die-cast conical shield
- ST trim fully sealed and gasketed

### FINISH

- Black powder paint housing / Aperture trim available in black and white as standard
- Solid wood, additional colors, RAL palette, custom finishes

### LABELS

-  , US tested to UL standards 1598, Damp location, Wet with ST trim

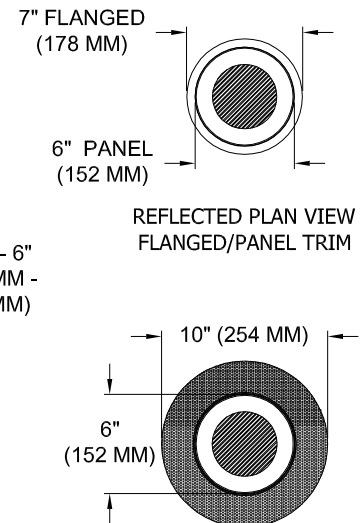
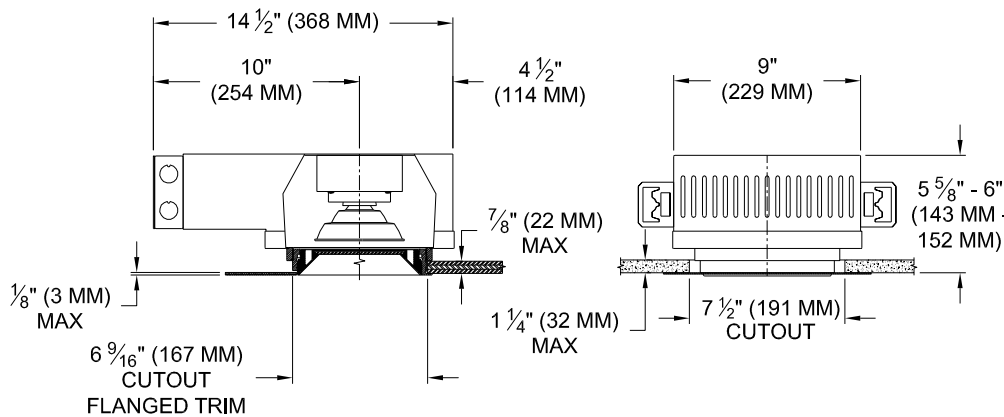
**JOB:** \_\_\_\_\_

**SPECIFIER:** \_\_\_\_\_

**TYPE:** \_\_\_\_\_

**QUANTITY:** \_\_\_\_\_

**SIGNATURE:** \_\_\_\_\_



## ORDERING INFORMATION

4020-LEDZ-UH	TRIM	SOURCE / DRIVER	BEAMSPREAD	TRIM FINISH	APERTURE LENS
Universal Housing 9 = 90+CRI 27 = 2700K 30 = 3000K 35 = 3500K 40 = 4000K	FT=Flanged Trim PT=Panel Trim** ST=Shower Trim* ZT=Zero Trim  **WXX only *Aperture lens required	CZ14=120-277v, 14W 1100lm CZ20=120-277v, 20W 2265lm CZ28**=120-277v, 28W 3000lm  C1=0-10V dimming, 1%, 120-277v C2=TRIAC/ELV 2-wire, 1% 120v (Lead/Trail Edge) E1=EldoLED 0-10V Logarithmic Dim, 0.1%, 120-277v E2=EldoLED DALI, 0.1%, 120-277v E3=EldoLED 0-10V Linear Dim, 0.1%, 120-277v L2=Ltrn Hi-lume 1% 2-wr LED driver (120v forward phase) LTB=Lutron Hi-lume 1% EcoSys LED driver, 1%, 120-277v, Soft-on, Fade-to-Black	15 = 15 Degrees 24 = 24 Degrees 38 = 38 Degrees 60 = 60 Degrees	P14 = White BLK=Black PXX = SLI Color WXX = Wood XXXX = RAL # CST = Custom	Blank= None 90A = Clear 91A = Solite 92A = Supertex 93A = Frosted