

Single lamp, solid state light engine, surface mounted down light with nominal 6"(152mm) aperture. General downlighting in medium to high ceiling heights typically found in residential, commercial and retail applications. Suitable for new or existing construction.

SPECIFICATIONS

HOUSING

- Heavy wall extruded aluminum tube with machined adjustable ceiling collar

MOUNTING

- Surface mounted or Pendant mounted

ELECTRICAL

- Integral dimmable electronic driver with internal short circuit protection
- 120v-277v primary, compatible with 0-10v dimmers
- 2-wire dimming TRIAC ELV, consult factory

LAMP

- Xicato LED supplied with fixture
- Available in 2700 thru 4000K color temperature and 80 or 98 CRI

SOCKET

- Removable lamp cassette simplifies installation and permits easy access for maintenance

LENS

- Interchangeable reflector provides multiple beam patterns

TRIM

- Clear semi-specular anodized aluminum reflector

FINISH

- Housing available in black and white as standard
- Additional colors, RAL palette, custom finishes

LABELS

-  , US tested to UL standards 1598, Wet or Damp location

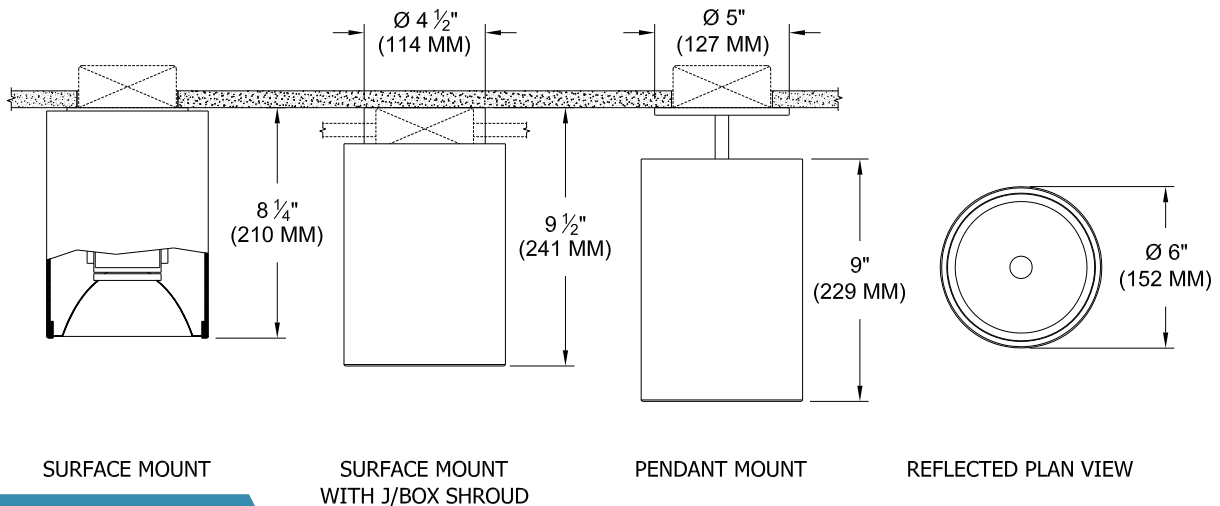
JOB: _____

SPECIFIER: _____

TYPE: _____

QUANTITY: _____

SIGNATURE: _____



ORDERING INFORMATION

4018-LEDX-SH-VHO	DRIVER	BEAMSPREAD	FINISH	ACCESSORIES
Surface Mounted Housing 8 = 80CRI 27 = 2700K 9 = 98CRI 30 = 3000K 35 = 3500K 40 = 4000K	XT8 = 120v-277v, 8W 800lm XT12 = 120v-277v, 12W 1055lm XT17 = 120v-277v, 17W 1400lm *Add DM2 for 2 wire dimming, 0-10V	20 = 20 Degrees 40 = 40 Degrees	P14 = White BLK = Black PXX = SLI Color XXXX = RAL # CST = Custom	JB = Junction Box Cover Shroud PM = Pendant Mount

Driver specs based on 98 CRI. [Click to View 80 CRI driver specs](#)