

Single lamp, solid state light engine, surface mounted down light with nominal 6" (156mm) aperture. General downlighting in medium to high ceiling heights typically found in residential, commercial and retail applications. Suitable for new or existing construction.

## SPECIFICATIONS

### HOUSING

- Heavy wall extruded aluminum tube with machined adjustable ceiling collar

### MOUNTING

- Surface, Cable or Pendant mounted

### ELECTRICAL

- Integral dimmable electronic driver with internal short circuit protection
- 120v-277v primary, compatible with 0-10v dimmers
- 2-wire dimming TRIAC ELV, consult factory

### LAMP

- Citizen or AmbientDim™ LED supplied with fixture

### TRIM

- Clear semi-specular anodized aluminum reflector

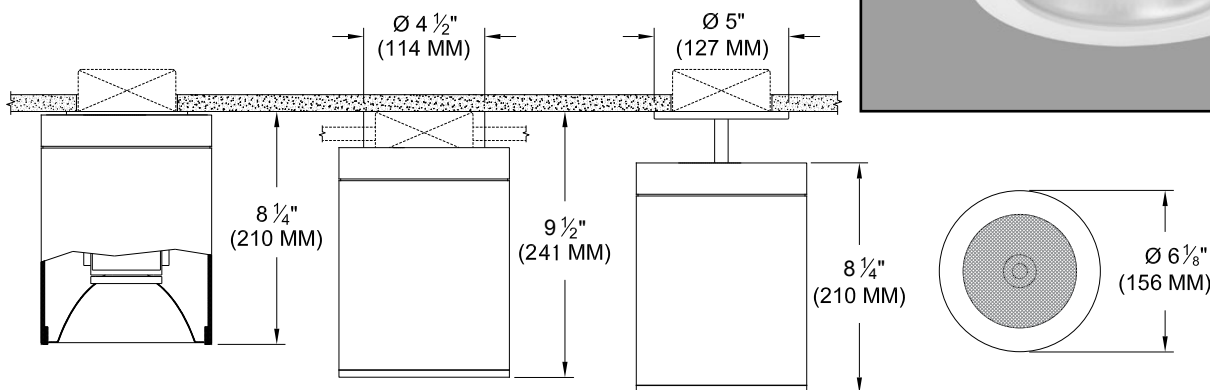
### FINISH

- Housing available in black and white as standard
- Additional colors, RAL palette, custom finishes

### LABELS

-  , US tested to UL standards 1598, Wet or Damp location

**JOB:** \_\_\_\_\_  
**SPECIFIER:** \_\_\_\_\_  
**TYPE:** \_\_\_\_\_  
**QUANTITY:** \_\_\_\_\_  
**SIGNATURE:** \_\_\_\_\_



SURFACE MOUNT

SURFACE MOUNT WITH J/BOX SHROUD

PENDANT MOUNT

REFLECTED PLAN VIEW

## ORDERING INFORMATION

4018-LED-SH	SOURCE / DRIVER	BEAMSPREAD	FINISH	LENS	ACCESSORIES / TRIM
	/				/
<b>9</b> = 90CRI <b>27</b> =2700K <b>30</b> =3000K <b>35</b> =3500K <b>40</b> =4000K	<b>CZ14</b> =120-277v, 14W 1100lm <b>CZ20</b> =120-277v, 20W 2265lm <b>CZ28</b> =120-277v, 28W 3000lm <b>AD14</b> =350ma, 14.5W,1000lm  <b>C1</b> =0-10V dimming, 1%, 120-277v <b>C2</b> =TRIAC/ELV 2-wire, 3% 120v (Lead/Trail Edge) <b>E1</b> =EldoLED 0-10V Logarithmic Dim, 0.1%, 120-277v <b>E2</b> =EldoLED DALI, 0.1%, 120-277v <b>E3</b> =EldoLED 0-10V Linear Dim, 0.1%, 120-277v <b>L2</b> =Ltrn Hi-lume 1% 2-wr LED driver (120v fwd phase) <b>L3</b> =Lutron Hi-lume 1% 3-wire/EcoSystem, 120-277v <b>LTB</b> =Lutron Hi-lume 1% EcoSys LED driver, 1%, 120-277v, Soft-on, Fade-to-Black	<b>20</b> = 20 Degrees <b>40</b> = 40 Degrees	<b>P14</b> = White <b>BLK</b> =Black <b>PXX</b> = SLI Color <b>XXXX</b> = RAL # <b>CST</b> = Custom	<b>91A</b> = Solite	<b>JB</b> = Junction Box Cover Shroud <b>PM</b> = Pendant Mount <b>Pendant Mount Length</b> 12" 24" 36" 48" CST <b>ST</b> = Shower Trim* *Lens required
<b>AD</b> = Ambient Dim Max 3000K-1900K					



Patent Pending.  
 These specifications subject to change without notice.

**www.specialtylightingindustries.com**  
 1306 Doris Avenue, Ocean, NJ 07712 USA  
 800.462.7812 732.517.0800 FAX:732.517.0971