

Single lamp, solid state light engine, recessed downlight with nominal 4" (100mm) square trim, 3"(75mm) aperture and optional glass diffuser. Downlighting in medium to high ceiling heights typically found in residential, commercial and retail applications. Suitable for new or existing construction in sheetrock ceilings. AmbientDim™ provides Superior CRI at all dimming levels.

SPECIFICATIONS

HOUSING

- Precision die-formed heavy gauge aluminum

MOUNTING

- Install from below in sheetrock ceiling

ELECTRICAL

- Integral dimmable electronic driver with internal short circuit protection

LAMP

- AmbientDim™ LED supplied with fixture

SOCKET

- Precision aluminum yoke with CNC machined lampholder assembly

LENS

- Interchangeable reflector provides multiple beam patterns
- Optional borosilicate lenses available for aperture


TRIM

- Flanged or flangeless, one piece die-cast aluminum pyramidal shield
- ST is flanged trim fully sealed and gasketed. Aperture lens required

FINISH

- Black powder paint housing
- Aperture trim available in black and white as standard
- Solid wood, additional colors, RAL palette, custom finishes available

LABELS

-  US tested to UL standards 1598, Damp location, Wet with ST trim

JOB: _____

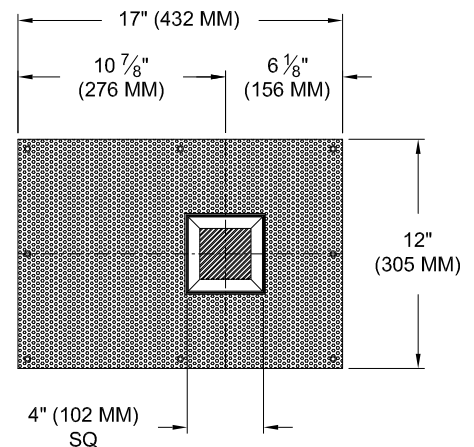
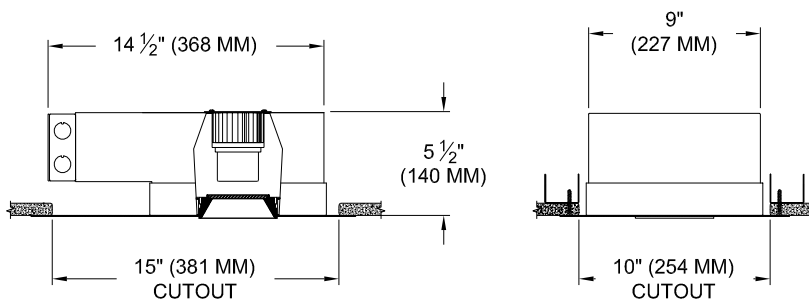
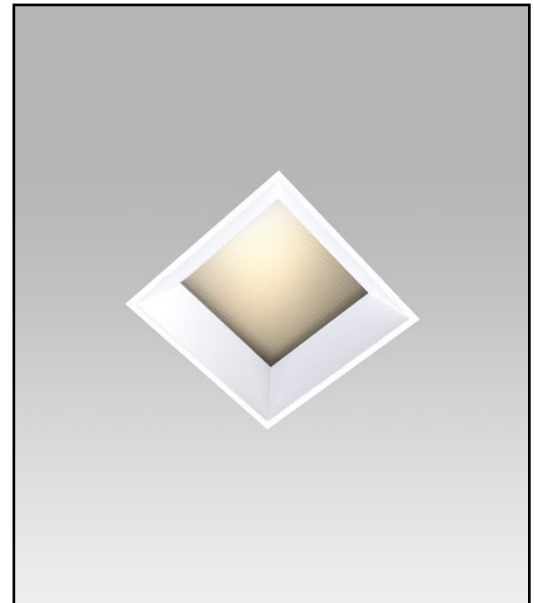
SPECIFIER: _____

TYPE: _____

QUANTITY: _____

SIGNATURE: _____

 AmbientDim™



ORDERING INFORMATION

| 4017-LED-AD-PH | TRIM | SOURCE / DRIVER | BEAMSPREAD | TRIM FINISH | APERTURE LENS |
|---|---|--|--|---|---|
| | | AD14 / | | | |
| Plaster Housing Ambient Dimming LED *CCT Max 3000K-1900K | FT=Flanged Trim ST=Shower Trim* ZT=Zero Trim *Aperture lens required | AD14=350ma, 14.5W, 1000lm S1 =0-10V dimming, 1%, 120-277v T1 =TRIAC/ELV 2-wire, 3% 120v (Lead/Trail Edge) E1 =EldoLED 0-10V Logarithmic Dim, 0.1%, 120-277v E2 =EldoLED DALI, 0.1%, 120-277v E3 =EldoLED 0-10V Linear Dim, 0.1%, 120-277v L2 =Ltrn Hi-lume 1% 2-wr LED driver (120v fwd phase) L3 =Lutron Hi-lume 1% 3-wire/EcoSystem, 120-277v LTB =Lutron Hi-lume 1% EcoSys LED driver, 1%, 120-277v, Soft-on, Fade-to-Black | 15 = 15 Degrees 24 = 24 Degrees 38 = 38 Degrees 60 = 60 Degrees | P14 = White BLK=Black PXX = SLI Color WXX = Wood XXXX = RAL # CST = Custom | Blank= None 90A = Clear 91A = Solite 92A = Supertex 93A = Frosted |



Patent Pending.
These specifications subject to change without notice.

www.specialtylightingindustries.com
1306 Doris Avenue, Ocean, NJ 07712 USA
800.462.7812 732.517.0800 FAX:732.517.0971