

Single lamp, low-voltage halogen, shallow housing recessed downlight with nominal 3" square aperture and optional glass diffuser.

TYPE: \_\_\_\_\_

JOB: \_\_\_\_\_

SPECIFIER: \_\_\_\_\_

**SPECIFICATIONS**

**HOUSING** - Precision die-formed heavy gauge aluminum with adjustable mounting bracket and die-cast ceiling collar.

**MOUNTING** - Recessed in architectural ceiling.

**ELECTRICAL** - External thermoprotector. For use with remote transformer. Transformer should be sized for the run length and ordered separately.

**LAMP** - MR-16, 50w max. supplied by others.

**LABELS** - CSA-C,US, Damp location, Wet with ST trim.

**SOCKET** - Precision die-formed aluminum socket plate. G4/G6 ceramic socket with high temperature, teflon coated lead wires.

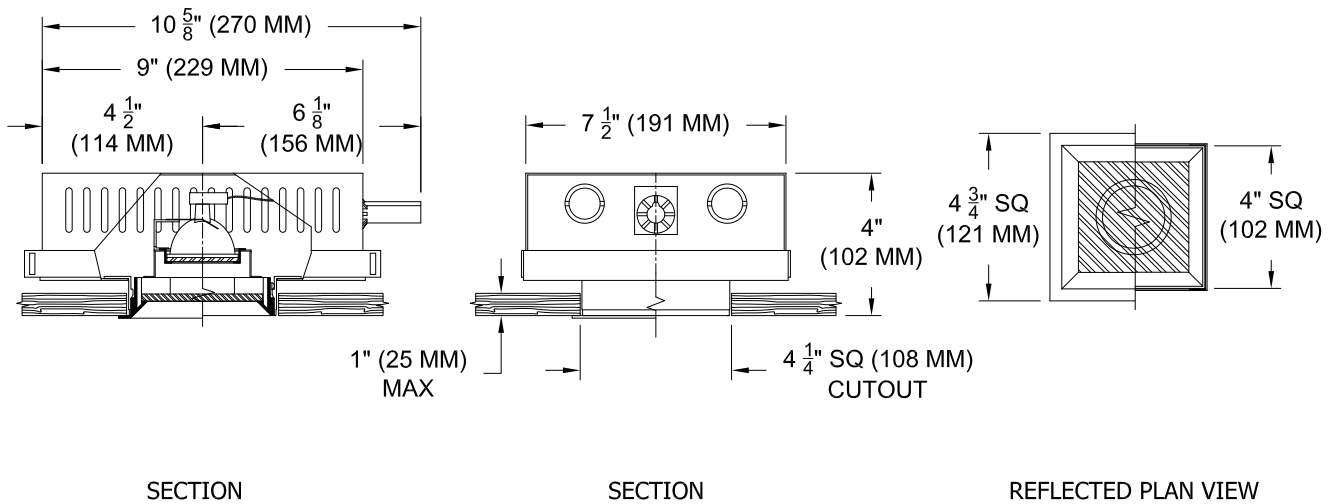
**LENS** - Clear pyrex safety lens. Optional borosilicate lenses available for lampholder and aperture.

**TRIM** - Flanged or flangeless, one piece die-cast aluminum square with 3" aperture. ST trim fully sealed and gasketed.

**FINISH** - Black powder paint housing. Aperture trim available in black and white as standard. Solid wood, additional colors and RAL palette available. Consult factory for custom finishes.

**APPLICATIONS**

General downlighting in low to medium ceiling heights typically found in residential, commercial and retail applications. Suitable for new construction. Zero trim can be used with in solid surface ceilings such as wood, stone, metal panel or glass..



**ORDERING INFORMATION**

HOUSING	TRIM	TRANSFORMER		LAMP LENS	TRIM FINISH	APERTURE LENS
4014-MR16-TUH		RX /				
Thin Universal Housing	FT = Flanged Trim ST = Shower Trim ZT = Zero Trim	RX = Remote	120 277	90L = Clear 91L = Solite 92L = Supertex 93L = Frosted 95L = Full Prismatic	P14 = White PXX = SLI Color WXX = Wood XXXX = RAL # CST = Custom	Blank = None 91A = Solite 92A = Supertex 93A = Frosted 95A = Full Prismatic



**SPECIALTY LIGHTING INDUSTRIES, INC.**

NOTE: These specifications subject to change without notice.

[www.specialtylightingindustries.com](http://www.specialtylightingindustries.com)

1306 DORIS AVENUE, OCEAN, NJ 07712 USA 800.462.7812 732.517.0800 FAX 732.517.0971 © 02/14