

Single lamp, solid state light engine, recessed downlight with nominal 4"(100mm) square trim with 3"(75mm) aperture and optional glass diffuser. Downlighting in medium to high ceiling heights typically found in residential, commercial and retail applications. Suitable for new construction.

SPECIFICATIONS

HOUSING

- Precision die-formed heavy gauge aluminum with adjustable mounting bracket and die-cast ceiling collar

MOUNTING

- Recessed in architectural ceiling

ELECTRICAL

- Integral dimmable electronic driver with internal short circuit protection
- 120v-277v primary, compatible with 0-10v dimmers / Available for 120 phase control and Lutron.

LAMP

- Xicato LED supplied with fixture
- Available in 2700 thru 4000K color temperature and 80 or 98 CRI

SOCKET

- Usocket™** allows easy field replacement of light engine

LENS

- Interchangeable reflector provides multiple beam patterns
- Optional borosilicate lenses available for aperture


TRIM

- Flanged or flangeless 1 piece die-cast aluminum pyramidal shield with 3" square aperture
- ST trim fully sealed and gasketed

FINISH

- Black powder paint housing
- Aperture trim available in black and white as standard
- Solid wood, additional colors, RAL palette, custom finishes available

LABELS

-  , US tested to UL standards 1598, Damp location, Wet with ST trim

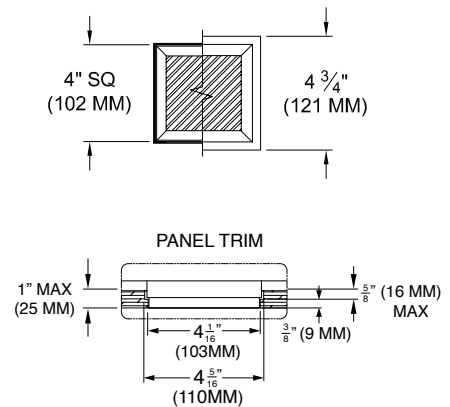
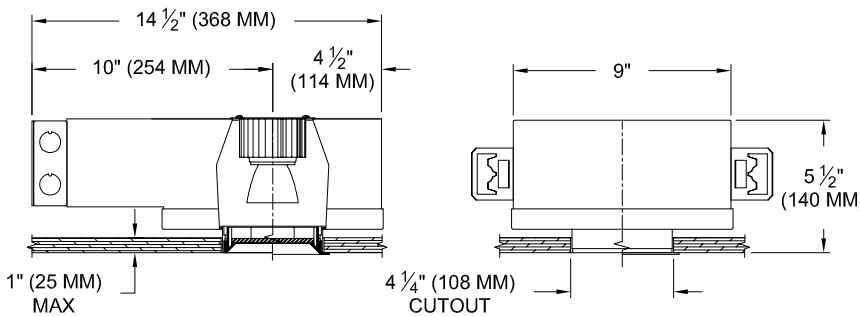
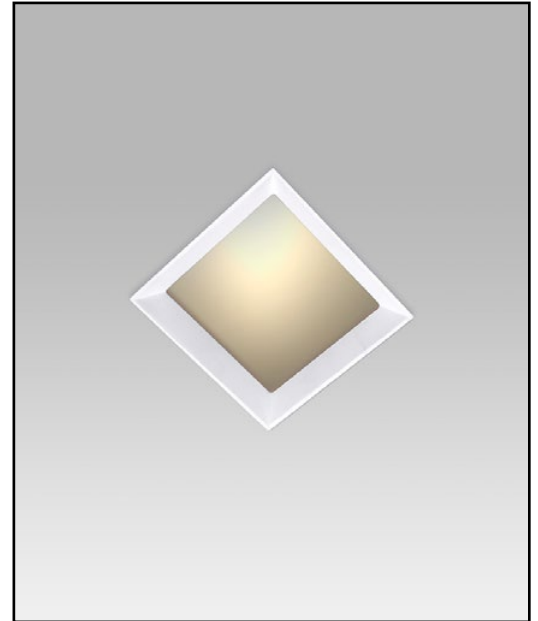
JOB: _____

SPECIFIER: _____

TYPE: _____

QUANTITY: _____

SIGNATURE: _____



ORDERING INFORMATION

4014-LEDX-UH	TRIM	DRIVER	BEAMSPREAD	TRIM FINISH	APERTURE LENS
Universal Housing 8 = 80CRI 27 = 2700K 9 = 98CRI 30 = 3000K 35 = 3500K 40 = 4000K	FT=Flanged Trim PT=Panel Trim** ST=Shower Trim* ZT=Zero Trim **WXX Only *Aperture lens required	XT8 = 120v-277v, 8W 800lm XT12 = 120v-277v, 12W 1055lm XT17 = 120v-277v, 17W 1400lm XT26** = 120v-277v, 26W 2000lm *Add ELDO for EldoLED 0-10V Dimming, *DM2 for 2 wire dimming, *LT2, LT3, LT5 for Lutron 2 wr, Lutron 3 wr, Lutron 5 wr dimming, *LTB for Lutron Fade-to-Black	20 = 20 Degrees 30 = 30 Degrees 40 = 40 Degrees	P14 = White BLK=Black PXX = SLI Color WXX = Wood XXXX = RAL # CST = Custom	Blank= None 90A = Clear 91A = Solite 92A = Supertex 93A = Frosted

**Contact Factory to request separate cutsheet

Driver specs based on 98 CRI. [Click to View 80 CRI driver specs](#)



Patent Pending.
These specifications subject to change without notice.

www.specialtylightingindustries.com
 1306 Doris Avenue, Ocean, NJ 07712 USA
 800.462.7812 732.517.0800 FAX:732.517.0971