

Single lamp, solid state light engine, recessed downlight with nominal 4"(100mm) square trim with 3"(75mm) aperture and optional glass diffuser. Downlighting in medium to high ceiling heights typically found in residential, commercial and retail applications. Suitable for new or existing construction in sheetrock ceilings.

## SPECIFICATIONS

### HOUSING

- Precision die-formed heavy gauge aluminum with flangeless trim and integrated screed edge

### MOUNTING

- Install from below in sheetrock ceiling

### ELECTRICAL

- Integral dimmable electronic driver with internal short circuit protection
- 120v-277v primary, compatible with 0-10v dimmers / Available for 120 phase control and Lutron.

### LAMP

- Xicato LED supplied with fixture
- Available in 2700 thru 4000K color temperature and 80 or 98 CRI

### SOCKET

- Usocket™** allows easy field replacement of light engine

### LENS

- Interchangeable reflector provides multiple beam patterns
- Optional borosilicate lenses available for aperture


### TRIM

- Flanged or flangeless 1 piece die-cast aluminum pyramidal shield with 3" square aperture
- ST trim fully sealed and gasketed

### FINISH

- Black powder paint housing
- Aperture trim available in black and white as standard
- Solid wood, additional colors, RAL palette, custom finishes available

### LABELS

-  , US tested to UL standards 1598, Damp location, Wet with ST trim

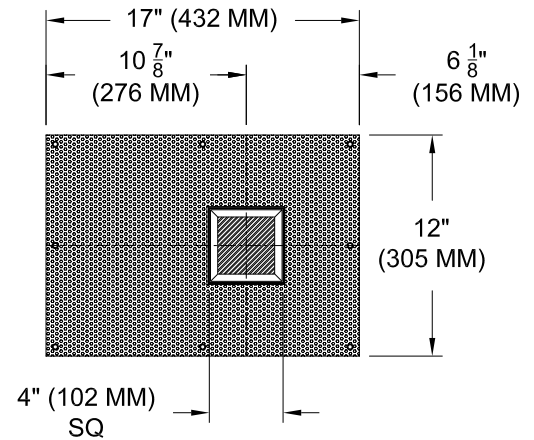
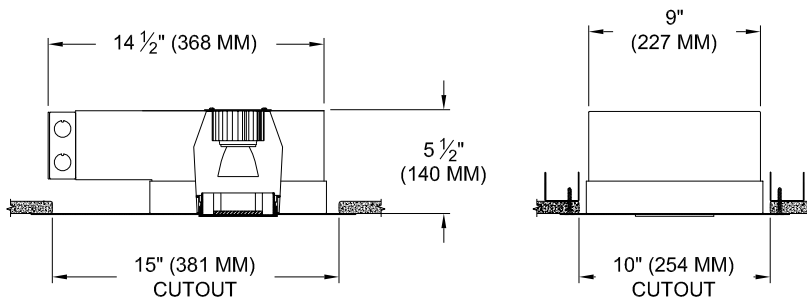
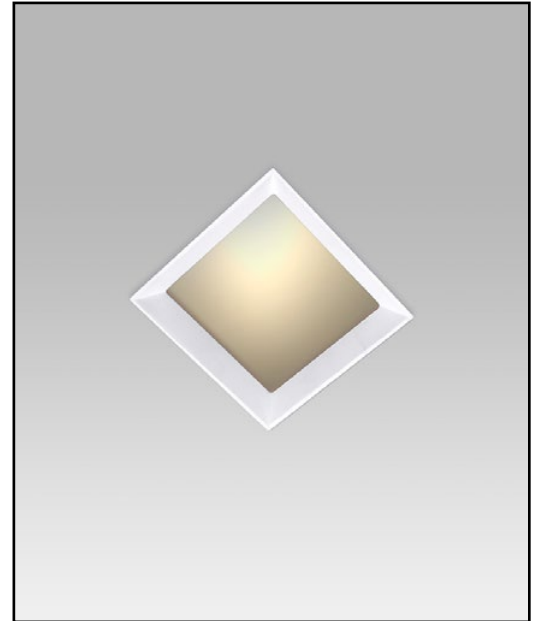
**JOB:** \_\_\_\_\_

**SPECIFIER:** \_\_\_\_\_

**TYPE:** \_\_\_\_\_

**QUANTITY:** \_\_\_\_\_

**SIGNATURE:** \_\_\_\_\_



## ORDERING INFORMATION

| 4014-LEDX-PH  | TRIM  | DRIVER  | BEAMSPREAD  | TRIM FINISH   | APERTURE LENS   |
|---|---|---|---|---|---|
| Plaster Housing<br>8 = 80CRI 27 = 2700K<br>9 = 98CRI 30 = 3000K<br>35 = 3500K<br>40 = 4000K | FT=Flanged Trim<br>ST=Shower Trim*<br>ZT=Zero Trim<br><br>*Aperture lens required | XT8 = 120v-277v, 8W 800lm<br>XT12 = 120v-277v, 12W 1055lm<br>XT17 = 120v-277v, 17W 1400lm<br>XT26** = 120v-277v, 26W 2000lm<br><br>*Add ELDO for EldoLED 0-10V Dimming,<br>*DM2 for 2 wire dimming, *LT2, LT3, LT5 for<br>Lutron 2 wr, Lutron 3 wr, Lutron 5 wr dimming,<br>*LTB for Lutron Fade-to-Black | 20 = 20 Degrees<br>30 = 30 Degrees<br>40 = 40 Degrees | P14 = White<br>BLK=Black<br>PXX = SLI Color<br>WXX = Wood<br>XXXX = RAL #<br>CST = Custom | Blank= None<br>90A = Clear<br>91A = Solite<br>92A = Supertex<br>93A = Frosted |

\*\*Contact Factory to request separate cutsheet

Driver specs based on 98 CRI. [Click to View 80 CRI driver specs](#)



Patent Pending.  
These specifications subject to change without notice.

**www.specialtylightingindustries.com**  
1306 Doris Avenue, Ocean, NJ 07712 USA  
800.462.7812 732.517.0800 FAX:732.517.0971