

Single lamp, solid state light engine, recessed down light with nominal 3" (50mm) square aperture and optional glass diffuser.

TYPE: \_\_\_\_\_

JOB: \_\_\_\_\_

SPECIFIER: \_\_\_\_\_

**SPECIFICATIONS**

**HOUSING** - Precision die-formed heavy gauge aluminum with flangeless trim and integrated screed edge.

**MOUNTING** - Recessed in architectural ceiling.

**ELECTRICAL** - Integral dimmable electronic driver with internal short circuit protection. 120v-277v primary, compatible with 0-10v dimmers.

**LAMP** - Xicato LED supplied with fixture. See performance information for available Color temperature and CRI.

**LABELS** - CSA-C,US, Damp location, Wet with ST. ASTM E283 Airtight, Suitable for direct contact with insulation.

**SOCKET** - Precision aluminum yoke with CNC machined lampholder assembly. Die-formed aluminum yoke. Ulsocket™ allows easy field replacement of light engine.

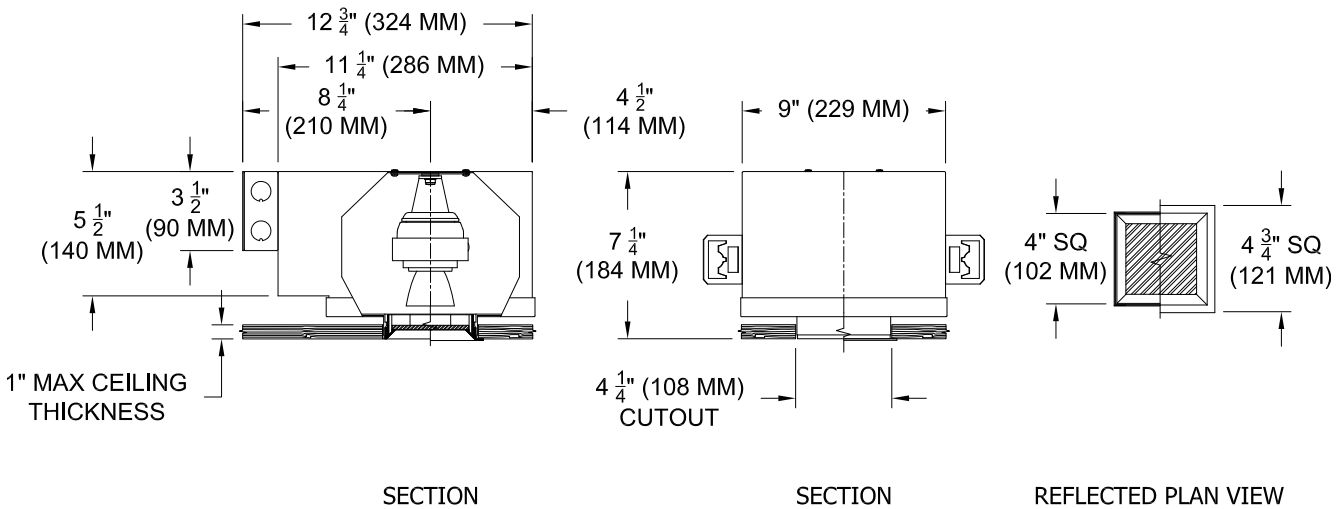
**LENS** - Interchangeable reflector provides multiple beam patterns. Optional borosilicate lenses available for aperture.

**TRIM** - Flanged or flangeless, one piece die-cast aluminum pyramidal shield. ST trim fully sealed and gasketed.

**FINISH** - Black powder paint housing. Aperture trim available in black and white as standard. Solid wood, additional colors and RAL palette available. Consult factory for custom finishes.

**APPLICATIONS**

General downlighting in medium to high ceiling heights typically found in residential, commercial and retail applications. Suitable for new construction. Zero trim can be used with in solid surface ceilings such as wood, stone, metal panel or glass.



**ORDERING INFORMATION**

HOUSING	TRIM	DRIVER	BEAMSPREAD	TRIM FINISH	APERTURE LENS
4014-LEDX_-AUH					
Universal Housing 8 = 80CRI 27 = 2700K 9 = 95CRI 30 = 3000K 35 = 3500K 40 = 4000K	FT = Flanged Trim ST = Shower Trim ZT = Zero Trim	125 = 120v-277v HE 127 = 120v-277v HO 1210 = 120v-277v VHO add 2W for phase control	20 = 20 Degrees 30 = 30 Degrees 40 = 40 Degrees	P14 = White PXX = SLI Color WXX = Wood XXXX = RAL # CST = Custom	Blank = None 91A = Solite 92A = Supertex 93A = Frosted 95A = Full Prismatic

[CLICK HERE](#) for LED and driver performance information including wattage and lumen output or go to [www.specialtylightingindustries.com](http://www.specialtylightingindustries.com).



**SPECIALTY LIGHTING INDUSTRIES, INC.**

NOTE: These specifications subject to change without notice.

[www.specialtylightingindustries.com](http://www.specialtylightingindustries.com)

1306 DORIS AVENUE, OCEAN, NJ 07712 USA 800.462.7812 732.517.0800 FAX 732.517.0971 © 09/14