

Single lamp, solid state light engine, recessed down light with nominal 3" (50mm) square aperture and optional glass diffuser.

TYPE: _____

JOB: _____

SPECIFIER: _____

SPECIFICATIONS

HOUSING - Precision die-formed heavy gauge aluminum with flangeless trim and integrated screed edge.

MOUNTING - Install from below in sheetrock ceiling.

ELECTRICAL - Integral dimmable electronic driver with internal short circuit protection. 120v-277v primary, compatible with 0-10v dimmers.

LAMP - BridgeLux LED supplied with fixture. Available in 2700 or 3000K color temperature and 80 or 97 CRI.

LABELS - CSA-C,US, Damp location, ASTM E283 Airtight, Suitable for direct contact with thermal insulation.

SOCKET - LED module can be replaced in the field.

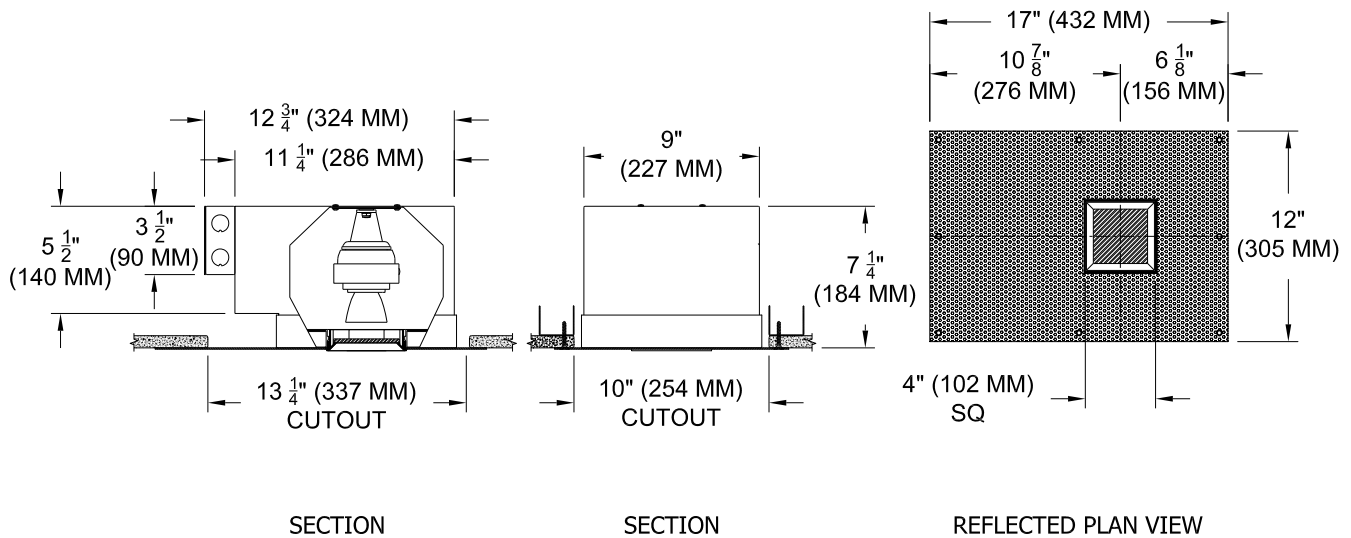
LENS - Interchangeable reflector provides multiple beam patterns. Optional borosilicate lenses available for aperture.

TRIM - Flangeless, one piece die-cast aluminum pyramidal shield.

FINISH - Black powder paint housing. Aperture trim available in black and white as standard. Solid wood, additional colors and RAL palette available. Consult factory for custom finishes.

APPLICATIONS

General downlighting in medium to high ceiling heights typically found in residential, commercial and retail applications. Suitable for new or existing construction in sheetrock ceilings.



ORDERING INFORMATION

HOUSING	TRIM	DRIVER	BEAMSPREAD	TRIM FINISH	APERTURE LENS
4014-LEDB_-APH					
Plaster Flange Housing 8 = 80CRI 27 = 2700K 9 = 97CRI 30 = 3000K 35 = 3500K 40 = 4000K	ZT = Zero Trim	125 = 120v-277v HE 127 = 120v-277v HO 1210 = 120v-277v VHO	15 = 15 Degrees 24 = 24 Degrees 38 = 38 Degrees 60 = 60 Degrees	P14 = White PXX = SLI Color WXX = Wood XXXX = RAL # CST = Custom	Blank = None 91A = Solite 92A = Supertex 93A = Frosted 95A = Full Prismatic

[CLICK HERE](#) for LED and driver performance information including wattage and lumen output or go to www.specialtylightingindustries.com.



SPECIALTY LIGHTING INDUSTRIES, INC.

NOTE: These specifications subject to change without notice.

www.specialtylightingindustries.com

1306 DORIS AVENUE, OCEAN, NJ 07712 USA 800.462.7812 732.517.0800 FAX 732.517.0971 © 09/14