

Single lamp, compact fluorescent, recessed accent light with nominal 6.5" square aperture, beveled trim and 5.5" glass diffuser.

TYPE: _____

JOB: _____

SPECIFIER: _____

SPECIFICATIONS

HOUSING - Precision die-formed heavy gauge aluminum with flangeless trim and integrated screed edge. Airtight construction suitable for direct contact with insulation.

MOUNTING - Install from below in ins. sheetrock ceiling.

ELECTRICAL - Integral electronic, thermally protected ballast. 120v, 277v, (220v 240v, available). Dimming ballast available.

LAMP - Triple tube compact fluorescent

LABELS - CSA-C,US, Damp location

SOCKET - GX24q PBT socket with high temperature, teflon coated lead wires.

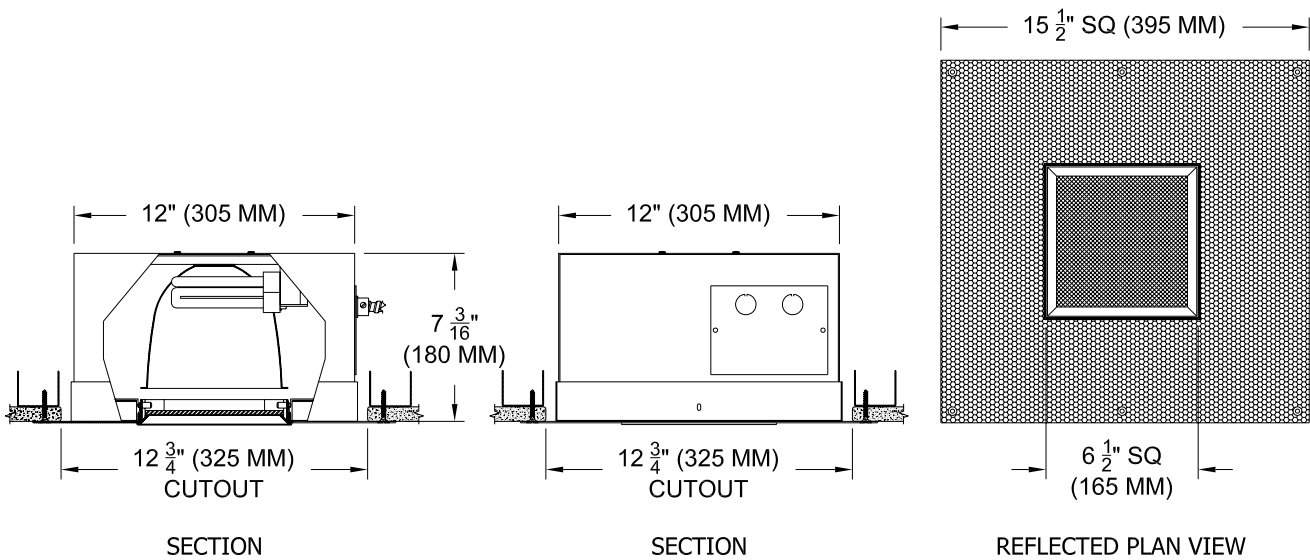
LENS - Solite borosilicate glass. Others available consult factory

TRIM - Flangeless, extruded aluminum regressed lensed trim.

FINISH - Black powder paint housing. Aperture trim available in black and white as standard. Solid wood, additional colors and RAL palette available. Consult factory for custom finishes.

APPLICATIONS

Downlighting in low to medium ceiling heights typically found in residential, commercial and retail applications. Suitable for new or existing construction in sheetrock ceilings.



ORDERING INFORMATION

HOUSING	TRIM	VOLTAGE	TRIM FINISH	APERTURE LENS
4014-CF__-APH	ZT			
Airtight Plaster Flange Housing. 18 = 18 Watt 24 = 24 Watt 32 = 32 Watt	ZT = Zero Trim	120 220 240 277 add DM for dimming	P14 = White PXX = SLI Color WXX = Wood XXXX = RAL # CST = Custom	91A = Solite 92A = Supertex 93A = Sandblasted 95A = Full Prismatic 99A = White Opal



SPECIALTY LIGHTING INDUSTRIES, INC.

NOTE: These specifications subject to change without notice.

www.specialtylightingindustries.com

1306 DORIS AVENUE, OCEAN, NJ 07712 USA 800.462.7812 732.517.0800 FAX 732.517.0971 © 06/10