

Single lamp, low-voltage halogen, recessed downlight, nominal 4"(100mm) square trim with 2"(50mm) aperture and optional glass diffuser. Downlighting in low to medium ceiling heights typically found in residential, commercial and retail applications. Suitable for new or existing construction in sheetrock ceilings.

## SPECIFICATIONS

### HOUSING

- Precision die-formed heavy gauge aluminum

### MOUNTING

- Install from below in sheetrock ceiling

### ELECTRICAL

- Integral dimmable electronic or toroidal magnetic transformer
- 120v primary lead, (220v, 240v, 277v available), 11.75v secondary with overload protection
- External thermoprotector

### LAMP

- MR-16, 50w max. supplied by others

### SOCKET

- CNC machined lampholder assembly
- G4/G6 ceramic socket with high temperature, teflon coated lead wires

### LENS

- Clear pyrex safety lens.
- Optional borosilicate lenses available for lampholder and aperture


### TRIM

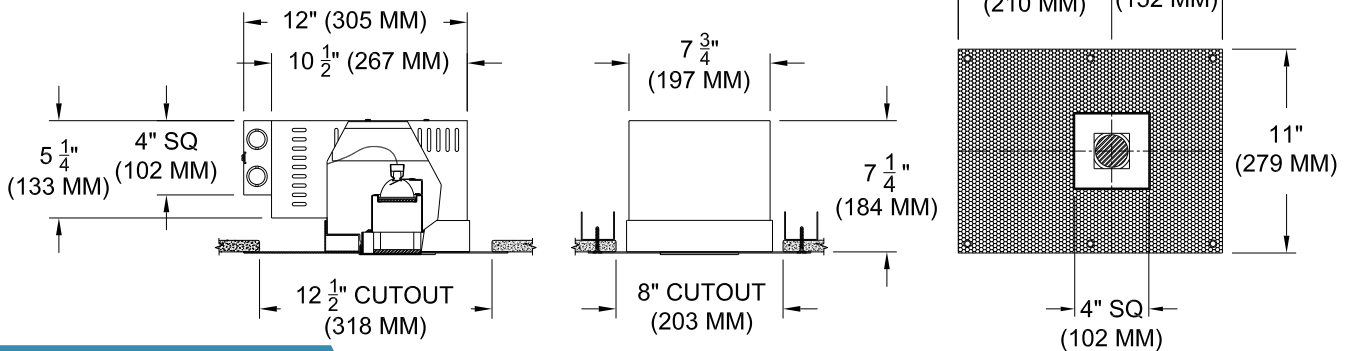
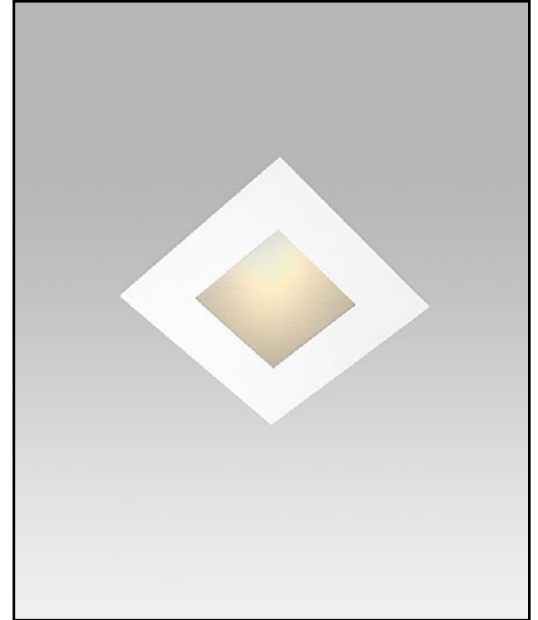
- Flanged or flangeless, 1 piece die-cast aluminum square plate with 2" aperture
- ST is flanged trim fully sealed and gasketed. Aperture lens required

### FINISH

- Black powder paint housing
- Aperture trim available in black and white as standard
- Solid wood, additional colors, RAL palette, custom finishes available

### LABELS

-  , US tested to UL standards 1598, Damp location, Wet with ST trim,



## ORDERING INFORMATION

MODEL	TRIM	TRANSFORMER	LAMP LENS	TRIM FINISH	APERTURE LENS
4012-MR16-PH					
Plaster Housing	<b>FT</b> =Flanged Trim <b>ST</b> =Shower Trim* <b>ZT</b> =Zero Trim *Aperture lens required	<b>TX</b> =Magnetic / 120v <b>EX</b> =Electronic / 220v <b>EXS</b> =Elect. SORAA* <b>RX</b> =Remote / 240v 277v *Standard 120v	<b>90L</b> = Clear-Standard <b>91L</b> = Solite <b>92L</b> = Supertex <b>93L</b> = Frosted <b>97L</b> = Black Hexcell <b>98L</b> = UV	<b>P14</b> = White <b>BLK</b> =Black <b>PXX</b> = SLI Color <b>WXX</b> = Wood <b>XXXX</b> = RAL # <b>CST</b> = Custom	<b>Blank</b> = None <b>91A</b> = Solite <b>92A</b> = Supertex <b>93A</b> = Frosted <b>95A</b> = Full Prismatic



Patent Pending.  
These specifications subject to change without notice.

[www.specialtylightingindustries.com](http://www.specialtylightingindustries.com)  
 1306 Doris Avenue, Ocean, NJ 07712 USA  
 800.462.7812 732.517.0800 FAX:732.517.0971