

Single lamp, low-voltage halogen, recessed downlight, nominal 4"(100mm) square trim with 2"(50mm) aperture and optional glass diffuser. Downlighting in low to medium ceiling heights typically found in residential, commercial and retail applications. Suitable for new construction.

SPECIFICATIONS

HOUSING

- Precision die-formed heavy gauge aluminum
- ≈ Airtight construction suitable for direct contact with insulation

MOUNTING

- Recessed in architectural ceiling

ELECTRICAL

- Integral dimmable electronic or toroidal magnetic transformer
- 120v primary lead, (220v, 240v, 277v available), 11.75v secondary with overload protection
- External thermoprotector

LAMP

- MR-16, 50w max. supplied by others

SOCKET

- CNC machined lampholder assembly
- G4/G6 ceramic socket with high temperature, teflon coated lead wires

LENS

- Clear pyrex safety lens
- Optional borosilicate lenses available for lampholder and aperture


TRIM

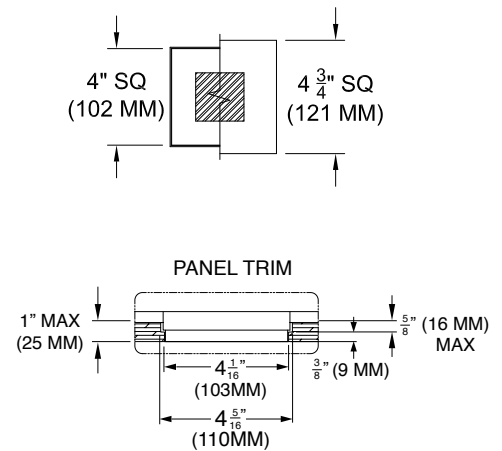
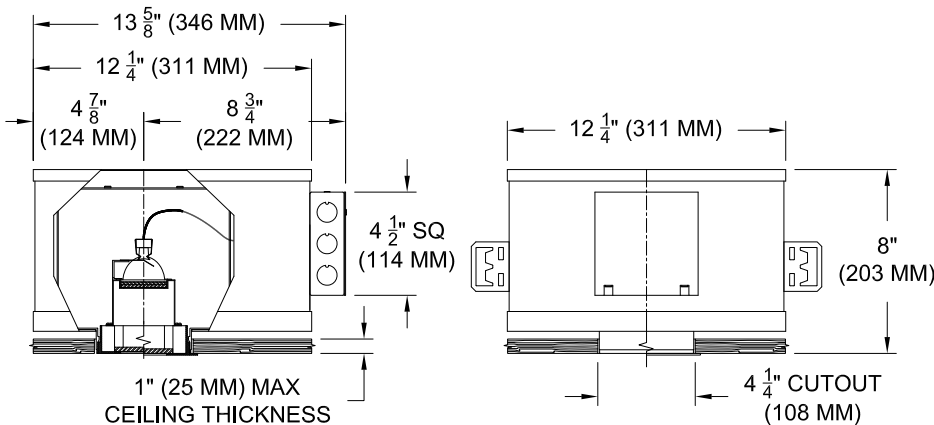
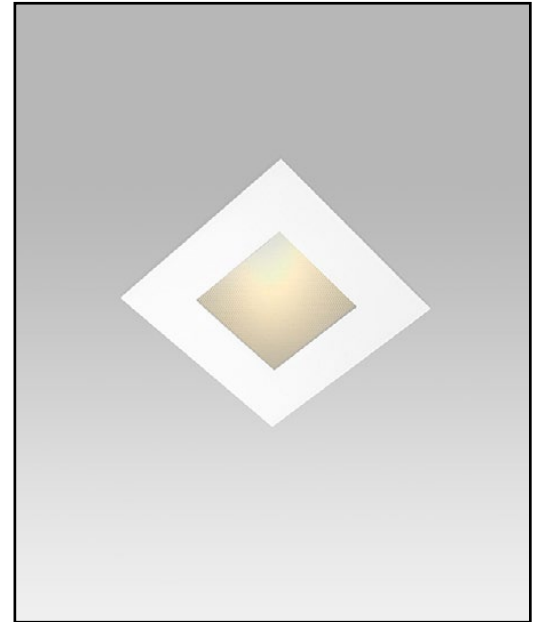
- Flanged or flangeless, one piece die-cast aluminum square plate with 2" aperture
- ST is flanged trim fully sealed and gasketed. Aperture lens required

FINISH

- Black powder paint housing
- Aperture trim available in black and white as standard
- Solid wood, additional colors, RAL palette, custom finishes available

LABELS

-  , US tested to UL standards 1598, Damp location, Wet with ST trim, IC/Airtight,



ORDERING INFORMATION

MODEL	TRIM	TRANSFORMER	LENS HOLDER	LAMP LENS	TRIM FINISH	APERTURE LENS
4012-MR16-AUH						
Airtight Universal Housing	FT =Flanged Trim PT =Panel Trim** ST =Shower Trim* ZT =Zero Trim **WXX Only *Aperture lens required	TX =Magnetic / 120v EX =Electronic / 220v EXS =Elect. SORAA* RX =Remote / 240v 277v *Standard 120v	CL =Conical FL =Flat IL =Indexed* *92L Only	90L = Clear-Standard 91L = Solite 92L = Supertex 93L = Frosted 97L = Black Hexcell 98L = UV	P14 = White BLK =Black PXX = SLI Color WXX = Wood XXXX = RAL # CST = Custom	Blank = None 91A = Solite 92A = Supertex 93A = Frosted 95A = Full Prismatic



Patent Pending.
These specifications subject to change without notice.

www.specialtylightingindustries.com
1306 Doris Avenue, Ocean, NJ 07712 USA
800.462.7812 732.517.0800 FAX:732.517.0971