

Single lamp, low-voltage halogen, recessed down light with nominal 4" square aperture glass diffuser and flangless beveled trim. Suitable for install from below applications.

TYPE: _____
 JOB: _____

SPECIFICATIONS

HOUSING - Extruded aluminum with heat dissipating ceiling interface. Upper housing and junction box of precision die-formed heavy gauge aluminum.

MOUNTING - Recessed in sheetrock ceiling.

ELECTRICAL - Integral dimmable electronic transformer. 120v primary lead, (220v, 240v, 277v available), 11.75v secondary with overload protection. External thermoprotector. Remote transformer available.

LAMP - MR-16, 50w max. supplied by others.

SOCKET - Precision die formed aluminum socket plate. G4/G6 ceramic socket with high temperature, teflon coated lead wires.

LENS - Solite borosilicate glass. Others available consult factory

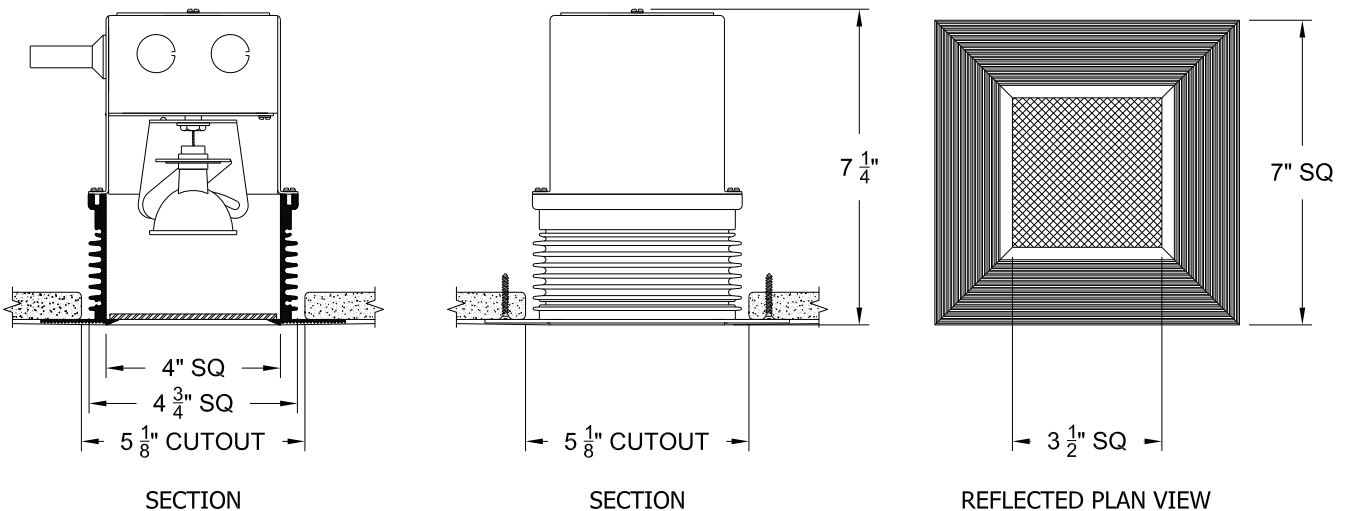
TRIM - Flangless regressed trim integral to housing.

FINISH - Powder paint on all surfaces available in black, white or RAL colors as standard. Consult factory for custom finishes.

LABELS - UL, C-UL

APPLICATIONS

The diffusing lens obscures the source without substantially altering the beam pattern. An alternative to low brightness accent lighting in retail, residential, or commercial applications where a different appearance is desired.



ORDERING INFORMATION

HOUSING	TRANSFORMER	TRIM FINISH	APERTURE LENS
4010-MR16-PH	/		
Plaster housing	EX = Electronic 120 RX = Remote 277	WHT = White BLK = Black XXXX = RAL # CST = Custom (supply chip)	91A = Solite* 92A = Supertex 93A = Sandblasted 95A = Full Prismatic <small>*STANDARD</small>



SPECIALTY LIGHTING INDUSTRIES, INC.

NOTE: These specifications subject to change without notice.

www.specialtylightingindustries.com

1306 DORIS AVENUE, OCEAN, NJ 07712 USA 800.462.7812 732.517.0800 FAX 732.517.0971 © 04/14