

Single lamp, low-voltage halogen, shallow housing recessed accent light, nominal 4" square trim with 2" (50mm) aperture and optional glass diffuser. Accent and down-lighting in low to medium ceiling heights typically found in residential, commercial and retail applications. Suitable for new or existing construction or in ceilings with limited recessing depth.

JOB: _____
SPECIFIER: _____
TYPE: _____
QUANTITY: _____
SIGNATURE: _____

SPECIFICATIONS

HOUSING

- Precision die-formed heavy gauge aluminum with flangeless trim and integrated screed edge

MOUNTING

- Install from below in sheetrock ceiling

ELECTRICAL

- Remote transformer required- sold separately
- Transformer should be sized for the run length
- External thermoprotector

LAMP

- MR-16, 50w max. supplied by others

SOCKET

- Precision die-formed aluminum socket plate
- G4/G6 ceramic socket with high temperature, teflon coated lead wires

LENS

- Clear pyrex safety lens. Optional borosilicate lenses available for lampholder and aperture


TRIM

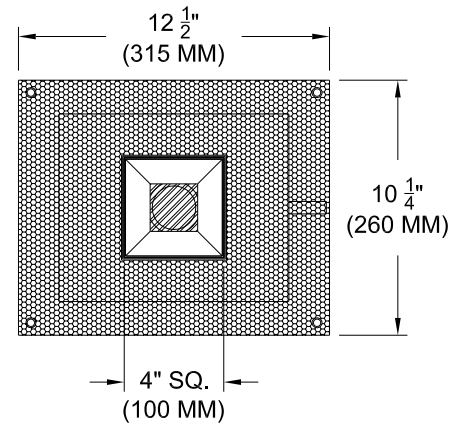
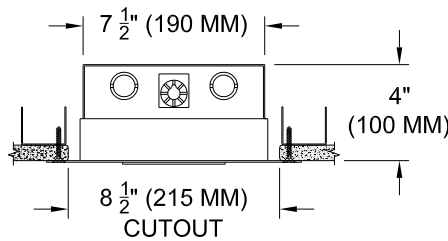
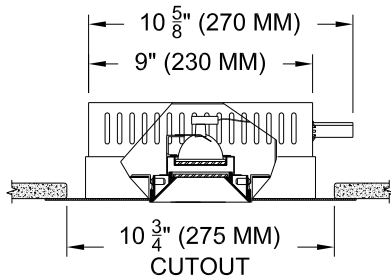
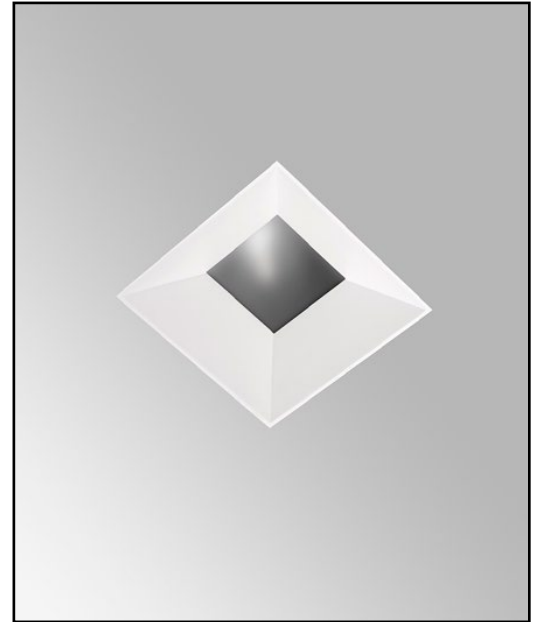
- Flanged or flangeless, one piece die-cast aluminum pyramidal shield
- ST trim fully sealed and gasketed

FINISH

- Black powder paint housing
- Aperture trim available in black and white as standard
- Solid wood, additional colors, RAL palette, custom finishes available

LABELS

-  , US tested to UL standards 1598, Damp location, Wet with ST trim,



ORDERING INFORMATION

| MODEL | TRIM | TRANSFORMER | LAMP LENS | FINISH | APERTURE LENS |
|----------------------|--|------------------------------------|---|--|--|
| 4009-MR16-TPH | | | | | |
| Thin Plaster Housing | FT = Flange Trim ST = Shower Trim* ZT =Zero Trim *Aperture lens required | RX =Remote / 120v / 277v | 90L = Clear 91L = Solite 92L = Supertex 93L = Frosted 97L = Black Hexcell 98L = UV | P14 = White BLK =Black PXX = SLI Color WXX = Wood XXXX = RAL # CST = Custom | Blank = None 91A = Solite 92A = Supertex 93A = Frosted 95A = Full Prismatic |



Patent Pending.
 These specifications subject to change without notice.

www.specialtylightingindustries.com
 1306 Doris Avenue, Ocean, NJ 07712 USA
 800.462.7812 732.517.0800 FAX:732.517.0971