

Single lamp, low-voltage halogen, recessed downlight, nominal 4" square trim with 2" (50mm) aperture and optional glass diffuser. Accent and downlighting in low to medium ceiling heights typically found in residential, commercial and retail applications. Suitable for new construction.

## SPECIFICATIONS

### HOUSING

- Precision die-formed heavy gauge aluminum
- ≈ Airtight construction suitable for direct contact with insulation

### MOUNTING

- Recessed in architectural ceiling

### ELECTRICAL

- Integral dimmable electronic or toroidal magnetic transformer
- 120v primary lead, (220v, 240v, 277v available), 11.75v secondary with overload protection

### LAMP

- MR-16, 50w max. supplied by others

### SOCKET

- CNC machined lampholder assembly
- G4/G6 ceramic socket with high temperature, teflon coated lead wires

### LENS

- Clear pyrex safety lens
- Optional borosilicate lenses available for lampholder and aperture


### TRIM

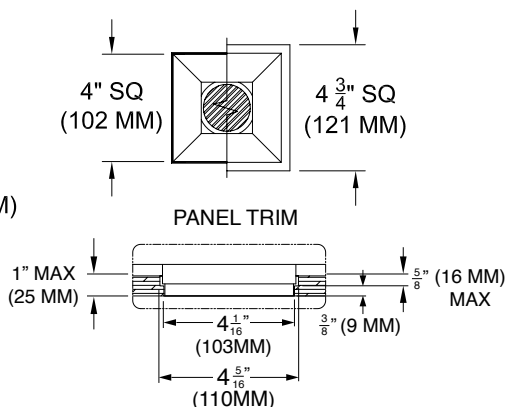
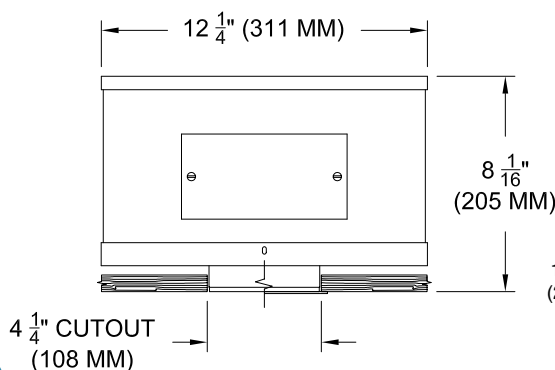
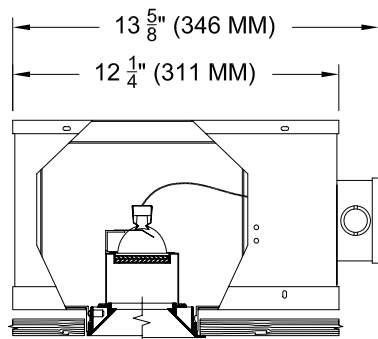
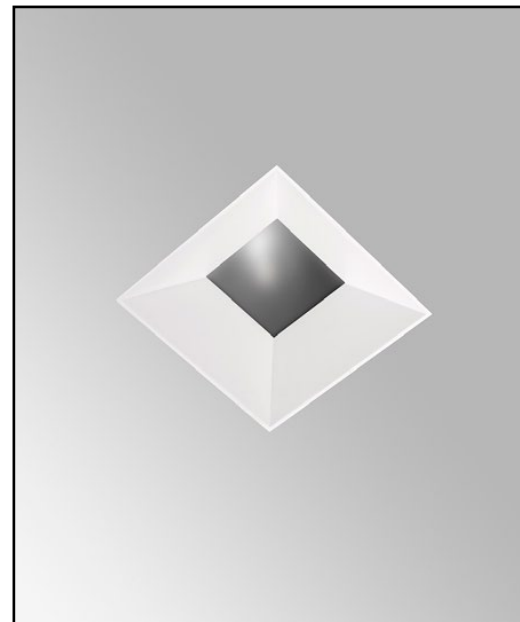
- Flanged or Flangeless, one piece die-cast aluminum pyramidal shield
- ST is flanged trim fully sealed and gasketed. Aperture lens required

### FINISH

- Black powder paint housing
- Aperture trim available in black and white as standard
- Additional standard colors, RAL palette, custom finishes available

### LABELS

-  , US tested to UL standards 1598, Damp location, Wet with ST trim, IC/Airtight,



## ORDERING INFORMATION

MODEL	TRIM	TRANSFORMER	LAMP LENS	TRIM FINISH	APERTURE LENS
4009-MR16-AUH					
Airtight Universal Housing	<b>FT</b> =Flanged Trim <b>PT</b> =Panel Trim** <b>ST</b> =Shower Trim* <b>ZT</b> =Zero Trim **WXX Only *Aperture lens required	<b>TX</b> =Magnetic / 120v <b>EX</b> =Electronic / 220v <b>EXS</b> =Elect. SORAA* <b>RX</b> =Remote / 240v 277v *Standard 120v	<b>90L</b> = Clear <b>91L</b> = Solite <b>92L</b> = Supertex <b>93L</b> = Frosted <b>97L</b> = Black Hexcell <b>98L</b> = UV	<b>P14</b> = White <b>BLK</b> =Black <b>PXX</b> = SLI Color <b>WXX</b> = Wood <b>XXXX</b> = RAL # <b>CST</b> = Custom	<b>Blank</b> = None <b>91A</b> = Solite <b>92A</b> = Supertex <b>93A</b> = Frosted <b>95A</b> = Full Prismatic



Patent Pending. These specifications subject to change without notice.

[www.specialtylightingindustries.com](http://www.specialtylightingindustries.com)  
 1306 Doris Avenue, Ocean, NJ 07712 USA  
 800.462.7812 732.517.0800 FAX:732.517.0971