

Single lamp, solid state light engine, recessed downlight, nominal 4" (100mm) square trim with 2" (50mm) aperture and optional glass diffuser. Downlighting in medium to high ceiling heights typically found in residential, commercial and retail applications. Suitable for new or existing construction in sheetrock ceilings.

## SPECIFICATIONS

### HOUSING

- Precision die-formed heavy gauge aluminum

### MOUNTING

- Install from below in sheetrock ceiling

### ELECTRICAL

- Integral dimmable electronic driver with internal short circuit protection

### LAMP

- Xicato LED supplied with fixture

### SOCKET

- CNC machined lampholder assembly

### LENS

- Interchangeable reflector provides multiple beam patterns
- Optional borosilicate lenses available for aperture


### TRIM

- Flanged or flangeless, one piece die-cast aluminum pyramidal shield
- ST is flanged trim fully sealed and gasketed. Aperture lens required

### FINISH

- Black powder paint housing
- Aperture trim available in black and white as standard
- Solid wood, additional colors, RAL palette, custom finishes available

### LABELS

-  , US tested to UL standards 1598, Damp location, Wet with ST trim

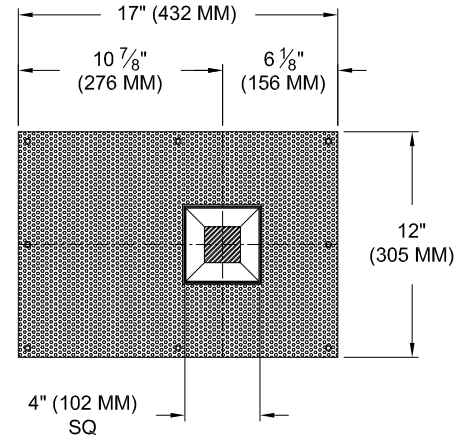
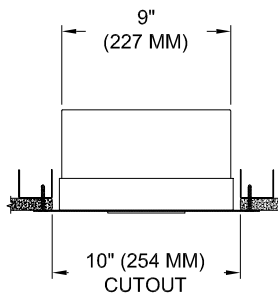
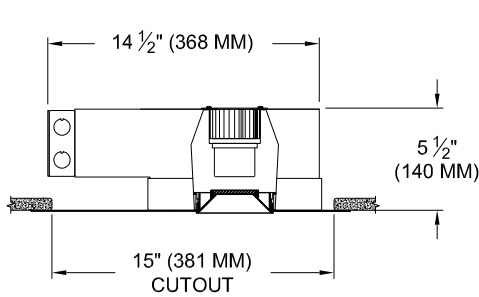
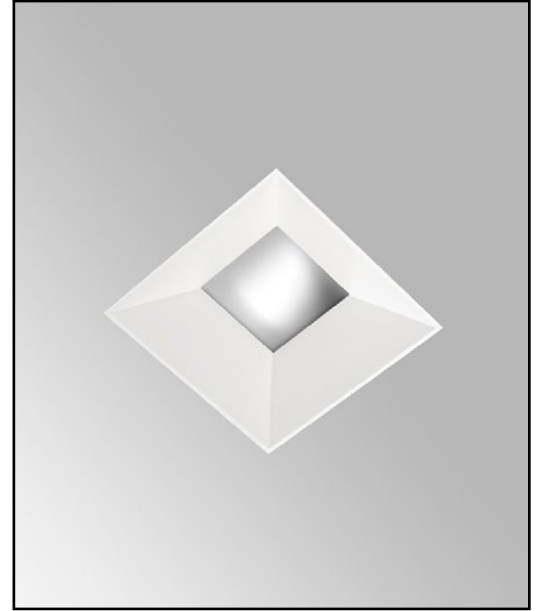
**JOB:** \_\_\_\_\_

**SPECIFIER:** \_\_\_\_\_

**TYPE:** \_\_\_\_\_

**QUANTITY:** \_\_\_\_\_

**SIGNATURE:** \_\_\_\_\_



## ORDERING INFORMATION

4009-LEDX-PH	TRIM	SOURCE / DRIVER	BEAMSPREAD	TRIM FINISH	APERTURE LENS
		/			
Plaster Housing <b>8</b> = 80CRI <b>27</b> = 2700K <b>9</b> = 98CRI <b>30</b> = 3000K <b>35</b> = 3500K <b>40</b> = 4000K	<b>FT</b> =Flanged Trim <b>ST</b> =Shower Trim* <b>ZT</b> =Zero Trim  *Aperture lens required	<b>XT8</b> = 120v-277v, 8W 800lm <b>XT12</b> = 120v-277v, 12W 1055lm <b>XT17</b> = 120v-277v, 17W 1400lm <b>XT26*</b> = 120v-277v, 26W 2000lm  <b>C1</b> =0-10V dimming, 1%, 120-277v <b>C2</b> =TRIAC/ELV 2-wire, 1% 120v (Lead/Trail Edge) <b>E1</b> =EldoLED 0-10V Logarithmic Dim, 0.1%, 120-277v <b>E2</b> =EldoLED DALI, 0.1%, 120-277v <b>E3</b> =EldoLED 0-10V Linear Dim, 0.1%, 120-277v <b>L2</b> =Lutron Hi-lume 1% 2-wire LED driver (120v forward phase) <b>LTB</b> =Lutron Hi-lume 1% EcoSys LED driver, 1%, 120-277v, Soft-on, Fade-to-Black	<b>20</b> = 20 Degrees <b>30</b> = 30 Degrees <b>40</b> = 40 Degrees	<b>P14</b> = White <b>BLK</b> =Black <b>PXX</b> = SLI Color <b>WXX</b> = Wood <b>XXXX</b> = RAL # <b>CST</b> = Custom	<b>Blank</b> = None <b>90A</b> = Clear <b>91A</b> = Solite <b>92A</b> = Supertex <b>93A</b> = Frosted

Driver specs based on 98 CRI. [Click to View 80 CRI driver specs](#)

\*Contact Factory to request separate cutsheet