

Multi-lamp, solid state light engine, recessed, accent and linear downlight, nominal 6" (152mm) wide aperture and acrylic lens. Used to illuminate low to medium ceiling heights as general lighting.

SPECIFICATIONS

HOUSING

- Extruded aluminum with seamless welded and ground end plates

MOUNTING

- Recessed in sheetrock ceiling

ELECTRICAL

- Integral dimmable electronic driver with internal short circuit protection
- 120v-277v primary, compatible with 0-10v dimmers
- Also available for 120v phase control

LAMP

- LED supplied with fixture

SOCKET

- Circuit board mounted to extruded aluminum heatsink
- Inline connectors allow removal and replacement

LENS

- Acrylic diffusing lens
- Others available consult factory

FINISH

- Custom finishes available

LABELS

-  , US tested to UL standards 1598, Damp location

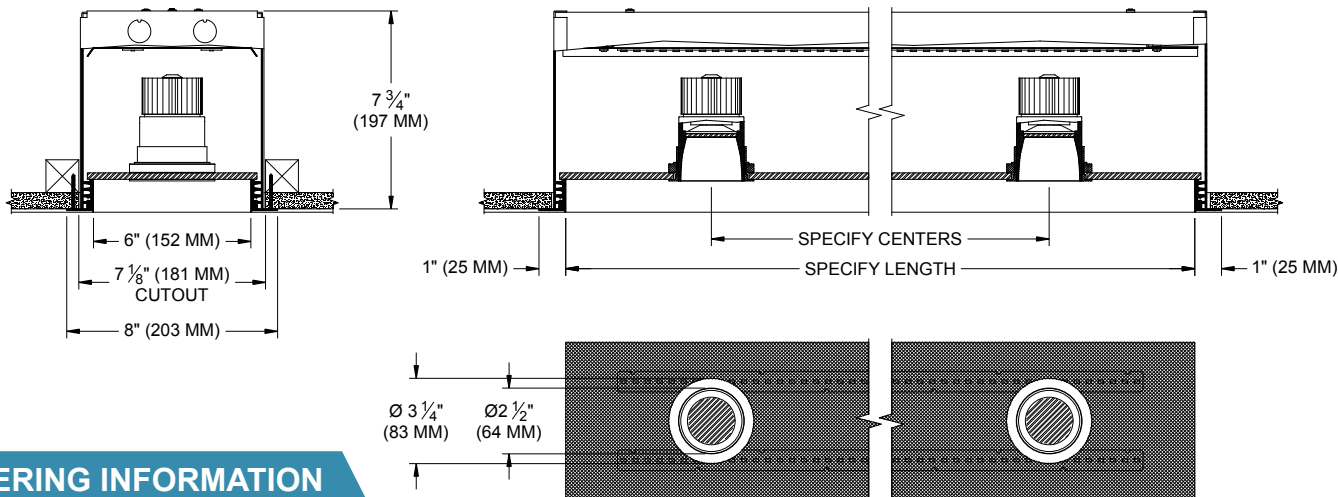
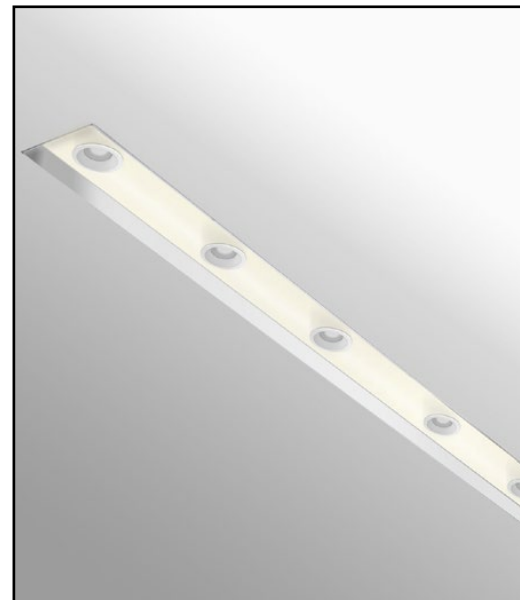
JOB: _____

SPECIFIER: _____

TYPE: _____

QUANTITY: _____

SIGNATURE: _____



ORDERING INFORMATION

3750-LED-PH	LENGTH	LAMP SPACING	LINEAR DRIVER*	ACCENT DRIVER	FINISH	APERTURE LENS
				CZ14 /		
Plaster Housing 8 = 80 CRI 27 = 2700K 9 = 90+CRI 30 = 3000K 35 = 3500K 40 = 4000K	2 = 2' (610mm) 4 = 4' (1219mm) 6 = 6' (1829mm) 8 = 8' (2438mm) CST= Custom (please advise) Min. 2' required for integral driver	4 = 4" (102mm) 6 = 6" (152mm) 8 = 8" (203mm) 12 = 12" (305mm) CST= Custom (please advise)	UN2 =120v-277v HE 0-10v Dim. 9W/ft 1100lm/ft 122LT2 =120v HE Ltrn 2 wire 9W/ft 1100lm/ft 122LT3 =120v HO Ltrn 3 wire 9W/ft 1100lm/ft	CZ14=120-277v, 14W 1100lm S1 =0-10V dimming, 1%, 120-277v T1 =TRIAC/ELV 2-wire, 3% 120v (Lead/Trail Edge) 120-277v E1 =EldoLED 0-10V Logarithmic Dim, 0.1%, 120-277v E2 =EldoLED DALI, 0.1%, 120-277v E3 =EldoLED 0-10V Linear Dim, 0.1%, 120-277v L2 =Ltrn Hi-lume 1% 2-wr LED driver (120v fwd phase) L3 =Lutron Hi-lume 1% 3-wire/EcoSystem, 120-277v LTB =Ltrn Hi-lume 1% EcoSys LED driver, 1%, 120-277v, Soft-on, Fade-to-Black	P14 = White PXX = SLI Color XXXX = RAL # CST = Custom	79A = Veiling Acrylic 72A = Opal Acrylic

*Lumen and watt output based on single LED Board per foot.

Patent Pending.

These specifications subject to change without notice.



www.specialtylightingindustries.com
1306 Doris Avenue, Ocean, NJ 07712 USA
800.462.7812 732.517.0800 FAX:732.517.0971