

Multi-lamp, solid state light engine, recessed, accent and linear downlight, nominal 6" (152mm) wide aperture and acrylic lens. Used to illuminate low to medium ceiling heights as general lighting.

**SPECIFICATIONS**

**HOUSING**

- Extruded aluminum with seamless welded and ground end plates

**MOUNTING**

- Recessed in sheetrock ceiling

**ELECTRICAL**

- Integral dimmable electronic driver with internal short circuit protection
- 120v-277v primary, compatible with 0-10v dimmers
- Also available for 120v phase control

**LAMP**

- LED supplied with fixture

**SOCKET**

- Circuit board mounted to extruded aluminum heatsink
- Inline connectors allow removal and replacement


**LENS**

- Acrylic diffusing lens
- Others available consult factory

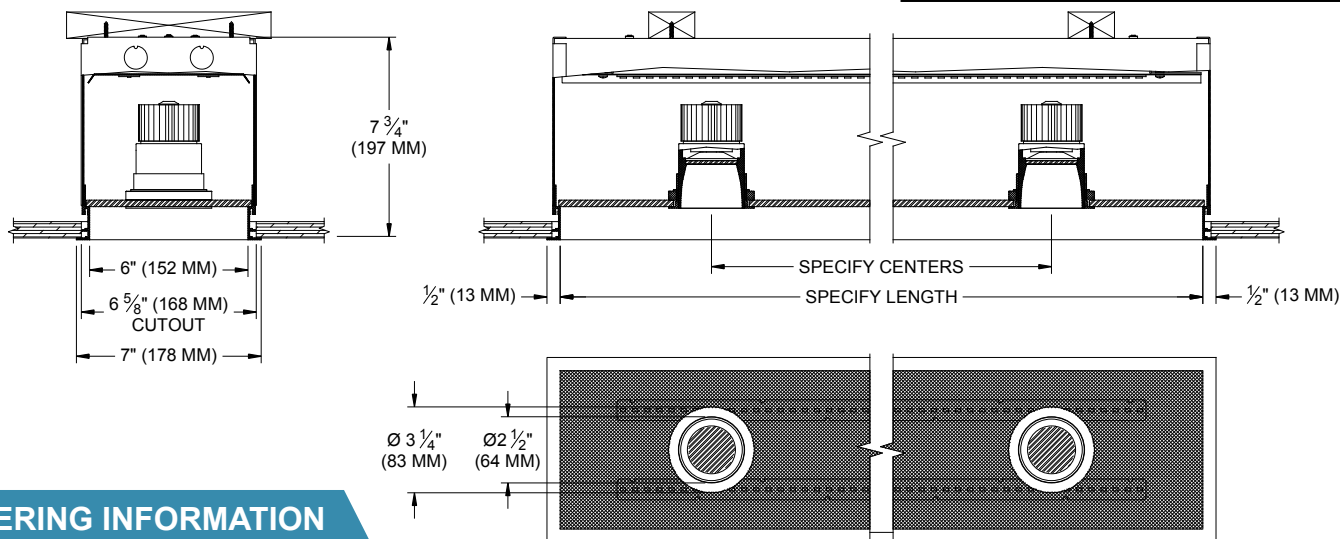
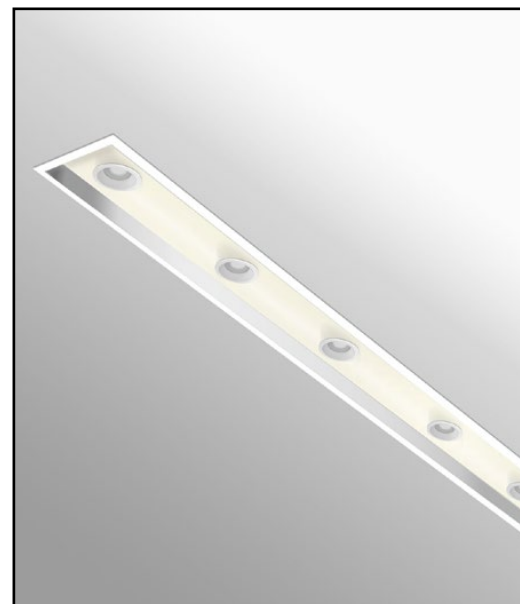
**FINISH**

- Custom finishes available

**LABELS**

-  US, US tested to UL standards 1598, Damp location

**JOB:** \_\_\_\_\_  
**SPECIFIER:** \_\_\_\_\_  
**TYPE:** \_\_\_\_\_  
**QUANTITY:** \_\_\_\_\_  
**SIGNATURE:** \_\_\_\_\_



**ORDERING INFORMATION**

3750-LED-FH	LENGTH	LAMP SPACING	LINEAR DRIVER*	ACCENT DRIVER	FINISH	APERTURE LENS
				<b>CZ14</b> /		
Flanged Housing 8 = 80 CRI 27 = 2700K 9 = 90+CRI 30 = 3000K 35 = 3500K 40 = 4000K	2 = 2' (610mm) 4 = 4' (1219mm) 6 = 6' (1829mm) 8 = 8' (2438mm) CST= Custom (please advise) Min. 2' required for integral driver	4 = 4" (102mm) 6 = 6" (152mm) 8 = 8" (203mm) 12 = 12" (305mm) CST= Custom (please advise)	UN2 =120v-277v HE 0-10v Dim. 9W/ft 1100lm/ft 122LT2 =120v HE Ltrn 2 wire 9W/ft 1100lm/ft 122LT3 =120v HO Ltrn 3 wire 9W/ft 1100lm/ft	<b>CZ14</b> =120-277v, 14W 1100lm S1 =0-10V dimming, 1%, 120-277v T1 =TRIAC/ELV 2-wire, 3% 120v (Lead/Trail Edge) E1 =EldoLED 0-10V Logarithmic Dim, 0.1%, 120-277v E2 =EldoLED DALI, 0.1%, 120-277v E3 =EldoLED 0-10V Linear Dim, 0.1%, 120-277v L2 =Ltrn Hi-lume 1% 2-wr LED driver (120v fwd phase) L3 =Lutron Hi-lume 1% 3-wire/EcoSystem, 120-277v LTB =Ltrn Hi-lume 1% EcoSys LED driver, 1%, 120-277v, Soft-on, Fade-to-Black	<b>P14</b> = White <b>PXX</b> = SLI Color <b>XXXX</b> = RAL # <b>CST</b> = Custom	<b>79A</b> = Veiling Acrylic <b>72A</b> = Opal Acrylic

\*Lumen and watt output based on single LED Board per foot.

Patent Pending.

These specifications subject to change without notice.



**www.specialtylightingindustries.com**  
 1306 Doris Avenue, Ocean, NJ 07712 USA  
 800.462.7812 732.517.0800 FAX:732.517.0971