

Multi-lamp, solid state light engine, recessed, linear downlight, nominal 6" (152mm) wide aperture and acrylic lens. Used to illuminate low to medium ceiling heights as general lighting.

SPECIFICATIONS

HOUSING

- Extruded aluminum with seamless welded and ground end plates

MOUNTING

- Recessed in sheetrock ceiling

ELECTRICAL

- Integral dimmable electronic driver with internal short circuit protection
- 120v-277v primary, compatible with 0-10v dimmers
- Also available for 120v phase control

LAMP

- LED supplied with fixture

SOCKET

- Circuit board mounted to extruded aluminum heatsink
- Inline connectors allow removal and replacement


LENS

- Acrylic diffusing lens
- Others available consult factory

FINISH

- Custom finishes available

LABELS

-  US tested to UL standards 1598, Damp location, Chicago Plenum

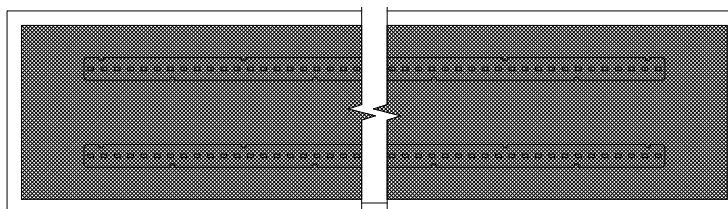
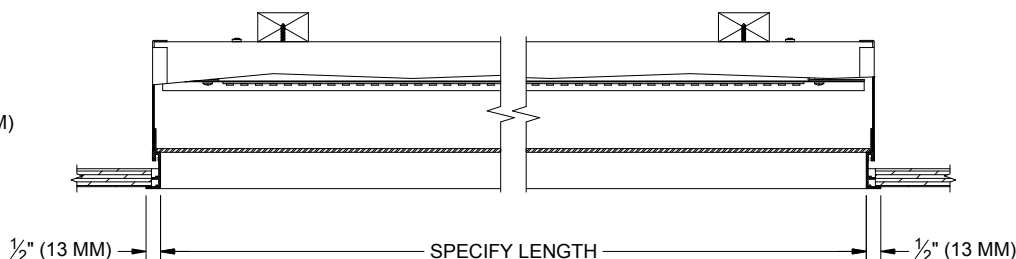
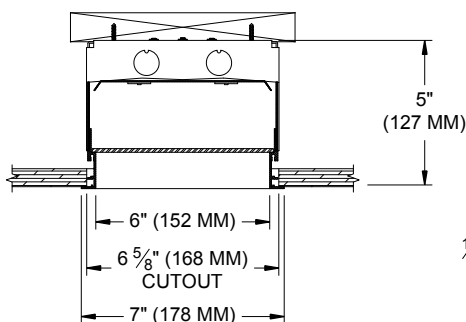
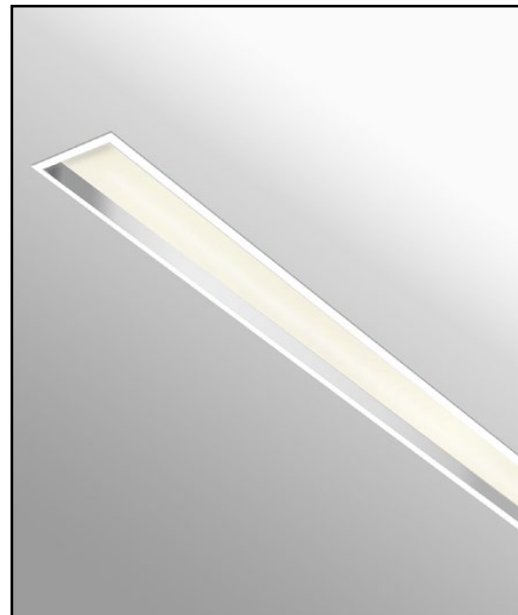
JOB: _____

SPECIFIER: _____

TYPE: _____

QUANTITY: _____

SIGNATURE: _____



ORDERING INFORMATION

3700-LED-FH	LENGTH	DRIVER*	FINISH	APERTURE LENS	ACCESSORIES
Flanged Housing 8 = 80 CRI 27 = 2700K 9 = 90+CRI 30 = 3000K 35 = 3500K 40 = 4000K	2 = 2' (610mm) 4 = 4' (1219mm) 6 = 6' (1829mm) 8 = 8' (2438mm) CST= Custom (please advise) Min. 2' required for integral driver	UN2 =120v-277v, 0-10v Dim. 9W/ft 1100lm/ft 122LT2 =120v, Lutron 2 wire 9W/ft 1100lm/ft 122LT3 =120v, Lutron 3 wire 9W/ft 1100lm/ft	P14 = White PXX = SLI Color XXXX = RAL # CST = Custom	79A = Veiling Acrylic 72A = Opal Acrylic	CP = Chicago Plenum

*Lumen and watt output based on single LED Board per foot.



Patent Pending.
 These specifications subject to change without notice.

www.specialtylightingindustries.com
 1306 Doris Avenue, Ocean, NJ 07712 USA
 800.462.7812 732.517.0800 FAX:732.517.0971