

Architecturally styled track head utilizing LED technology. Track mounted accent lighting elements. Heads are movable and units sold individually for maximum customization of fixture.

SPECIFICATIONS

HOUSING

- Die-cast construction with heat dissipating fins, for driver and LED package to optimize heat management

MOUNTING

- Track mounted within 3000 series housings

ELECTRICAL

- Integral dimmable electronic driver with internal short circuit protection
- Available for 120v phase control (ELV)

LAMP

- Citizen LED supplied with fixture
- Available in 2700 thru 4000K color temperature and 90+ CRI

SOCKET

- Precision aluminum yoke with CNC machined lampholder assembly
- Usocket™** allows easy field replacement of light engine


LENS

- Multiple beamspreads. Optional borosilicate lenses available for aperture.

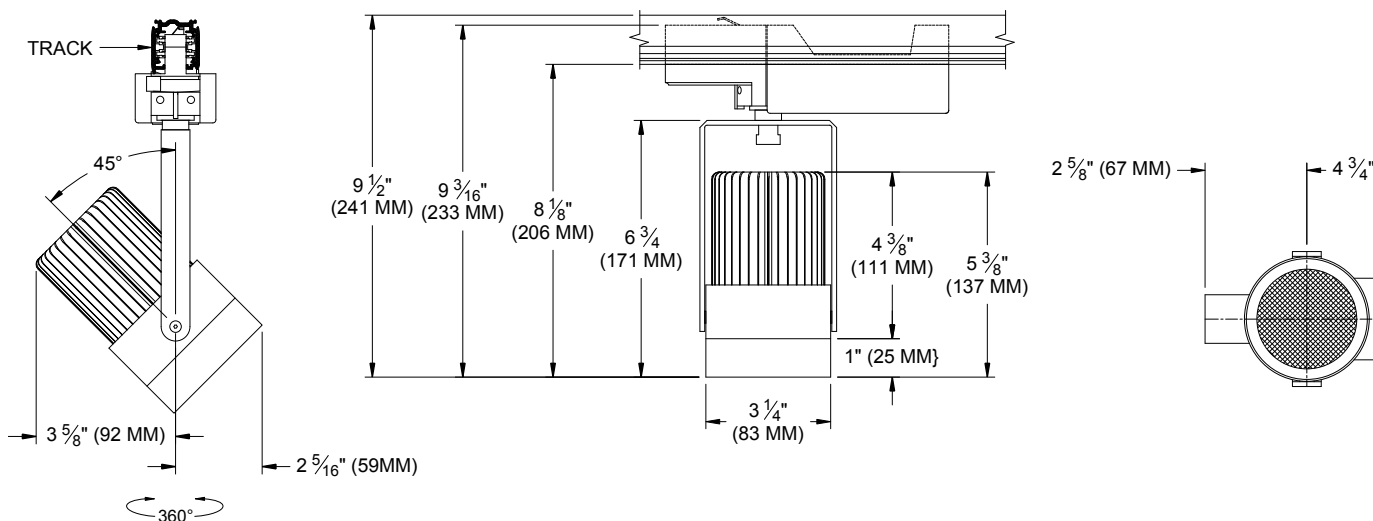
FINISH

- Available in black and white as standard
- Additional colors and RAL palette available
- Consult factory for custom finishes

LABELS

-  , US tested to UL standards 1598, Damp location

JOB: _____
 SPECIFIER: _____
 TYPE: _____
 QUANTITY: _____
 SIGNATURE: _____



ORDERING INFORMATION

3630-LEDZ	SOURCE / DRIVER	BEAMSPREAD	FINISH	LAMP LENS
Track Assembly 9 = 90+CRI 27 = 2700K 30 = 3000K 35 = 3500K 40 = 4000K	CZ14 DM2 = 350ma, 14W 1100 lm CZ20 DM2 = 500ma, 20W 1650 lm	10 = 10 Degrees 20 = 20 Degrees 30 = 30 Degrees	P14 = White BLK =Black ANA = Clear Aluminum CST = Custom	Blank = None 79A =Veiling Acrylic 91A = Solite 92A = Supertex 93A = Frosted



Patent Pending.
 These specifications subject to change without notice.

www.specialtylightingindustries.com
 1306 Doris Avenue, Ocean, NJ 07712 USA
 800.462.7812 732.517.0800 FAX:732.517.0971